

# STANDARD STRIP

# 76

## LED

CATALOG #:  
76-4-L32/835-DRV-UNV

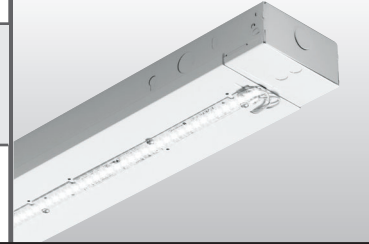
TYPE: A

PROJECT:  
ST. CLOUD ADULT DAY CARE

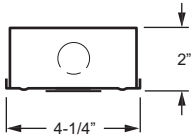
NOTES:  
LIGHT FIXTURE TYPE "A"

**EXAMPLE** → **76 - 4 - L53/840 - OPTIONS - DRV - UNV**

SERIES    NOMINAL LENGTH    LUMEN PACKAGE    CRI & CCT    OPTIONS    DRIVER    VOLTAGE



## CROSS SECTION



## ORDERING INFORMATION

### SERIES

**76** Standard Strip

### NOMINAL LENGTH

**4** 4'  
**8** 8'

### LED PACKAGE

EXAMPLE: L53/840			AVERAGE SYSTEM WATTAGE
LUMEN PACKAGE	NOMINAL LUMENS	MINIMUM CRI & CCT	
<b>4' UNIT</b>			
L32	3,200	835 = 82 CRI, 3500K 840 = 82 CRI, 4000K	28
L53	5,300		48
<b>8' UNIT</b>			
L64	6,400	850 = 82 CRI, 5000K	52
L106	10,600		96

Nominal lumens based on 3500K CCT, actual lumens may vary.

### OPTIONS

See back for **reflector options**.

**EM/10W (L\_\_)** 10-watt emergency driver (120V-277V only)  
Additional lower lumen packages available. Specify in increments of 100 nominal lumens. Option must be specified with next *higher* lumen package. **Example:** 8,000 nominal lumens = 76-8-L106/840-**(L80)**

**ALUM** .032" thick aluminum fixture, painted after fabrication

### ACCESSORIES

See Information section for **mounting accessories**.

**WG-7611** 11-gauge white powder coat wireguard  
**WG-7614** 14-gauge white powder coat wireguard  
**SS-12** Single stem and canopy, 12"  
**SWS-12** Swivel stem and canopy, 12"  
**DS-12** Double stem and canopy, 12"  
**320** 1-1/2" ceiling spacer  
**GAT** GAT fastener (T-bar clip)  
**VBY** (2) Y-hangers  
**VBY-2** (2) Y-hangers and (2) 2' chains

### DRIVER

Additional dimming drivers available, [see Information Section](#).

**DRV** Driver prewired for non-dimming applications  
**DIM** Driver prewired for 0-10V low voltage dimming applications

### VOLTAGE

**120** 120V  
**277** 277V  
**UNV** 120-277V  
**480** 480V with stepdown transformer (not available with EM option)

## FEATURES

- ▶ Available in 4' and 8' lengths.
- ▶ Channel connector furnished for continuous row applications (included with 8' units only).
- ▶ Special reflectors are available for glare control and cutoff.
- ▶ LED technology provides high efficacy and energy efficiency.
- ▶ Rated for 50,000 hours at 85% lumen maintenance (L85).
- ▶ Minimum 82 CRI; 3500K, 4000K, or 5000K CCT.
- ▶ This fixture is proudly made in the USA.



## LED

Catalog #: 76-4-L53/840-DRV-UNV

### SPECIFICATIONS

**Housing** – 22-gauge die-formed C.R.S.  
**Finish** – 92% minimum average reflective white polyester powder coat bonded to phosphate-free, multi-stage pretreated metal. All parts painted after fabrication to facilitate installation, increase efficiency, and inhibit corrosion.  
**Electrical** – High quality mid-power LED boards. L85 at 50,000 hours. 40°C maximum ambient operating temperature.  
**Mounting** – Surface or suspended.  
**Labels** – cCSAus certified as luminaire suitable for dry or damp locations.  
**Warranty** – 5-year limited warranty, see hew.com/warranty.

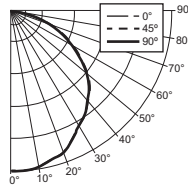
### IMPORTANT:

Electrostatic sensitive unit. Observe precautions when handling.

### LED PHOTOMETRY

#### TEST REPORT INFORMATION

- ▶ Test Report #: 18634.0
- ▶ Date: 02/11/15
- ▶ Lamp Type: LED
- ▶ **Rated Lumens: 5288**
- ▶ **Watts: 48**
- ▶ **Lumens Per Watt: 110.0**
- ▶ **CRI: 83.4**
- ▶ **CCT: 3975K**



#### CANDLEPOWER DISTRIBUTION

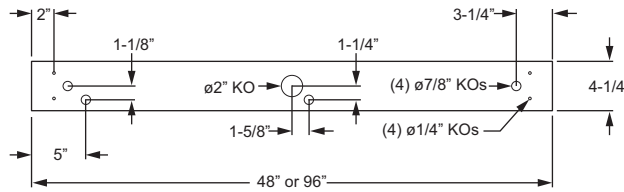
Vertical Angle	Horizontal Angle			Zonal Lumens
	0°	45°	90°	
0°	1817.	1817.	1817.	
5°	1823.	1821.	1821.	173.9
15°	1746.	1744.	1743.	494.5
25°	1622.	1617.	1616.	748.9
35°	1465.	1459.	1452.	916.7
45°	1277.	1268.	1266.	983.7
55°	984.	972.	966.	873.5
65°	688.	679.	652.	669.9
75°	349.	324.	324.	349.8
85°	77.	71.	71.	77.4
90°	4.	16.	18.	

#### LUMEN SUMMARY

Zone	Lumens	% Fixture
0° - 30°	1417.	26.8
0° - 40°	2334.	44.1
0° - 60°	4191.	79.3
0° - 90°	5288.	100.0
<b>Total Luminaire:</b>		
0° - 180°	5288.	100.0
IES Spacing Criteria: End = 1.3 Diagonal = 1.3 Across = 1.3		

### FIXTURE DETAILS

#### BACK VIEW



#### MOUNTING OPTIONS

<b>SS-12</b>	<b>SWS-12</b>	<b>DS-12</b>	<b>325</b>	<b>GAT</b>	<b>VBY or VBY-2</b>

### REFLECTOR DETAILS

R1015	R1172	R1324	R1684

**Note:** Drawings represent reflector style. Actual cross-section will vary depending on fixture configuration.



DLC qualified products listed at [www.designlights.org](http://www.designlights.org).

The U.S. Department of Energy's Lighting Facts® Program has verified product performance based on industry-standardized testing. For details, see H.E. Williams 76 series at [www.lightingfacts.com](http://www.lightingfacts.com).



# ARCHITECTURAL LED TROFFER – CURVED FLOATING CENTER

# AT1

CATALOG #:  
AT1-24-L55/835-P-DRV-UNV

TYPE:

2x2 | 2x4

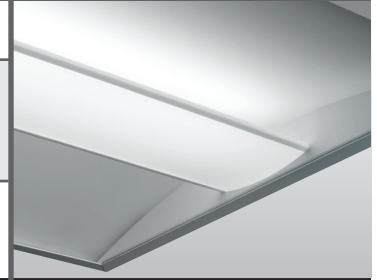
PROJECT:  
ST. CLOUD ADULT DAY CARE

NOTES:

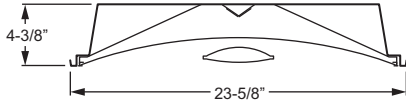
EXAMPLE

**AT1 - 2 4 - L70/835 - D - OPTIONS - DIM - UNV**

SERIES    NOM. NOM.    LUMEN    CRI &    SHIELDING    OPTIONS    DRIVER    VOLTAGE  
W.    L.    PACKAGE    CCT



## CROSS SECTION



## ORDERING INFORMATION

### SERIES

**AT1** Architectural LED Troffer – Curved Floating Center

### NOMINAL WIDTH

**2**    2'

### NOMINAL LENGTH

**2**    2'  
**4**    4'

### LED PACKAGE

LUMEN PACKAGE	EXAMPLE: L70/835		MINIMUM CRI & CCT	AVERAGE SYSTEM WATTAGE
	NOMINAL LUMENS D	NOMINAL LUMENS P		
<b>2X2</b>				
<b>L20</b>	2,000	1,700	<b>830</b> = 82 CRI, 3000K	20
<b>L30</b>	3,000	2,500		31
<b>L40</b>	4,000	3,200		43
<b>2X4</b>				
<b>L30</b>	3,000	2,600	<b>835</b> = 82 CRI, 3500K <b>840</b> = 82 CRI, 4000K	30
<b>L40</b>	4,000	3,400		41
<b>L55</b>	5,500	4,600		58
<b>L70</b>	7,000	6,000		70

Additional LED lumen packages available, see options.

### SHIELDING

**D** Diffuse matte acrylic center  
**P** Perforated center

### OPTIONS

**EM/10W** 10-watt emergency LED driver (120V-277V only)  
**EQCLIPS** Earthquake clips (4 per fixture)

**OCC\_\_** Integral occupancy and daylight sensor (OCC option is not available with SS option.);  
**OCCPH LRI1655 120/277**

**(L\_\_)** Additional lower lumen packages available. Specify in increments of 100 nominal lumens. Option must be specified with next higher lumen package.  
Example: 5,000 nominal lumens = AT1-24-L55/835-D-(L50).

**SS** Gasketed clear flat acrylic lens (OCC option is not available with SS option.)

**AMW** Anti-microbial white finish  
**NEMA F** NEMA Type "F" flange kit, factory-installed

### DRIVER

Additional dimming drivers available, [see Information Section](#).

**DRV** Driver prewired for non-dimming applications

**DIM** Driver prewired for 0-10V low-voltage dimming applications

### VOLTAGE

**120** 120V

**277** 277V

**UNV** 120-277V

**347** 347V (DRV and DIM only. Not available with EM drivers.)

## FEATURES

- ▶ Curved floating lens effect creates an appealing visual appearance.
- ▶ Matte white paint and diffuse lens combination provide pleasing architectural aesthetics with non-glare reflective surfaces
- ▶ Quiet and smooth illumination for visual comfort
- ▶ Hinged door frame with optical assembly swings down to allow easy access from room side of fixture
- ▶ Optional gasketed acrylic lens adds extra layer of protection
- ▶ Integral occupancy and daylight sensor available
- ▶ Minimum 82 CRI; 3000K, 3500K, or 4000K CCT
- ▶ This fixture is proudly made in the USA



2x2 | 2x4

Catalog #: **AT1-22-L40/835-D-DIM-UNV**

### SPECIFICATIONS

**Housing** – Precision die-formed 22-gauge C.R.S.  
**Door Frame** – Hinged, flat, extruded aluminum door frame with optical assembly.  
**Shielding** – Diffuse polycarbonate lens and acrylic center standard.  
**Finish** – 95% reflective white polyester powder coat bonded to phosphate-free, multi-stage pretreated metal. All parts painted after fabrication to facilitate installation, increase efficiency, and inhibit corrosion.  
**Electrical** – High quality mid-power LED boards. L70 >60,000 hours per IES TM-21.  
**Mounting** – NEMA Type "G" standard, NEMA Type "F" available.  
**Labels** – cETLus conforms to UL STD 1598 and UL STD 8750. Certified to CAN/CSA STD C22.2 No. 250.0. Suitable for damp locations.  
**Warranty** – 5-year limited warranty, see hew.com/warranty.

### IMPORTANT:

Electrostatic sensitive unit. Observe precautions when handling.

### LUMEN MAINTENANCE

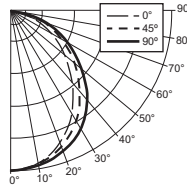
AMBIENT TEMP.	REPORTED L70 HOURS (TM-21)	CALCULATED HOURS		
		L70	L80	L90
2x2				
25°C	>60,000	98,000	60,000	27,000
2x4				
25°C	>60,000	86,000	54,000	26,000

- Predicted lumen maintenance calculated from LED manufacturer IES LM-80 data and in-situ temperature measurement.
- Reported L70 hours in accordance with IES TM-21

### PHOTOMETRY

#### TEST REPORT INFORMATION

- ▶ Test Report #: 18874.0
- ▶ Date: 06/02/15
- ▶ Lamp Type: LED
- ▶ **Rated Lumens: 3747**
- ▶ **Watts: 43**
- ▶ **Lumens Per Watt: 87.0**
- ▶ **CRI: 82**
- ▶ **CCT: 3500K**



#### CANDLEPOWER DISTRIBUTION

Vertical Angle	Horizontal Angle			Zonal Lumens
	0°	45°	90°	
0°	1452.	1452.	1452.	
5°	1448.	1443.	1444.	137.9
15°	1362.	1379.	1402.	391.3
25°	1200.	1250.	1319.	581.5
35°	987.	1085.	1180.	681.1
45°	757.	862.	960.	667.5
55°	544.	654.	723.	574.4
65°	341.	442.	509.	429.5
75°	165.	244.	273.	246.4
85°	28.	36.	33.	37.2
90°	0.	0.	0.	

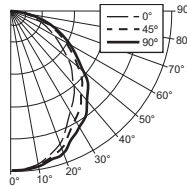
#### LUMEN SUMMARY

Zone	Lumens	% Fixture
0° - 30°	1111.	29.6
0° - 40°	1792.	47.8
0° - 60°	3034.	81.0
0° - 90°	3747.	100.0
<b>Total Luminaire:</b>		
0° - 180°	3747.	100.0
IES Spacing Criteria: End = 1.1 Across = 1.3 Diagonal = 1.2		

### PHOTOMETRY

#### TEST REPORT INFORMATION

- ▶ Test Report #: 18880.0
- ▶ Date: 06/10/15
- ▶ Lamp Type: LED
- ▶ **Rated Lumens: 6965**
- ▶ **Watts: 70**
- ▶ **Lumens Per Watt: 99.7**
- ▶ **CRI: 82**
- ▶ **CCT: 3500K**



#### CANDLEPOWER DISTRIBUTION

Vertical Angle	Horizontal Angle			Zonal Lumens
	0°	45°	90°	
0°	2634.	2634.	2634.	
5°	2614.	2614.	2618.	249.6
15°	2455.	2496.	2541.	707.7
25°	2125.	2230.	2347.	1033.7
35°	1785.	1971.	2134.	1234.3
45°	1403.	1640.	1781.	1250.2
55°	987.	1209.	1311.	1057.2
65°	650.	857.	920.	814.7
75°	338.	500.	514.	494.4
85°	101.	102.	107.	122.9
90°	0.	0.	0.	

#### LUMEN SUMMARY

Zone	Lumens	% Fixture
0° - 30°	1991.	28.6
0° - 40°	3225.	46.3
0° - 60°	5533.	79.4
0° - 90°	6965.	100.0
<b>Total Luminaire:</b>		
0° - 180°	6965.	100.0
IES Spacing Criteria: End = 1.1 Across = 1.3 Diagonal = 1.2		

### FIXTURE PERFORMANCE DATA

LUMEN PACKAGE	CCT	PERFORATED SHIELDING (P)		DIFFUSE ACRYLIC SHIELDING (D)	
		DELIVERED LUMENS	LUMINAIRE EFFICACY (lm/W)	DELIVERED LUMENS	LUMINAIRE EFFICACY (lm/W)
2x2					
L20	3000	1726	86.3	2031	101.6
	3500	1678	83.9	1974	98.7
	4000	1823	91.2	2145	107.3
L30	3000	2487	80.2	2926	94.4
	3500	2417	78.0	2843	91.7
	4000	2627	84.8	3091	99.7
L40	3000	3278	76.2	3856	89.7
	3500	3195	74.3	3747	87.1
	4000	3462	80.5	4073	94.7
2x4					
L30	3000	2629	87.6	3093	103.1
	3500	2622	87.4	3085	102.8
	4000	2772	92.4	3261	108.7
L40	3000	3411	83.2	4013	97.9
	3500	3403	83.0	4003	97.6
	4000	3596	87.7	4231	103.2
L55	3000	4639	80.0	5458	94.1
	3500	4628	79.8	5445	93.9
	4000	4891	84.3	5754	99.2
L70	3000	5935	84.8	6982	99.7
	3500	5882	84.0	6965	99.5
	4000	6257	89.4	7361	105.2

- Wattage shown is average for 120V through 277V input.
- Photometrics tested in accordance with IESNA LM-79. Results shown are based on 25C ambient temperature.
- Nominal lumen output based on 3500 CCT. Actual lumens may vary +/- 4% according to color temperature. See specific photometric test(s).

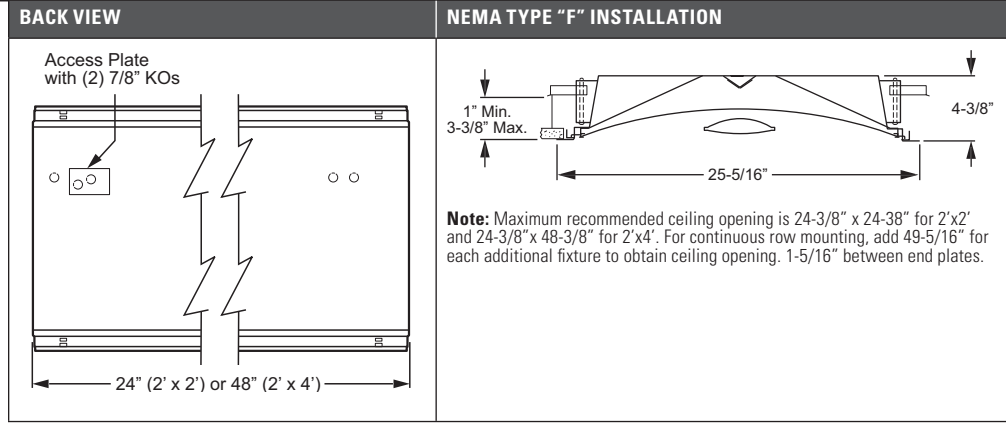


DLC qualified products listed at [www.designlights.org](http://www.designlights.org).

The U.S. Department of Energy's Lighting Facts® Program has verified product performance based on industry-standardized testing. For details, see H.E. Williams AT1 series at [www.lightingfacts.com](http://www.lightingfacts.com).



### FIXTURE DETAIL



### OCCUPANCY SENSOR DETAIL



# ARCHITECTURAL LED TROFFER – CURVED FLOATING CENTER

# AT1

CATALOG #:  
AT1-24-L30/835-P-DRV-UNV

TYPE:  
B1

2x2 | 2x4

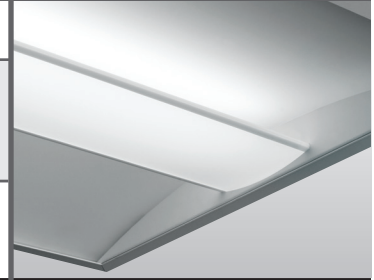
PROJECT:  
ST. CLOUD ADULT DAY CARE CENTER

NOTES:  
30 WATT LIGHT FIXTURE

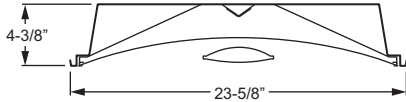
EXAMPLE

**AT1 - 24 - L70/835 - D - OPTIONS - DIM - UNV**

SERIES    NOM. NOM.    LUMEN    CRI &    SHIELDING    OPTIONS    DRIVER    VOLTAGE  
W.    L.    PACKAGE    CCT



## CROSS SECTION



## ORDERING INFORMATION

### SERIES

**AT1** Architectural LED Troffer – Curved Floating Center

### NOMINAL WIDTH

**2** 2'

### NOMINAL LENGTH

**2** 2'  
**4** 4'

### LED PACKAGE

LUMEN PACKAGE	EXAMPLE: L70/835		MINIMUM CRI & CCT	AVERAGE SYSTEM WATTAGE
	D	P		
<b>2X2</b>				
<b>L20</b>	2,000	1,700	<b>830</b> = 82 CRI, 3000K	20
<b>L30</b>	3,000	2,500		31
<b>L40</b>	4,000	3,200		43
<b>2X4</b>				
<b>L30</b>	3,000	2,600	<b>835</b> = 82 CRI, 3500K <b>840</b> = 82 CRI, 4000K	30
<b>L40</b>	4,000	3,400		41
<b>L55</b>	5,500	4,600		58
<b>L70</b>	7,000	6,000		70

Additional LED lumen packages available, see options.

### SHIELDING

**D** Diffuse matte acrylic center  
**P** Perforated center

### OPTIONS

**EM/10W** 10-watt emergency LED driver (120V-277V only)  
**EQCLIPS** Earthquake clips (4 per fixture)

**OCC\_\_** Integral occupancy and daylight sensor (OCC option is not available with SS option.);  
**OCCPH LRI1655 120/277**

**(L\_\_)** Additional lower lumen packages available. Specify in increments of 100 nominal lumens. Option must be specified with next higher lumen package.  
Example: 5,000 nominal lumens = AT1-24-L55/835-D-(**L50**).

**SS** Gasketed clear flat acrylic lens (OCC option is not available with SS option.)

**AMW** Anti-microbial white finish  
**NEMA F** NEMA Type "F" flange kit, factory-installed

### DRIVER

Additional dimming drivers available, [see Information Section](#).

**DRV** Driver prewired for non-dimming applications

**DIM** Driver prewired for 0-10V low-voltage dimming applications

### VOLTAGE

**120** 120V

**277** 277V

**UNV** 120-277V

**347** 347V (DRV and DIM only. Not available with EM drivers.)

## FEATURES

- ▶ Curved floating lens effect creates an appealing visual appearance.
- ▶ Matte white paint and diffuse lens combination provide pleasing architectural aesthetics with non-glare reflective surfaces
- ▶ Quiet and smooth illumination for visual comfort
- ▶ Hinged door frame with optical assembly swings down to allow easy access from room side of fixture
- ▶ Optional gasketed acrylic lens adds extra layer of protection
- ▶ Integral occupancy and daylight sensor available
- ▶ Minimum 82 CRI; 3000K, 3500K, or 4000K CCT
- ▶ This fixture is proudly made in the USA



2x2 | 2x4

Catalog #: AT1-22-L40/835-D-DIM-UNV

### SPECIFICATIONS

**Housing** – Precision die-formed 22-gauge C.R.S.  
**Door Frame** – Hinged, flat, extruded aluminum door frame with optical assembly.  
**Shielding** – Diffuse polycarbonate lens and acrylic center standard.  
**Finish** – 95% reflective white polyester powder coat bonded to phosphate-free, multi-stage pretreated metal. All parts painted after fabrication to facilitate installation, increase efficiency, and inhibit corrosion.  
**Electrical** – High quality mid-power LED boards. L70 >60,000 hours per IES TM-21.  
**Mounting** – NEMA Type "G" standard, NEMA Type "F" available.  
**Labels** – cETLus conforms to UL STD 1598 and UL STD 8750. Certified to CAN/CSA STD C22.2 No. 250.0. Suitable for damp locations.  
**Warranty** – 5-year limited warranty, see hew.com/warranty.

### IMPORTANT:

Electrostatic sensitive unit. Observe precautions when handling.

### LUMEN MAINTENANCE

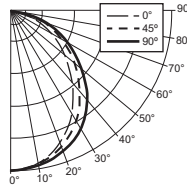
AMBIENT TEMP.	REPORTED L70 HOURS (TM-21)	CALCULATED HOURS		
		L70	L80	L90
2x2				
25°C	>60,000	98,000	60,000	27,000
2x4				
25°C	>60,000	86,000	54,000	26,000

- Predicted lumen maintenance calculated from LED manufacturer IES LM-80 data and in-situ temperature measurement.
- Reported L70 hours in accordance with IES TM-21

### PHOTOMETRY

#### TEST REPORT INFORMATION

- ▶ Test Report #: 18874.0
- ▶ Date: 06/02/15
- ▶ Lamp Type: LED
- ▶ **Rated Lumens: 3747**
- ▶ **Watts: 43**
- ▶ **Lumens Per Watt: 87.0**
- ▶ **CRI: 82**
- ▶ **CCT: 3500K**



#### CANDLEPOWER DISTRIBUTION

Vertical Angle	Horizontal Angle			Zonal Lumens
	0°	45°	90°	
0°	1452.	1452.	1452.	
5°	1448.	1443.	1444.	137.9
15°	1362.	1379.	1402.	391.3
25°	1200.	1250.	1319.	581.5
35°	987.	1085.	1180.	681.1
45°	757.	862.	960.	667.5
55°	544.	654.	723.	574.4
65°	341.	442.	509.	429.5
75°	165.	244.	273.	246.4
85°	28.	36.	33.	37.2
90°	0.	0.	0.	

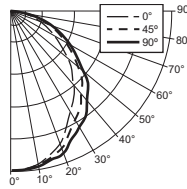
#### LUMEN SUMMARY

Zone	Lumens	% Fixture
0° - 30°	1111.	29.6
0° - 40°	1792.	47.8
0° - 60°	3034.	81.0
0° - 90°	3747.	100.0
<b>Total Luminaire:</b>		
0° - 180°	3747.	100.0
IES Spacing Criteria: End = 1.1 Across = 1.3 Diagonal = 1.2		

### PHOTOMETRY

#### TEST REPORT INFORMATION

- ▶ Test Report #: 18880.0
- ▶ Date: 06/10/15
- ▶ Lamp Type: LED
- ▶ **Rated Lumens: 6965**
- ▶ **Watts: 70**
- ▶ **Lumens Per Watt: 99.7**
- ▶ **CRI: 82**
- ▶ **CCT: 3500K**



#### CANDLEPOWER DISTRIBUTION

Vertical Angle	Horizontal Angle			Zonal Lumens
	0°	45°	90°	
0°	2634.	2634.	2634.	
5°	2614.	2614.	2618.	249.6
15°	2455.	2496.	2541.	707.7
25°	2125.	2230.	2347.	1033.7
35°	1785.	1971.	2134.	1234.3
45°	1403.	1640.	1781.	1250.2
55°	987.	1209.	1311.	1057.2
65°	650.	857.	920.	814.7
75°	338.	500.	514.	494.4
85°	101.	102.	107.	122.9
90°	0.	0.	0.	

#### LUMEN SUMMARY

Zone	Lumens	% Fixture
0° - 30°	1991.	28.6
0° - 40°	3225.	46.3
0° - 60°	5533.	79.4
0° - 90°	6965.	100.0
<b>Total Luminaire:</b>		
0° - 180°	6965.	100.0
IES Spacing Criteria: End = 1.1 Across = 1.3 Diagonal = 1.2		

### FIXTURE PERFORMANCE DATA

LUMEN PACKAGE	CCT	PERFORATED SHIELDING (P)		DIFFUSE ACRYLIC SHIELDING (D)	
		DELIVERED LUMENS	LUMINAIRE EFFICACY (lm/W)	DELIVERED LUMENS	LUMINAIRE EFFICACY (lm/W)
2x2					
L20	3000	1726	86.3	2031	101.6
	3500	1678	83.9	1974	98.7
	4000	1823	91.2	2145	107.3
L30	3000	2487	80.2	2926	94.4
	3500	2417	78.0	2843	91.7
	4000	2627	84.8	3091	99.7
L40	3000	3278	76.2	3856	89.7
	3500	3195	74.3	3747	87.1
	4000	3462	80.5	4073	94.7
2x4					
L30	3000	2629	87.6	3093	103.1
	3500	2622	87.4	3085	102.8
	4000	2772	92.4	3261	108.7
L40	3000	3411	83.2	4013	97.9
	3500	3403	83.0	4003	97.6
	4000	3596	87.7	4231	103.2
L55	3000	4639	80.0	5458	94.1
	3500	4628	79.8	5445	93.9
	4000	4891	84.3	5754	99.2
L70	3000	5935	84.8	6982	99.7
	3500	5882	84.0	6965	99.5
	4000	6257	89.4	7361	105.2

- Wattage shown is average for 120V through 277V input.
- Photometrics tested in accordance with IESNA LM-79. Results shown are based on 25C ambient temperature.
- Nominal lumen output based on 3500 CCT. Actual lumens may vary +/- 4% according to color temperature. See specific photometric test(s).



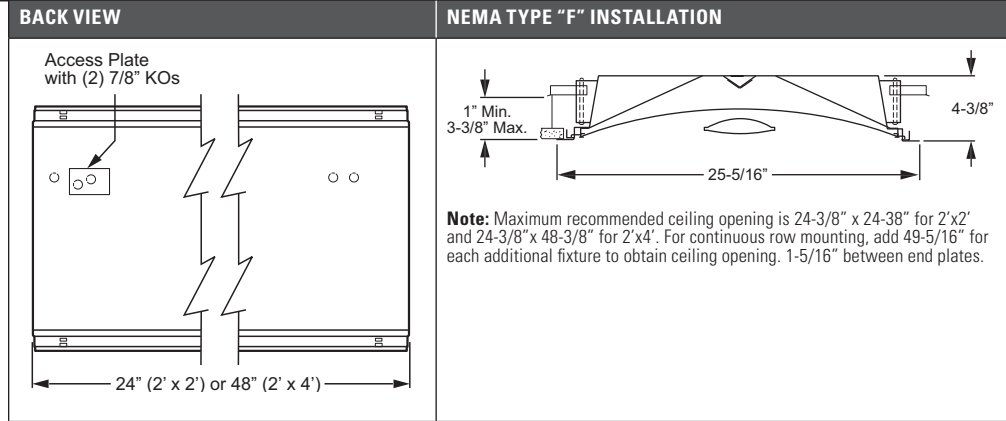
DLC qualified products listed at [www.designlights.org](http://www.designlights.org).

The U.S. Department of Energy's Lighting Facts® Program has verified product performance based on industry-standardized testing. For details, see H.E. Williams AT1 series at [www.lightingfacts.com](http://www.lightingfacts.com).



H. E. WILLIAMS, INC.

### FIXTURE DETAIL



### OCCUPANCY SENSOR DETAIL





# ARCHITECTURAL LED TROFFER – CURVED FLOATING CENTER

# AT1

CATALOG #:  
AT1-24-L55/835-P-EM/10W-DRV-UNV

TYPE:  
BE

2x2 | 2x4

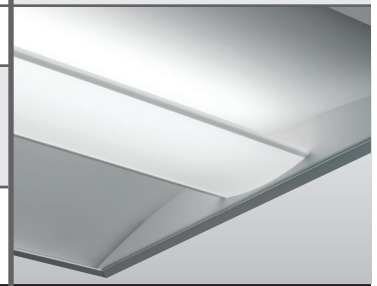
PROJECT:  
ST. CLOUD DAY CARE CENTER

NOTES:  
EMERGENCY 10 WATT DRIVER

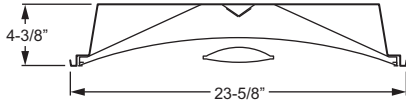
EXAMPLE

**AT1 - 2 4 - L70/835 - D - OPTIONS - DIM - UNV**

SERIES    NOM. W.    NOM. L.    LUMEN PACKAGE    CRI & CCT    SHIELDING    OPTIONS    DRIVER    VOLTAGE



## CROSS SECTION



## ORDERING INFORMATION

### SERIES

**AT1** Architectural LED Troffer – Curved Floating Center

### NOMINAL WIDTH

**2** 2'

### NOMINAL LENGTH

**2** 2'  
**4** 4'

### LED PACKAGE

EXAMPLE: L70/835				MINIMUM CRI & CCT	AVERAGE SYSTEM WATTAGE
LUMEN PACKAGE	NOMINAL LUMENS				
	D	P			
2X2				830 = 82 CRI, 3000K 835 = 82 CRI, 3500K 840 = 82 CRI, 4000K	
L20	2,000	1,700	20		
L30	3,000	2,500	31		
L40	4,000	3,200	43		
2X4					
L30	3,000	2,600	30		
L40	4,000	3,400	41		
L55	5,500	4,600	58		
L70	7,000	6,000	70		

Additional LED lumen packages available, see options.

### SHIELDING

**D** Diffuse matte acrylic center  
**P** Perforated center

### OPTIONS

**EM/10W** 10-watt emergency LED driver (120V-277V only)  
**EQCLIPS** Earthquake clips (4 per fixture)  
**OCC\_\_** Integral occupancy and daylight sensor (OCC option is not available with SS option.); **OCCPH LRI1655 120/277**  
**(L\_\_)** Additional lower lumen packages available. Specify in increments of 100 nominal lumens. Option must be specified with next higher lumen package.  
Example: 5,000 nominal lumens = AT1-24-L55/835-D-(L50).  
**SS** Gasketed clear flat acrylic lens (OCC option is not available with SS option.)  
**AMW** Anti-microbial white finish  
**NEMA F** NEMA Type "F" flange kit, factory-installed

### DRIVER

Additional dimming drivers available, [see Information Section](#).  
**DRV** Driver prewired for non-dimming applications  
**DIM** Driver prewired for 0-10V low-voltage dimming applications

### VOLTAGE

**120** 120V  
**277** 277V  
**UNV** 120-277V  
**347** 347V (DRV and DIM only. Not available with EM drivers.)

## FEATURES

- ▶ Curved floating lens effect creates an appealing visual appearance.
- ▶ Matte white paint and diffuse lens combination provide pleasing architectural aesthetics with non-glare reflective surfaces
- ▶ Quiet and smooth illumination for visual comfort
- ▶ Hinged door frame with optical assembly swings down to allow easy access from room side of fixture
- ▶ Optional gasketed acrylic lens adds extra layer of protection
- ▶ Integral occupancy and daylight sensor available
- ▶ Minimum 82 CRI; 3000K, 3500K, or 4000K CCT
- ▶ This fixture is proudly made in the USA



2x2 | 2x4

Catalog #: **AT1-22-L40/835-D-DIM-UNV**

### SPECIFICATIONS

**Housing** – Precision die-formed 22-gauge C.R.S.  
**Door Frame** – Hinged, flat, extruded aluminum door frame with optical assembly.  
**Shielding** – Diffuse polycarbonate lens and acrylic center standard.  
**Finish** – 95% reflective white polyester powder coat bonded to phosphate-free, multi-stage pretreated metal. All parts painted after fabrication to facilitate installation, increase efficiency, and inhibit corrosion.  
**Electrical** – High quality mid-power LED boards. L70 >60,000 hours per IES TM-21.  
**Mounting** – NEMA Type "G" standard, NEMA Type "F" available.  
**Labels** – cETLus conforms to UL STD 1598 and UL STD 8750. Certified to CAN/CSA STD C22.2 No. 250.0. Suitable for damp locations.  
**Warranty** – 5-year limited warranty, see hew.com/warranty.

### IMPORTANT:

Electrostatic sensitive unit. Observe precautions when handling.

### LUMEN MAINTENANCE

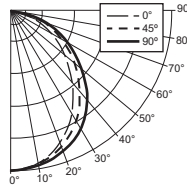
AMBIENT TEMP.	REPORTED L70 HOURS (TM-21)	CALCULATED HOURS		
		L70	L80	L90
2x2				
25°C	>60,000	98,000	60,000	27,000
2x4				
25°C	>60,000	86,000	54,000	26,000

- Predicted lumen maintenance calculated from LED manufacturer IES LM-80 data and in-situ temperature measurement.
- Reported L70 hours in accordance with IES TM-21

### PHOTOMETRY

#### TEST REPORT INFORMATION

- ▶ Test Report #: 18874.0
- ▶ Date: 06/02/15
- ▶ Lamp Type: LED
- ▶ **Rated Lumens: 3747**
- ▶ **Watts: 43**
- ▶ **Lumens Per Watt: 87.0**
- ▶ **CRI: 82**
- ▶ **CCT: 3500K**



#### CANDLEPOWER DISTRIBUTION

Vertical Angle	Horizontal Angle			Zonal Lumens
	0°	45°	90°	
0°	1452.	1452.	1452.	
5°	1448.	1443.	1444.	137.9
15°	1362.	1379.	1402.	391.3
25°	1200.	1250.	1319.	581.5
35°	987.	1085.	1180.	681.1
45°	757.	862.	960.	667.5
55°	544.	654.	723.	574.4
65°	341.	442.	509.	429.5
75°	165.	244.	273.	246.4
85°	28.	36.	33.	37.2
90°	0.	0.	0.	

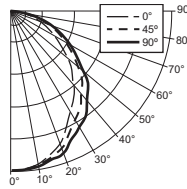
#### LUMEN SUMMARY

Zone	Lumens	% Fixture
0° - 30°	1111.	29.6
0° - 40°	1792.	47.8
0° - 60°	3034.	81.0
0° - 90°	3747.	100.0
<b>Total Luminaire:</b>		
0° - 180°	3747.	100.0
IES Spacing Criteria: End = 1.1 Across = 1.3 Diagonal = 1.2		

### PHOTOMETRY

#### TEST REPORT INFORMATION

- ▶ Test Report #: 18880.0
- ▶ Date: 06/10/15
- ▶ Lamp Type: LED
- ▶ **Rated Lumens: 6965**
- ▶ **Watts: 70**
- ▶ **Lumens Per Watt: 99.7**
- ▶ **CRI: 82**
- ▶ **CCT: 3500K**



#### CANDLEPOWER DISTRIBUTION

Vertical Angle	Horizontal Angle			Zonal Lumens
	0°	45°	90°	
0°	2634.	2634.	2634.	
5°	2614.	2614.	2618.	249.6
15°	2455.	2496.	2541.	707.7
25°	2125.	2230.	2347.	1033.7
35°	1785.	1971.	2134.	1234.3
45°	1403.	1640.	1781.	1250.2
55°	987.	1209.	1311.	1057.2
65°	650.	857.	920.	814.7
75°	338.	500.	514.	494.4
85°	101.	102.	107.	122.9
90°	0.	0.	0.	

#### LUMEN SUMMARY

Zone	Lumens	% Fixture
0° - 30°	1991.	28.6
0° - 40°	3225.	46.3
0° - 60°	5533.	79.4
0° - 90°	6965.	100.0
<b>Total Luminaire:</b>		
0° - 180°	6965.	100.0
IES Spacing Criteria: End = 1.1 Across = 1.3 Diagonal = 1.2		

### FIXTURE PERFORMANCE DATA

LUMEN PACKAGE	CCT	PERFORATED SHIELDING (P)		DIFFUSE ACRYLIC SHIELDING (D)	
		DELIVERED LUMENS	LUMINAIRE EFFICACY (lm/W)	DELIVERED LUMENS	LUMINAIRE EFFICACY (lm/W)
2x2					
L20	3000	1726	86.3	2031	101.6
	3500	1678	83.9	1974	98.7
	4000	1823	91.2	2145	107.3
L30	3000	2487	80.2	2926	94.4
	3500	2417	78.0	2843	91.7
	4000	2627	84.8	3091	99.7
L40	3000	3278	76.2	3856	89.7
	3500	3195	74.3	3747	87.1
	4000	3462	80.5	4073	94.7
2x4					
L30	3000	2629	87.6	3093	103.1
	3500	2622	87.4	3085	102.8
	4000	2772	92.4	3261	108.7
L40	3000	3411	83.2	4013	97.9
	3500	3403	83.0	4003	97.6
	4000	3596	87.7	4231	103.2
L55	3000	4639	80.0	5458	94.1
	3500	4628	79.8	5445	93.9
	4000	4891	84.3	5754	99.2
L70	3000	5935	84.8	6982	99.7
	3500	5882	84.0	6965	99.5
	4000	6257	89.4	7361	105.2

- Wattage shown is average for 120V through 277V input.
- Photometrics tested in accordance with IESNA LM-79. Results shown are based on 25C ambient temperature.
- Nominal lumen output based on 3500 CCT. Actual lumens may vary +/- 4% according to color temperature. See specific photometric test(s).

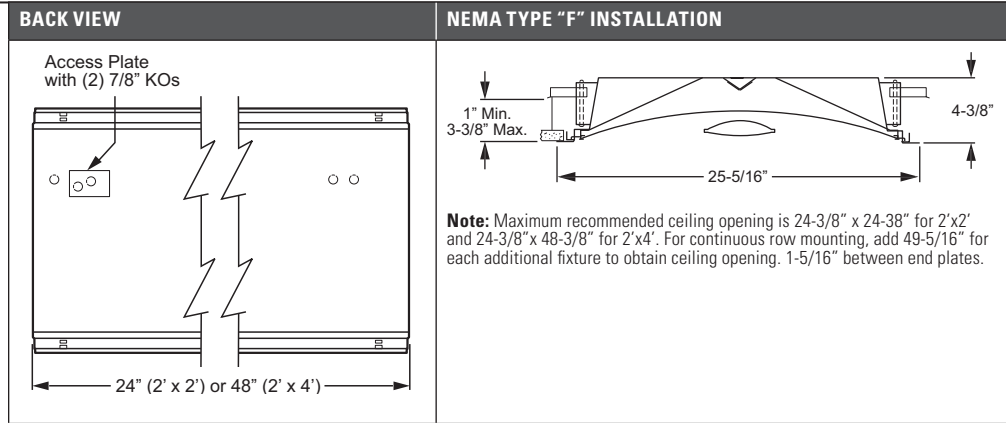


DLC qualified products listed at [www.designlights.org](http://www.designlights.org).

The U.S. Department of Energy's Lighting Facts® Program has verified product performance based on industry-standardized testing. For details, see H.E. Williams AT1 series at [www.lightingfacts.com](http://www.lightingfacts.com).



### FIXTURE DETAIL



### OCCUPANCY SENSOR DETAIL



# ARCHITECTURAL LED TROFFER – CURVED FLOATING CENTER

# AT1

CATALOG #:  
AT1-24-L30/835-P-DIM-UNV

TYPE:

2x2 | 2x4

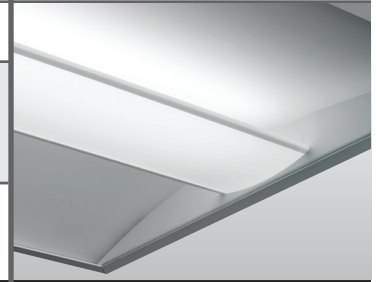
PROJECT:  
ST. CLOUD DAY CARE CENTER

NOTES:  
0 TO 10 VOLT DIMMABLE DRIVER

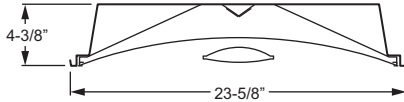
EXAMPLE

**AT1 - 24 - L70/835 - D - OPTIONS - DIM - UNV**

SERIES    NOM. NOM.    LUMEN    CRI &    SHIELDING    OPTIONS    DRIVER    VOLTAGE  
W.    L.    PACKAGE    CCT



## CROSS SECTION



## ORDERING INFORMATION

### SERIES

**AT1** Architectural LED Troffer – Curved Floating Center

### NOMINAL WIDTH

**2** 2'

### NOMINAL LENGTH

**2** 2'  
**4** 4'

### LED PACKAGE

LUMEN PACKAGE	EXAMPLE: L70/835		MINIMUM CRI & CCT	AVERAGE SYSTEM WATTAGE
	D	P		
<b>2X2</b>				
<b>L20</b>	2,000	1,700	<b>830</b> = 82 CRI, 3000K	20
<b>L30</b>	3,000	2,500		31
<b>L40</b>	4,000	3,200		43
<b>2X4</b>				
<b>L30</b>	3,000	2,600	<b>835</b> = 82 CRI, 3500K <b>840</b> = 82 CRI, 4000K	30
<b>L40</b>	4,000	3,400		41
<b>L55</b>	5,500	4,600		58
<b>L70</b>	7,000	6,000		70

Additional LED lumen packages available, see options.

### SHIELDING

**D** Diffuse matte acrylic center  
**P** Perforated center

### OPTIONS

**EM/10W** 10-watt emergency LED driver (120V-277V only)  
**EQCLIPS** Earthquake clips (4 per fixture)  
**OCC\_\_** Integral occupancy and daylight sensor (OCC option is not available with SS option.);  
**OCCPH LRI1655 120/277**  
**(L\_\_)** Additional lower lumen packages available. Specify in increments of 100 nominal lumens. Option must be specified with next higher lumen package.  
Example: 5,000 nominal lumens = AT1-24-L55/835-D-(L50).  
**SS** Gasketed clear flat acrylic lens (OCC option is not available with SS option.)  
**AMW** Anti-microbial white finish  
**NEMA F** NEMA Type "F" flange kit, factory-installed

### DRIVER

Additional dimming drivers available, [see Information Section](#).  
**DRV** Driver prewired for non-dimming applications  
**DIM** Driver prewired for 0-10V low-voltage dimming applications

### VOLTAGE

**120** 120V  
**277** 277V  
**UNV** 120-277V  
**347** 347V (DRV and DIM only. Not available with EM drivers.)

## FEATURES

- ▶ Curved floating lens effect creates an appealing visual appearance.
- ▶ Matte white paint and diffuse lens combination provide pleasing architectural aesthetics with non-glare reflective surfaces
- ▶ Quiet and smooth illumination for visual comfort
- ▶ Hinged door frame with optical assembly swings down to allow easy access from room side of fixture
- ▶ Optional gasketed acrylic lens adds extra layer of protection
- ▶ Integral occupancy and daylight sensor available
- ▶ Minimum 82 CRI; 3000K, 3500K, or 4000K CCT
- ▶ This fixture is proudly made in the USA



2x2 | 2x4

Catalog #: AT1-22-L40/835-D-DIM-UNV

### SPECIFICATIONS

**Housing** – Precision die-formed 22-gauge C.R.S.  
**Door Frame** – Hinged, flat, extruded aluminum door frame with optical assembly.  
**Shielding** – Diffuse polycarbonate lens and acrylic center standard.  
**Finish** – 95% reflective white polyester powder coat bonded to phosphate-free, multi-stage pretreated metal. All parts painted after fabrication to facilitate installation, increase efficiency, and inhibit corrosion.  
**Electrical** – High quality mid-power LED boards. L70 >60,000 hours per IES TM-21.  
**Mounting** – NEMA Type "G" standard, NEMA Type "F" available.  
**Labels** – cETLus conforms to UL STD 1598 and UL STD 8750. Certified to CAN/CSA STD C22.2 No. 250.0. Suitable for damp locations.  
**Warranty** – 5-year limited warranty, see hew.com/warranty.

### IMPORTANT:

Electrostatic sensitive unit. Observe precautions when handling.

### LUMEN MAINTENANCE

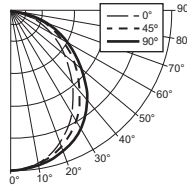
AMBIENT TEMP.	REPORTED L70 HOURS (TM-21)	CALCULATED HOURS		
		L70	L80	L90
2x2				
25°C	>60,000	98,000	60,000	27,000
2x4				
25°C	>60,000	86,000	54,000	26,000

- Predicted lumen maintenance calculated from LED manufacturer IES LM-80 data and in-situ temperature measurement.
- Reported L70 hours in accordance with IES TM-21

### PHOTOMETRY

#### TEST REPORT INFORMATION

- ▶ Test Report #: 18874.0
- ▶ Date: 06/02/15
- ▶ Lamp Type: LED
- ▶ **Rated Lumens: 3747**
- ▶ **Watts: 43**
- ▶ **Lumens Per Watt: 87.0**
- ▶ **CRI: 82**
- ▶ **CCT: 3500K**



#### CANDLEPOWER DISTRIBUTION

Vertical Angle	Horizontal Angle			Zonal Lumens
	0°	45°	90°	
0°	1452.	1452.	1452.	
5°	1448.	1443.	1444.	137.9
15°	1362.	1379.	1402.	391.3
25°	1200.	1250.	1319.	581.5
35°	987.	1085.	1180.	681.1
45°	757.	862.	960.	667.5
55°	544.	654.	723.	574.4
65°	341.	442.	509.	429.5
75°	165.	244.	273.	246.4
85°	28.	36.	33.	37.2
90°	0.	0.	0.	

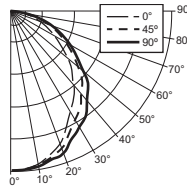
#### LUMEN SUMMARY

Zone	Lumens	% Fixture
0° - 30°	1111.	29.6
0° - 40°	1792.	47.8
0° - 60°	3034.	81.0
0° - 90°	3747.	100.0
<b>Total Luminaire:</b>		
0° - 180°	3747.	100.0
IES Spacing Criteria: End = 1.1 Across = 1.3 Diagonal = 1.2		

### PHOTOMETRY

#### TEST REPORT INFORMATION

- ▶ Test Report #: 18880.0
- ▶ Date: 06/10/15
- ▶ Lamp Type: LED
- ▶ **Rated Lumens: 6965**
- ▶ **Watts: 70**
- ▶ **Lumens Per Watt: 99.7**
- ▶ **CRI: 82**
- ▶ **CCT: 3500K**



#### CANDLEPOWER DISTRIBUTION

Vertical Angle	Horizontal Angle			Zonal Lumens
	0°	45°	90°	
0°	2634.	2634.	2634.	
5°	2614.	2614.	2618.	249.6
15°	2455.	2496.	2541.	707.7
25°	2125.	2230.	2347.	1033.7
35°	1785.	1971.	2134.	1234.3
45°	1403.	1640.	1781.	1250.2
55°	987.	1209.	1311.	1057.2
65°	650.	857.	920.	814.7
75°	338.	500.	514.	494.4
85°	101.	102.	107.	122.9
90°	0.	0.	0.	

#### LUMEN SUMMARY

Zone	Lumens	% Fixture
0° - 30°	1991.	28.6
0° - 40°	3225.	46.3
0° - 60°	5533.	79.4
0° - 90°	6965.	100.0
<b>Total Luminaire:</b>		
0° - 180°	6965.	100.0
IES Spacing Criteria: End = 1.1 Across = 1.3 Diagonal = 1.2		

### FIXTURE PERFORMANCE DATA

LUMEN PACKAGE	CCT	PERFORATED SHIELDING (P)		DIFFUSE ACRYLIC SHIELDING (D)	
		DELIVERED LUMENS	LUMINAIRE EFFICACY (lm/W)	DELIVERED LUMENS	LUMINAIRE EFFICACY (lm/W)
2x2					
L20	3000	1726	86.3	2031	101.6
	3500	1678	83.9	1974	98.7
	4000	1823	91.2	2145	107.3
L30	3000	2487	80.2	2926	94.4
	3500	2417	78.0	2843	91.7
	4000	2627	84.8	3091	99.7
L40	3000	3278	76.2	3856	89.7
	3500	3195	74.3	3747	87.1
	4000	3462	80.5	4073	94.7
2x4					
L30	3000	2629	87.6	3093	103.1
	3500	2622	87.4	3085	102.8
	4000	2772	92.4	3261	108.7
L40	3000	3411	83.2	4013	97.9
	3500	3403	83.0	4003	97.6
	4000	3596	87.7	4231	103.2
L55	3000	4639	80.0	5458	94.1
	3500	4628	79.8	5445	93.9
	4000	4891	84.3	5754	99.2
L70	3000	5935	84.8	6982	99.7
	3500	5882	84.0	6965	99.5
	4000	6257	89.4	7361	105.2

- Wattage shown is average for 120V through 277V input.
- Photometrics tested in accordance with IESNA LM-79. Results shown are based on 25C ambient temperature.
- Nominal lumen output based on 3500 CCT. Actual lumens may vary +/- 4% according to color temperature. See specific photometric test(s).



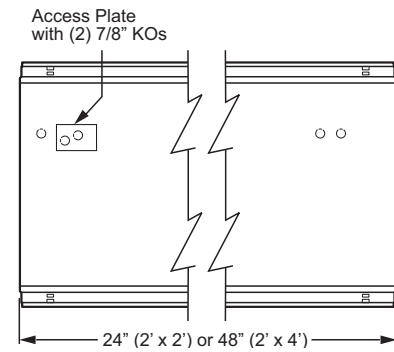
DLC qualified products listed at [www.designlights.org](http://www.designlights.org).

The U.S. Department of Energy's Lighting Facts® Program has verified product performance based on industry-standardized testing. For details, see H.E. Williams AT1 series at [www.lightingfacts.com](http://www.lightingfacts.com).

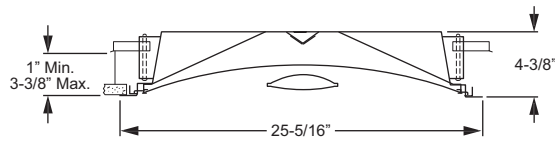


### FIXTURE DETAIL

#### BACK VIEW



#### NEMA TYPE "F" INSTALLATION



**Note:** Maximum recommended ceiling opening is 24-3/8" x 24-38" for 2'x2' and 24-3/8" x 48-3/8" for 2'x4'. For continuous row mounting, add 49-5/16" for each additional fixture to obtain ceiling opening. 1-5/16" between end plates.

### OCCUPANCY SENSOR DETAIL



# ARCHITECTURAL LED TROFFER – CURVED FLOATING CENTER

# AT1

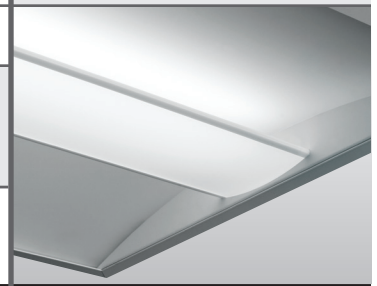
CATALOG #:  
AT1-24-L30/835-P-EM/10W-DIM-UNV

TYPE:  
CE

2x2 | 2x4

PROJECT:  
ST. CLOUD ADULT DAY CARE CENTER

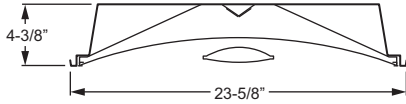
NOTES:  
DIMMABLE DRIVER AND EMERGENCY DRIVER



**EXAMPLE** **AT1** - **2 4** - **L70/835** - **D** - **OPTIONS** - **DIM** - **UNV**

SERIES    NOM. NOM.    LUMEN    CRI &    SHIELDING    OPTIONS    DRIVER    VOLTAGE  
W.    L.    PACKAGE    CCT

## CROSS SECTION



## ORDERING INFORMATION

**SERIES**  
**AT1** Architectural LED Troffer – Curved Floating Center

**NOMINAL WIDTH**  
2      2'

**NOMINAL LENGTH**  
2      2'  
4      4'

### LED PACKAGE

LUMEN PACKAGE	EXAMPLE: L70/835		MINIMUM CRI & CCT	AVERAGE SYSTEM WATTAGE
	NOMINAL LUMENS D	NOMINAL LUMENS P		
<b>2X2</b>				
L20	2,000	1,700	830 = 82 CRI, 3000K	20
L30	3,000	2,500		31
L40	4,000	3,200		43
<b>2X4</b>				
L30	3,000	2,600	835 = 82 CRI, 3500K	30
L40	4,000	3,400	840 = 82 CRI, 4000K	41
L55	5,500	4,600		58
L70	7,000	6,000		70

Additional LED lumen packages available, see options.

### SHIELDING

**D** Diffuse matte acrylic center  
**P** Perforated center

### OPTIONS

**EM/10W EQCLIPS** 10-watt emergency LED driver (120V-277V only) Earthquake clips (4 per fixture)

**OCC\_\_** Integral occupancy and daylight sensor (OCC option is not available with SS option.); **OCCPH LRI1655 120/277**

**(L\_\_)** Additional lower lumen packages available. Specify in increments of 100 nominal lumens. Option must be specified with next higher lumen package.  
Example: 5,000 nominal lumens = AT1-24-L55/835-D-(L50).

**SS** Gasketed clear flat acrylic lens (OCC option is not available with SS option.)

**AMW** Anti-microbial white finish

**NEMA F** NEMA Type "F" flange kit, factory-installed

### DRIVER

Additional dimming drivers available, [see Information Section](#).

**DRV** Driver prewired for non-dimming applications

**DIM** Driver prewired for 0-10V low-voltage dimming applications

### VOLTAGE

**120** 120V  
**277** 277V  
**UNV** 120-277V  
**347** 347V (DRV and DIM only. Not available with EM drivers.)

## FEATURES

- ▶ Curved floating lens effect creates an appealing visual appearance.
- ▶ Matte white paint and diffuse lens combination provide pleasing architectural aesthetics with non-glare reflective surfaces
- ▶ Quiet and smooth illumination for visual comfort
- ▶ Hinged door frame with optical assembly swings down to allow easy access from room side of fixture
- ▶ Optional gasketed acrylic lens adds extra layer of protection
- ▶ Integral occupancy and daylight sensor available
- ▶ Minimum 82 CRI; 3000K, 3500K, or 4000K CCT
- ▶ This fixture is proudly made in the USA



2x2 | 2x4

Catalog #: **AT1-22-L40/835-D-DIM-UNV**

### SPECIFICATIONS

**Housing** – Precision die-formed 22-gauge C.R.S.  
**Door Frame** – Hinged, flat, extruded aluminum door frame with optical assembly.  
**Shielding** – Diffuse polycarbonate lens and acrylic center standard.  
**Finish** – 95% reflective white polyester powder coat bonded to phosphate-free, multi-stage pretreated metal. All parts painted after fabrication to facilitate installation, increase efficiency, and inhibit corrosion.  
**Electrical** – High quality mid-power LED boards. L70 >60,000 hours per IES TM-21.  
**Mounting** – NEMA Type "G" standard, NEMA Type "F" available.  
**Labels** – cETLus conforms to UL STD 1598 and UL STD 8750. Certified to CAN/CSA STD C22.2 No. 250.0. Suitable for damp locations.  
**Warranty** – 5-year limited warranty, see hew.com/warranty.

### IMPORTANT:

Electrostatic sensitive unit. Observe precautions when handling.

### LUMEN MAINTENANCE

AMBIENT TEMP.	REPORTED L70 HOURS (TM-21)	CALCULATED HOURS		
		L70	L80	L90
2x2				
25°C	>60,000	98,000	60,000	27,000
2x4				
25°C	>60,000	86,000	54,000	26,000

- Predicted lumen maintenance calculated from LED manufacturer IES LM-80 data and in-situ temperature measurement.
- Reported L70 hours in accordance with IES TM-21



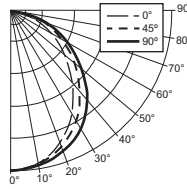
DLC qualified products listed at [www.designlights.org](http://www.designlights.org).

The U.S. Department of Energy's Lighting Facts® Program has verified product performance based on industry-standardized testing. For details, see H.E. Williams AT1 series at [www.lightingfacts.com](http://www.lightingfacts.com).

### PHOTOMETRY

#### TEST REPORT INFORMATION

- ▶ Test Report #: 18874.0
- ▶ Date: 06/02/15
- ▶ Lamp Type: LED
- ▶ **Rated Lumens: 3747**
- ▶ **Watts: 43**
- ▶ **Lumens Per Watt: 87.0**
- ▶ **CRI: 82**
- ▶ **CCT: 3500K**



#### CANDLEPOWER DISTRIBUTION

Vertical Angle	Horizontal Angle			Zonal Lumens
	0°	45°	90°	
0°	1452.	1452.	1452.	
5°	1448.	1443.	1444.	137.9
15°	1362.	1379.	1402.	391.3
25°	1200.	1250.	1319.	581.5
35°	987.	1085.	1180.	681.1
45°	757.	862.	960.	667.5
55°	544.	654.	723.	574.4
65°	341.	442.	509.	429.5
75°	165.	244.	273.	246.4
85°	28.	36.	33.	37.2
90°	0.	0.	0.	

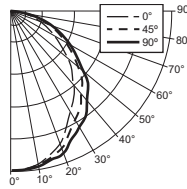
#### LUMEN SUMMARY

Zone	Lumens	% Fixture
0° - 30°	1111.	29.6
0° - 40°	1792.	47.8
0° - 60°	3034.	81.0
0° - 90°	3747.	100.0
<b>Total Luminaire:</b>		
0° - 180°	3747.	100.0
IES Spacing Criteria: End = 1.1 Across = 1.3 Diagonal = 1.2		

### PHOTOMETRY

#### TEST REPORT INFORMATION

- ▶ Test Report #: 18880.0
- ▶ Date: 06/10/15
- ▶ Lamp Type: LED
- ▶ **Rated Lumens: 6965**
- ▶ **Watts: 70**
- ▶ **Lumens Per Watt: 99.7**
- ▶ **CRI: 82**
- ▶ **CCT: 3500K**



#### CANDLEPOWER DISTRIBUTION

Vertical Angle	Horizontal Angle			Zonal Lumens
	0°	45°	90°	
0°	2634.	2634.	2634.	
5°	2614.	2614.	2618.	249.6
15°	2455.	2496.	2541.	707.7
25°	2125.	2230.	2347.	1033.7
35°	1785.	1971.	2134.	1234.3
45°	1403.	1640.	1781.	1250.2
55°	987.	1209.	1311.	1057.2
65°	650.	857.	920.	814.7
75°	338.	500.	514.	494.4
85°	101.	102.	107.	122.9
90°	0.	0.	0.	

#### LUMEN SUMMARY

Zone	Lumens	% Fixture
0° - 30°	1991.	28.6
0° - 40°	3225.	46.3
0° - 60°	5533.	79.4
0° - 90°	6965.	100.0
<b>Total Luminaire:</b>		
0° - 180°	6965.	100.0
IES Spacing Criteria: End = 1.1 Across = 1.3 Diagonal = 1.2		

### FIXTURE PERFORMANCE DATA

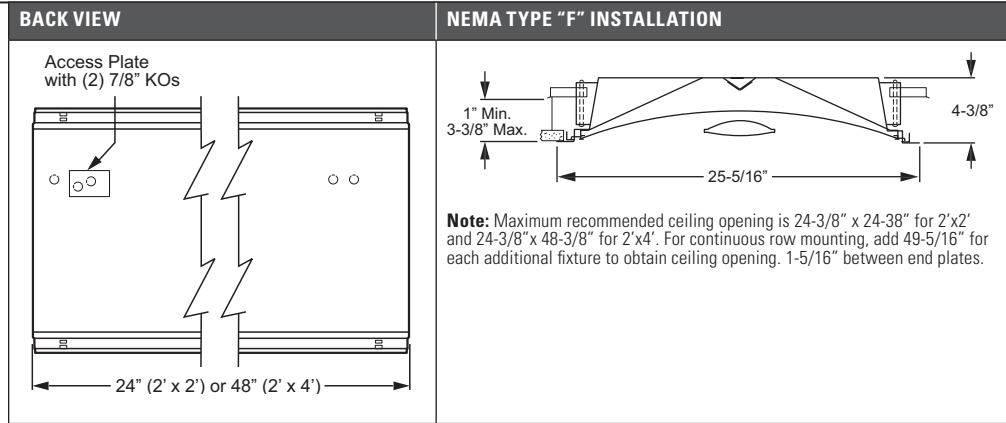
LUMEN PACKAGE	CCT	PERFORATED SHIELDING (P)		DIFFUSE ACRYLIC SHIELDING (D)	
		DELIVERED LUMENS	LUMINAIRE EFFICACY (lm/W)	DELIVERED LUMENS	LUMINAIRE EFFICACY (lm/W)
2x2					
L20	3000	1726	86.3	2031	101.6
	3500	1678	83.9	1974	98.7
	4000	1823	91.2	2145	107.3
L30	3000	2487	80.2	2926	94.4
	3500	2417	78.0	2843	91.7
	4000	2627	84.8	3091	99.7
L40	3000	3278	76.2	3856	89.7
	3500	3195	74.3	3747	87.1
	4000	3462	80.5	4073	94.7
2x4					
L30	3000	2629	87.6	3093	103.1
	3500	2622	87.4	3085	102.8
	4000	2772	92.4	3261	108.7
L40	3000	3411	83.2	4013	97.9
	3500	3403	83.0	4003	97.6
	4000	3596	87.7	4231	103.2
L55	3000	4639	80.0	5458	94.1
	3500	4628	79.8	5445	93.9
	4000	4891	84.3	5754	99.2
L70	3000	5935	84.8	6982	99.7
	3500	5882	84.0	6965	99.5
	4000	6257	89.4	7361	105.2

- Wattage shown is average for 120V through 277V input.
- Photometrics tested in accordance with IESNA LM-79. Results shown are based on 25C ambient temperature.
- Nominal lumen output based on 3500 CCT. Actual lumens may vary +/- 4% according to color temperature. See specific photometric test(s).





### FIXTURE DETAIL



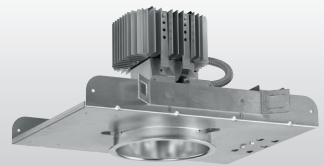
### OCCUPANCY SENSOR DETAIL



# 6" ROUND LED DOWNLIGHT

# L60

## LED



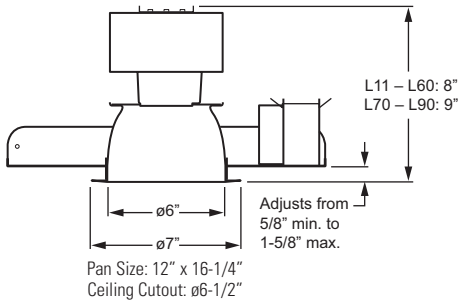
CATALOG #: L60-L40C/835-M-DIM-120 TYPE: D

PROJECT: ST. CLOUD ADULT CAY CARE CENTER NOTES: DOWN LIGHT WITH DAMMABLE DRIVER

**EXAMPLE** **L60** - **L40C/835** - **CS/M** - **OPTIONS** - **DIM** - **120**

SERIES LUMEN PACKAGE CRI & CCT REFLECTOR DIST. FINISH OPTIONS DRIVER VOLTAGE

## CROSS SECTION



## ORDERING INFORMATION

**SERIES**  
L60 6" Round LED Downlight

EXAMPLE: L40C/835				
LUMEN PACKAGE	NOMINAL LUMENS	MINIMUM		AVERAGE SYSTEM WATTAGE
		CRI	CCT	
L11C	1100	8 = 80 9 = 90	27=2700K 30=3000K 35=3500K 40=4000K	15
L15C	1500			19
L20C	2000			26
L30C	3000			36
L40C	4000			39
L50C <sup>1</sup>	5000			51
L60C <sup>1</sup>	6000			64
L70C <sup>1</sup>	7000			62
L80C <sup>1</sup>	8000			72
L90C <sup>1</sup>	9000			80

Nominal lumens based on 3500K CCT, actual lumens may vary.

**REFLECTOR FINISH** (Must specify)

<b>CS</b>	Clear semi-specular (standard)
<b>CG</b>	Champagne gold
<b>GD</b>	Gold
<b>PW</b>	Pewter
<b>SG</b>	Satin-glow
<b>SPC</b>	Clear specular
<b>STR</b>	Straw
<b>WH</b>	Painted white reflector, textured (cannot be used with __/CAL or __/CGS)
<b>WT</b>	Wheat

**DISTRIBUTION** (Must specify)

<b>W</b>	Wide
<b>M</b>	Medium

**OPTIONS**

<b>EM/12W</b>	12-watt emergency driver (nominal 1400 lumens module output in EM)
<b>EM/7W</b>	7-watt emergency driver (nominal 800 lumens module output in EM mode)
<b>MWT</b>	Matte white trim
<b>AC/CAL</b>	Accent cone with clear acrylic lens (wide distribution only)
<b>MB/CAL</b>	Micro-baffle with clear acrylic lens (wide distribution only)
<b>AC/CGS</b>	Accent cone with clear glass lens (wide distribution only)
<b>MB/CGS</b>	Micro-baffle with clear glass lens (wide distribution only)
<b>LAD</b>	Acrylic luminous disk (CS reflector only)
<b>LADO</b>	Acrylic luminous disk open (CS reflector only)
<b>LAR</b>	Acrylic luminous ring (CS reflector only)
<b>SCA __</b>	Sloped Ceiling Adapter (specify degrees of slope in 5° increments, 5°-30°. SCA increases fixture height, see Information for details.)
<b>WET/CC</b>	Wet Location, Covered Ceiling listed (when specified with __/CAL or __/CGS options).
<b>WW</b>	Wall wash (wide distribution only; not available with trim, lens, or sloped adapter options)

**DRIVER**

Additional dimming drivers available, [see Information Section](#).

<b>DRV</b>	Driver prewired for non-dimming applications
<b>DIM</b>	Driver prewired for 0-10V low voltage dimming applications

**VOLTAGE** (Must specify)

<b>120</b>	120V
<b>277</b>	277V

## FEATURES

- ▶ Rated for >55,000 hours at 70% lumen maintenance (L70).
- ▶ Module lumens from 1100 to 9000.
- ▶ 2700K, 3000K, 3500K, or 4000K color temperatures, minimum 80 or 90 CRI.
- ▶ LED module and driver accessible from below ceiling plane for ease of maintenance (up to 4000 lumens).
- ▶ Optional system-integrated emergency LED driver available.
- ▶ Optional wet location under covered ceiling available when specified with \_\_/CAL or \_\_/CGS option.
- ▶ Finned, extruded aluminum, passive heat sink dissipates heat for superior thermal management.
- ▶ Integral pan throat field-adjusts to accommodate ceilings up to 1-5/8" thick.
- ▶ Self-flanged aluminum reflector offers maximum optical performance and provides crisp, clean installation without unsightly light leaks.
- ▶ Adjustable hanger brackets for bar hangers standard.
- ▶ Sturdy one-piece pan construction.
- ▶ This fixture is proudly made in the USA.

<sup>1</sup> Available with DRV or DIM driver options only. Top access required for driver maintenance.



# L60

# 6" ROUND LED DOWNLIGHT

## LED

### SPECIFICATIONS

**Housing** – 20-gauge die-formed galvanized steel pan/plaster frame with adjustable throat (5/8" to 1-5/8"). Extruded aluminum heat sink.  
**Reflector** – Low- iridescent aluminum. Clear semi-specular (CS) finish standard.  
**Electrical** – Prewired at factory for easy field installation. Integral thermal protector. High quality class 2 C.O.B LED array. Reported L70 >55,000 hours.  
**Mounting** – Recessed.  
**Labels** – cETLus conforms to UL STD 1598; Certified to CAN/CSA STD C22.2 No. 250.0. Suitable for damp locations. Suitable for wet location under covered ceiling when specified with AC/CAL or MB/CAL option.  
**Qualifications** – RoHS compliant.  
**Warranty** – 5-year limited warranty, see hew.com/warranty.

### CANDLEPOWER MULTIPLIER

Catalog Number	Reflector Finish	Conversion Factor
SPC	Specular	1.02
CG	Champagne Gold	.96
GD	Gold	.93
PW	Pewter	.86
STR	Straw	.97
WT	Wheat	.88

### COLOR TEMPERATURE MULTIPLIERS

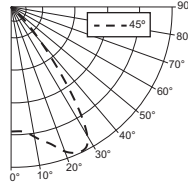
CCT/CRI	Conversion Factor
2700K/80CRI	0.95
3000K/80CRI	0.96
3500K/80CRI	1.00
4000K/80CRI	1.01
2700K/90CRI	0.74
3000K/90CRI	0.85
3500K/90CRI	0.90
4000K/90CRI	0.91

### PHOTOMETRY - WIDE

Catalog #: L60-L40C/835-CS/W-DIM-120

#### TEST REPORT INFORMATION

- ▶ Test Report #: 1217929
- ▶ Date: 03/03/16
- ▶ Lamp Type: LED
- ▶ **Rated Lumens: 2953**
- ▶ **Watts: 39.2**
- ▶ **Lumens Per Watt: 75.4**
- ▶ **CRI: 82.1**
- ▶ **CCT: 3558K**



#### CANDLEPOWER DISTRIBUTION

Vertical Angle	Horizontal Angle 45°	Zonal Lumens
0°	1804.	
5°	1811.	43.2
15°	2045.	235.5
25°	2311.	479.4
35°	1320.	512.6
45°	287.	158.8
55°	38.	30.0
65°	14.	8.1
75°	6.	3.9
85°	3.	2.2
90°	3.	

#### LUMEN SUMMARY

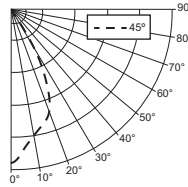
Zone	Lumens	% Fixture
0° - 40°	2638.	89.7
0° - 60°	2917.	99.2
0° - 90°	2942.	100.0
Total Luminaire:		
0 - 180	2942.	100.0
IES Spacing Criteria: 0-180 = 1.33 90-270 = 1.33		

### PHOTOMETRY - MEDIUM

Catalog #: L60-L40C/835-CS/M-DIM-120

#### TEST REPORT INFORMATION

- ▶ Test Report #: 1217931
- ▶ Date: 03/04/16
- ▶ Lamp Type: LED
- ▶ **Rated Lumens: 2791**
- ▶ **Watts: 39.3**
- ▶ **Lumens Per Watt: 71.1**
- ▶ **CRI: 82.2**
- ▶ **CCT: 3562K**



#### CANDLEPOWER DISTRIBUTION

Vertical Angle	Horizontal Angle 45°	Zonal Lumens
0°	4296.	
5°	3954.	98.3
15°	3347.	410.1
25°	2400.	579.9
35°	555.	290.5
45°	70.	45.6
55°	5.	4.7
65°	2.	1.3
75°	0.	0.3
85°	1.	0.6
90°	1.	

#### LUMEN SUMMARY

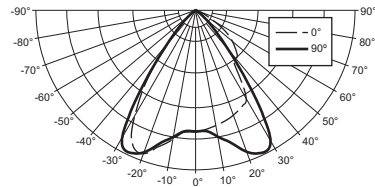
Zone	Lumens	% Fixture
0° - 40°	2783.	97.6
0° - 60°	2848.	99.9
0° - 90°	2852.	100.0
Total Luminaire:		
0 - 180	2852.	100.0
IES Spacing Criteria: 0-180 = 0.84 90-270 = 0.84		

### PHOTOMETRY - WALL WASH

Catalog #: L60-L40C/835-CS/WW-DIM-120

#### TEST REPORT INFORMATION

- ▶ Test Report #: 1217930
- ▶ Date: 03/04/16
- ▶ Lamp Type: LED
- ▶ **Rated Lumens: 2704**
- ▶ **Watts: 39.2**
- ▶ **Lumens Per Watt: 68.9**
- ▶ **CRI: 82.2**
- ▶ **CCT: 3561K**



#### CANDLEPOWER DISTRIBUTION

Vertical Angle	Horizontal Angle 0°	Horizontal Angle 90°	Zonal Lumens
0°	1733.	1733.	
5°	1701.	1728.	41.3
15°	1621.	1971.	219.2
25°	1507.	2229.	418.8
35°	910.	1184.	408.1
45°	763.	280.	191.0
55°	438.	37.	89.7
65°	115.	14.	29.5
75°	13.	6.	7.9
85°	5.	1.	1.9
90°	3.	0.	

#### LUMEN SUMMARY

Zone	Lumens	% Fixture
0° - 40°	2295.	81.3
0° - 60°	2764.	97.9
0° - 90°	2824.	100.0
Total Luminaire:		
0 - 180	2824.	100.0
IES Spacing Criteria: 0-180 = 1.16 90-270 = 1.26		

### FIXTURE PERFORMANCE DATA

Lumen Package	Distribution	Average System Wattage	Delivered Lumens	Efficacy (lm/W)
L11C	W	15	1043	68.7
	M		986	64.9
L15C	W	19	1347	71.1
	M		1273	67.2
L20C	W	26	1680	64.0
	M		1588	60.5
L30C	W	36	2487	70.1
	M		2351	66.3
L40C	W	39	2953	75.4
	M		2791	71.1
L50C	W	51	3566	69.9
	M		3370	66.0
L60C	W	64	4448	69.3
	M		4204	65.5
L70C	W	62	5400	87.2
	M		5104	82.4
L80C	W	72	5773	80.5
	M		5456	76.1
L90C	W	80	5940	74.1
	M		5614	70.0



# 6" ROUND LED DOWNLIGHT

# L60

## LED

CATALOG #:  
L60-L40C/835-M-EM.12W-DIM0120

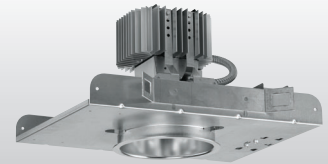
TYPE:  
DE

PROJECT:  
ST. CLOUD ADULT CAY CARE CENTER

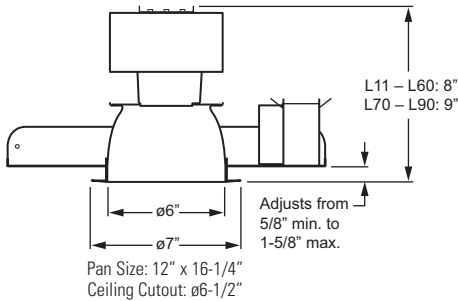
NOTES:  
DOWN LIGHT WITH DAMMABLE DRIVER AND EMERGENCY DRIVER

**EXAMPLE** L60 - L40C/835 - CS/M - OPTIONS - DIM - 120

SERIES LUMEN PACKAGE CRI & CCT REFLECTOR DIST. FINISH OPTIONS DRIVER VOLTAGE



## CROSS SECTION



## ORDERING INFORMATION

### SERIES

**L60** 6" Round LED Downlight

### LED PACKAGE

EXAMPLE: L40C/835				
LUMEN PACKAGE	NOMINAL LUMENS	MINIMUM		AVERAGE SYSTEM WATTAGE
		CRI	CCT	
L11C	1100	8 = 80 9 = 90	27=2700K 30=3000K 35=3500K 40=4000K	15
L15C	1500			19
L20C	2000			26
L30C	3000			36
L40C	4000			39
L50C <sup>1</sup>	5000			51
L60C <sup>1</sup>	6000			64
L70C <sup>1</sup>	7000			62
L80C <sup>1</sup>	8000			72
L90C <sup>1</sup>	9000			80

Nominal lumens based on 3500K CCT, actual lumens may vary.

### REFLECTOR FINISH (Must specify)

<b>CS</b>	Clear semi-specular (standard)
<b>CG</b>	Champagne gold
<b>GD</b>	Gold
<b>PW</b>	Pewter
<b>SG</b>	Satin-glow
<b>SPC</b>	Clear specular
<b>STR</b>	Straw
<b>WH</b>	Painted white reflector, textured (cannot be used with __/CAL or __/CGS)
<b>WT</b>	Wheat

### DISTRIBUTION (Must specify)

<b>W</b>	Wide
<b>M</b>	Medium

### OPTIONS

<b>EM/12W</b>	12-watt emergency driver (nominal 1400 lumens module output in EM)
<b>EM/7W</b>	7-watt emergency driver (nominal 800 lumens module output in EM mode)
<b>MWT</b>	Matte white trim
<b>AC/CAL</b>	Accent cone with clear acrylic lens (wide distribution only)
<b>MB/CAL</b>	Micro-baffle with clear acrylic lens (wide distribution only)
<b>AC/CGS</b>	Accent cone with clear glass lens (wide distribution only)
<b>MB/CGS</b>	Micro-baffle with clear glass lens (wide distribution only)
<b>LAD</b>	Acrylic luminous disk (CS reflector only)
<b>LADO</b>	Acrylic luminous disk open (CS reflector only)
<b>LAR</b>	Acrylic luminous ring (CS reflector only)
<b>SCA __</b>	Sloped Ceiling Adapter (specify degrees of slope in 5° increments, 5°-30°. SCA increases fixture height, see Information for details.)
<b>WET/CC</b>	Wet Location, Covered Ceiling listed (when specified with __/CAL or __/CGS options).
<b>WW</b>	Wall wash (wide distribution only; not available with trim, lens, or sloped adapter options)

### DRIVER

Additional dimming drivers available, <a href="#">see Information Section</a> .	
<b>DRV</b>	Driver prewired for non-dimming applications
<b>DIM</b>	Driver prewired for 0-10V low voltage dimming applications

### VOLTAGE (Must specify)

<b>120</b>	120V
<b>277</b>	277V

## FEATURES

- ▶ Rated for >55,000 hours at 70% lumen maintenance (L70).
- ▶ Module lumens from 1100 to 9000.
- ▶ 2700K, 3000K, 3500K, or 4000K color temperatures, minimum 80 or 90 CRI.
- ▶ LED module and driver accessible from below ceiling plane for ease of maintenance (up to 4000 lumens).
- ▶ Optional system-integrated emergency LED driver available.
- ▶ Optional wet location under covered ceiling available when specified with \_\_/CAL or \_\_/CGS option.
- ▶ Finned, extruded aluminum, passive heat sink dissipates heat for superior thermal management.
- ▶ Integral pan throat field-adjusts to accommodate ceilings up to 1-5/8" thick.
- ▶ Self-flanged aluminum reflector offers maximum optical performance and provides crisp, clean installation without unsightly light leaks.
- ▶ Adjustable hanger brackets for bar hangers standard.
- ▶ Sturdy one-piece pan construction.
- ▶ This fixture is proudly made in the USA.

<sup>1</sup> Available with DRV or DIM driver options only. Top access required for driver maintenance.



# L60

# 6" ROUND LED DOWNLIGHT

## LED

### SPECIFICATIONS

**Housing** – 20-gauge die-formed galvanized steel pan/plaster frame with adjustable throat (5/8" to 1-5/8"). Extruded aluminum heat sink.  
**Reflector** – Low- iridescent aluminum. Clear semi-specular (CS) finish standard.  
**Electrical** – Prewired at factory for easy field installation. Integral thermal protector. High quality class 2 C.O.B LED array. Reported L70 >55,000 hours.  
**Mounting** – Recessed.  
**Labels** – cETLus conforms to UL STD 1598; Certified to CAN/CSA STD C22.2 No. 250.0. Suitable for damp locations. Suitable for wet location under covered ceiling when specified with AC/CAL or MB/CAL option.  
**Qualifications** – RoHS compliant.  
**Warranty** – 5-year limited warranty, see hew.com/warranty.

### CANDLEPOWER MULTIPLIER

Catalog Number	Reflector Finish	Conversion Factor
SPC	Specular	1.02
CG	Champagne Gold	.96
GD	Gold	.93
PW	Pewter	.86
STR	Straw	.97
WT	Wheat	.88

### COLOR TEMPERATURE MULTIPLIERS

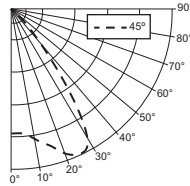
CCT/CRI	Conversion Factor
2700K/80CRI	0.95
3000K/80CRI	0.96
3500K/80CRI	1.00
4000K/80CRI	1.01
2700K/90CRI	0.74
3000K/90CRI	0.85
3500K/90CRI	0.90
4000K/90CRI	0.91

### PHOTOMETRY - WIDE

Catalog #: **L60-L40C/835-CS/W-DIM-120**

#### TEST REPORT INFORMATION

- ▶ Test Report #: 1217929
- ▶ Date: 03/03/16
- ▶ Lamp Type: LED
- ▶ **Rated Lumens: 2953**
- ▶ **Watts: 39.2**
- ▶ **Lumens Per Watt: 75.4**
- ▶ **CRI: 82.1**
- ▶ **CCT: 3558K**



#### CANDLEPOWER DISTRIBUTION

Vertical Angle	Horizontal Angle 45°	Zonal Lumens
0°	1804.	
5°	1811.	43.2
15°	2045.	235.5
25°	2311.	479.4
35°	1320.	512.6
45°	287.	158.8
55°	38.	30.0
65°	14.	8.1
75°	6.	3.9
85°	3.	2.2
90°	3.	

#### LUMEN SUMMARY

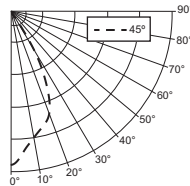
Zone	Lumens	% Fixture
0° - 40°	2638.	89.7
0° - 60°	2917.	99.2
0° - 90°	2942.	100.0
Total Luminaire:		
0 - 180	2942.	100.0
IES Spacing Criteria: 0-180 = 1.33 90-270 = 1.33		

### PHOTOMETRY - MEDIUM

Catalog #: **L60-L40C/835-CS/M-DIM-120**

#### TEST REPORT INFORMATION

- ▶ Test Report #: 1217931
- ▶ Date: 03/04/16
- ▶ Lamp Type: LED
- ▶ **Rated Lumens: 2791**
- ▶ **Watts: 39.3**
- ▶ **Lumens Per Watt: 71.1**
- ▶ **CRI: 82.2**
- ▶ **CCT: 3562K**



#### CANDLEPOWER DISTRIBUTION

Vertical Angle	Horizontal Angle 45°	Zonal Lumens
0°	4296.	
5°	3954.	98.3
15°	3347.	410.1
25°	2400.	579.9
35°	555.	290.5
45°	70.	45.6
55°	5.	4.7
65°	2.	1.3
75°	0.	0.3
85°	1.	0.6
90°	1.	

#### LUMEN SUMMARY

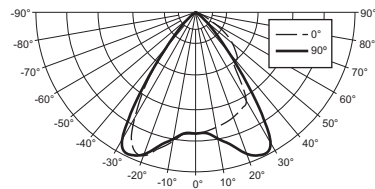
Zone	Lumens	% Fixture
0° - 40°	2783.	97.6
0° - 60°	2848.	99.9
0° - 90°	2852.	100.0
Total Luminaire:		
0 - 180	2852.	100.0
IES Spacing Criteria: 0-180 = 0.84 90-270 = 0.84		

### PHOTOMETRY - WALL WASH

Catalog #: **L60-L40C/835-CS/WW-DIM-120**

#### TEST REPORT INFORMATION

- ▶ Test Report #: 1217930
- ▶ Date: 03/04/16
- ▶ Lamp Type: LED
- ▶ **Rated Lumens: 2704**
- ▶ **Watts: 39.2**
- ▶ **Lumens Per Watt: 68.9**
- ▶ **CRI: 82.2**
- ▶ **CCT: 3561K**



#### CANDLEPOWER DISTRIBUTION

Vertical Angle	Horizontal Angle 0°	Horizontal Angle 90°	Zonal Lumens
0°	1733.	1733.	
5°	1701.	1728.	41.3
15°	1621.	1971.	219.2
25°	1507.	2229.	418.8
35°	910.	1184.	408.1
45°	763.	280.	191.0
55°	438.	37.	89.7
65°	115.	14.	29.5
75°	13.	6.	7.9
85°	5.	1.	1.9
90°	3.	0.	

#### LUMEN SUMMARY

Zone	Lumens	% Fixture
0° - 40°	2295.	81.3
0° - 60°	2764.	97.9
0° - 90°	2824.	100.0
Total Luminaire:		
0 - 180	2824.	100.0
IES Spacing Criteria: 0-180 = 1.16 90-270 = 1.26		

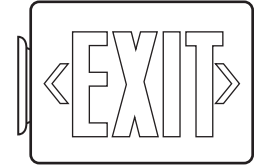
### FIXTURE PERFORMANCE DATA

Lumen Package	Distribution	Average System Wattage	Delivered Lumens	Efficacy (lm/W)
L11C	W	15	1043	68.7
	M		986	64.9
L15C	W	19	1347	71.1
	M		1273	67.2
L20C	W	26	1680	64.0
	M		1588	60.5
L30C	W	36	2487	70.1
	M		2351	66.3
L40C	W	39	2953	75.4
	M		2791	71.1
L50C	W	51	3566	69.9
	M		3370	66.0
L60C	W	64	4448	69.3
	M		4204	65.5
L70C	W	62	5400	87.2
	M		5104	82.4
L80C	W	72	5773	80.5
	M		5456	76.1
L90C	W	80	5940	74.1
	M		5614	70.0



# CAST ALUMINUM LED EXIT SIGN

# EXIT/CA



**SUBMITTAL:** EXIT/CA-SF-R-BF-EM-120

**JOB:** ST. CLOUD ADULT DAY CARE CENTER

**TYPE:** E **VOLTAGE:** 120

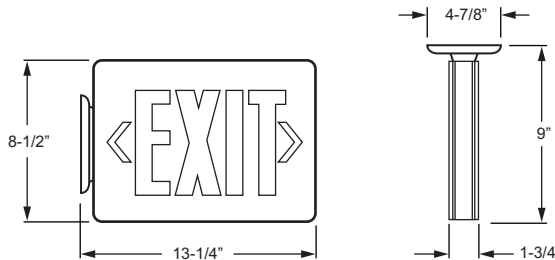
**EXAMPLE:** EXIT/CA - SF - R - AF - BLK - AC - OPTIONS

SERIES      NUMBER OF FACES      LETTER COLOR      FACEPLATE FINISH      HOUSING COLOR      POWER OPTIONS      OPTIONS/ACCESSORIES

## SERIES

### FEATURES

- ▶ Available as full-time AC powered unit or emergency unit with battery backup.
- ▶ Ni-Cad battery on emergency (EM) units provides 90 minutes of emergency operation.
- ▶ Environmentally coated, fully automatic solid-state charger on EM units.
- ▶ Automatic, low voltage disconnect (LVD) activates EM unit in event of partial power failure or brownout.
- ▶ Compact, low profile design.
- ▶ Energy consumption of less than 4 watts for red LED and less than 2 watts for green LED.
- ▶ Removable directional indicators.



## EXIT/CA SERIES

**HOUSING** — Cast aluminum.

**ELECTRICAL** — Universal transformer for 120 or 277 VAC operation.

**FINISH** — Various housing colors and faceplate finishes available. Must specify

**MOUNTING** — Universal mounting canopy included for top or side installation.

### NUMBER OF FACES (Must specify)

**SF** Single Face

**DF** Double Face

### LETTER COLOR (Must specify)

**R** Red

**G** Green

### FACEPLATE FINISH (Must specify)

**AF** Brushed Aluminum Faceplate

**BF** Black Faceplate

**WF** Industry-standard White Faceplate

### HOUSING COLOR (Must specify)

**BLK** Black

**BA** Brushed Aluminum

**WHT** Industry-standard White

### POWER OPTIONS (Must specify)

**AC** AC operation

**EM** AC operation with Emergency Battery Backup

### OPTIONS

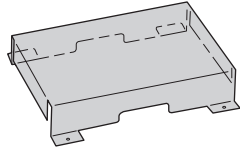
**DC** Dual Circuit

**SDT** Self-Diagnostic Test

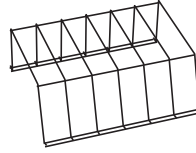
## LABELS

Listed to UL 924 standard as an exit light suitable for dry or damp location.

## ACCESSORIES



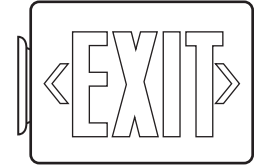
**PC1**  
Polycarbonate Shield



**WG**  
Wireguard

# CAST ALUMINUM LED EXIT SIGN

# EXIT/CA



**SUBMITTAL:** EXIT/CA-DF-R-BF-EM-120

**JOB:** ST. CLOUD ADULT DAY CARE CENTER

**TYPE:** E1

**VOLTAGE:** 120

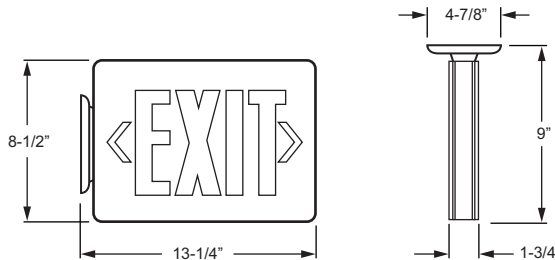
**EXAMPLE:** EXIT/CA - SF - R - AF - BLK - AC - OPTIONS

SERIES      NUMBER OF FACES      LETTER COLOR      FACEPLATE FINISH      HOUSING COLOR      POWER OPTIONS      OPTIONS/ACCESSORIES

## SERIES

### FEATURES

- ▶ Available as full-time AC powered unit or emergency unit with battery backup.
- ▶ Ni-Cad battery on emergency (EM) units provides 90 minutes of emergency operation.
- ▶ Environmentally coated, fully automatic solid-state charger on EM units.
- ▶ Automatic, low voltage disconnect (LVD) activates EM unit in event of partial power failure or brownout.
- ▶ Compact, low profile design.
- ▶ Energy consumption of less than 4 watts for red LED and less than 2 watts for green LED.
- ▶ Removable directional indicators.



## EXIT/CA SERIES

**HOUSING** — Cast aluminum.

**ELECTRICAL** — Universal transformer for 120 or 277 VAC operation.

**FINISH** — Various housing colors and faceplate finishes available. Must specify

**MOUNTING** — Universal mounting canopy included for top or side installation.

### NUMBER OF FACES (Must specify)

**SF** Single Face

**DF** Double Face

### LETTER COLOR (Must specify)

**R** Red

**G** Green

### FACEPLATE FINISH (Must specify)

**AF** Brushed Aluminum Faceplate

**BF** Black Faceplate

**WF** Industry-standard White Faceplate

### HOUSING COLOR (Must specify)

**BLK** Black

**BA** Brushed Aluminum

**WHT** Industry-standard White

### POWER OPTIONS (Must specify)

**AC** AC operation

**EM** AC operation with Emergency Battery Backup

### OPTIONS

**DC** Dual Circuit

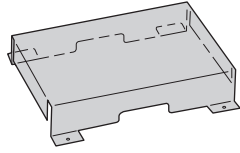
**SDT** Self-Diagnostic Test

## LABELS

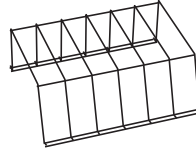
Listed to UL 924 standard as an exit light suitable for dry or damp location.



## ACCESSORIES



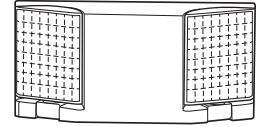
**PC1**  
Polycarbonate Shield



**WG**  
Wireguard

# ADJUSTABLE COMPACT LED EMERGENCY LIGHT

# EMER/CP/ADJ/LED



**SUBMITTAL:** EMER/CP/ADJ/LED-BLK-120

**JOB:** ST. CLOUD ADULT DAY CARE CENTER

**TYPE:** F **VOLTAGE:** 120

EXAMPLE

**EMER/CP/ADJ/LED . WHT . OPTIONS**

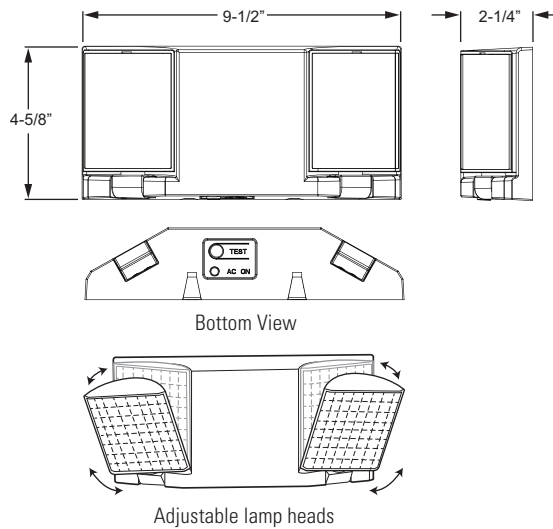
SERIES

HOUSING  
COLOR

OPTIONS/  
ACCESSORIES

## FEATURES

- ▶ Long-life, efficient ultra-bright white LED lamp heads.
- ▶ High-performance metalized reflector and plastic lens for optimal light distribution.
- ▶ Two adjustable LED lamp heads provide optimal center-to-center spacing.
- ▶ Dual 120/277 voltage.
- ▶ Charge rate/power "ON" LED indicator light and push-to-test switch for mandated code compliance testing.
- ▶ 3.6V long-life, maintenance-free, rechargeable NiCd battery.
- ▶ Internal solid-state transfer switch automatically connects the internal battery to LED board for minimum 90-minute emergency illumination.
- ▶ Fully automatic solid-state system recharges battery in 24 hours.
- ▶ Available with industry-standard white or black housing.



## SPECIFICATIONS

**Housing** – Injection-molded, engineering-grade, 5VA flame retardant, high-impact resistant thermoplastic.

**Electrical** – Universal transformer for 120 or 277 VAC operation.

**Mounting** – Universal mounting plate with quick-connect for easy installation.

**Labels** – Listed to UL 924 standard as an emergency light suitable for dry or damp location. Meets NFPA 101 Life Safety Code, NEC, OSHA, Local and State Codes.

## ORDERING INFORMATION

### SERIES

**EMER/CP/ADJ/LED** Adjustable Compact LED Emergency Light

### HOUSING COLOR

**BLK** Black  
**WHT** Industry-standard white

### ACCESSORIES

See back for accessory details.

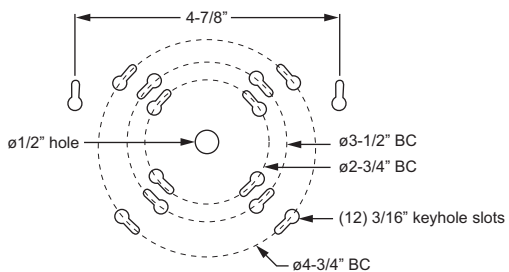
**PC3** Polycarbonate shield  
**WG** Wireguard

## ELECTRICAL INFORMATION

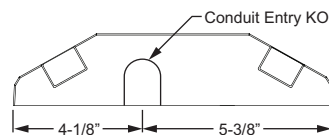
Catalog Number	Input Watts (W)		Input Amps (A)	
	120V	277V	120V	277V
EMER/CP/ADJ/LED	2.1	2.1	0.025	0.010

## FIXTURE DETAILS

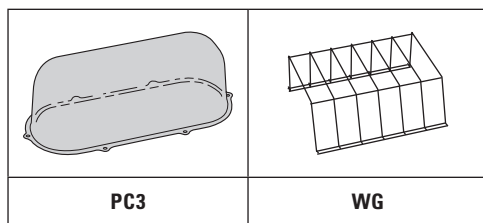
### BOLT CIRCLE PATTERN



### TOP VIEW



## ACCESSORIES



PC3

WG

# ROUND ARCHITECTURAL SURFACE MOUNT

# RNDS

## LED

CATALOG #: RNDS-4-L136/835-FXA-DIM-120 TYPE: G

PROJECT: ST. CLOUD ADULT DAY CARE CENTER NOTES: 4' ROUND SURFACE MOUNT AND DIMMABLE DRIVER

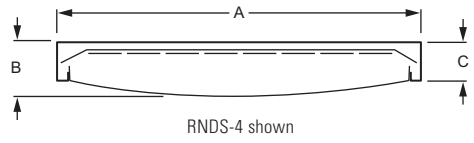
**EXAMPLE** **RNDS - 4 - L136/835 - FXA - OPTIONS - DIM - UNV**

SERIES NOMINAL DIAMETER LUMEN PACKAGE CRI & CCT LENS OPTIONS DRIVER VOLTAGE



## FEATURES

- ▶ Round, surface mounted, architectural fixture adds visual interest to a variety of applications.
- ▶ Frosted, round acrylic lens provides soft, uniform light distribution.
- ▶ Lift-and-twist lens assembly allows for easy maintenance.
- ▶ LED technology provides high efficacy and energy efficiency.
- ▶ Rated for 50,000 hours at 85% lumen maintenance (L85).
- ▶ Minimum 82 CRI; 3000K, 3500K, 4000K CCT.
- ▶ This fixture is proudly made in the USA.



Fixture	A (Dia.)	B	C
2'	26-3/16"	6-11/16"	5-1/8"
3'	36-11/16"	7-3/16"	5-1/8"
4'	48-11/16"	7-11/16"	5-1/8"

## SPECIFICATIONS

**Housing** – .080" spun aluminum outer housing with C.R.S. back plate.  
**Shielding** – Frosted acrylic lens, .125" thick.  
**Finish** – Textured matte white polyester TGIC powder coat bonded to phosphate-free, multi-stage pretreated metal. All parts painted after fabrication to facilitate installation, increase efficiency, and inhibit corrosion.  
**Electrical** – High quality mid-power LED boards. L85 at 50,000 hours. 25°C maximum ambient operating temperature.  
**Mounting** – Surface mount.  
**Labels** – cCSAus certified as luminaire suitable for dry or damp locations.  
**Warranty** – 5-year limited fixture warranty, see [www.hewilliams.com/warranty](http://www.hewilliams.com/warranty).

## ORDERING INFORMATION

**SERIES**  
**RNDS** Round Architectural Surface Mount

**NOMINAL DIAMETER**

2	2'
3	3'
4	4'

**LED PACKAGE**

EXAMPLE: L136/835			AVERAGE SYSTEM WATTAGE
LUMEN PACKAGE	NOMINAL LUMENS	MINIMUM CRI & CCT	
<b>2' UNIT</b>			31
L25/	2,500	830 = 82 CRI, 3000K 835 = 82 CRI, 3500K 840 = 82 CRI, 4000K	
<b>3' UNIT</b>			
L67/	6,700		
<b>4' UNIT</b>			75
L136/	13,600		125

Nominal lumen output based on 3500K CCT. Actual lumens may vary +/- 5%. See specific photometric tests. Additional LED lumen packages available, consult factory.

**LENS**  
**FXA** Frosted convex acrylic lens

**OPTIONS**

**EM/BSL310 REMOTE MOUNT<sup>1</sup>** Remote mount emergency LED driver (maximum nominal 950 lumens module output in EM mode). See back for details.<sup>1</sup>

**(L\_\_)** Additional lower lumen packages available. Specify in increments of 100 nominal lumens.  
**Example:** 12,500 nominal lumens = RNDS-4-L136/835-FXA-(L125)

**DRIVER**

**DRV** Driver prewired for non-dimming applications  
**DIM** Driver prewired for 0-10V low-voltage dimming applications

**VOLTAGE**

**120** 120V  
**277** 277V  
**UNV** 120-277V

<sup>1</sup> EM/BSL310 REMOTE MOUNT requires remote mounted LED driver, provided with remote mounting enclosure for installation in ceiling above fixture. Separate power and control wiring to remote box required. See back for details.

#### IMPORTANT:

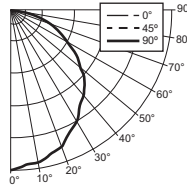
Electrostatic sensitive unit. Observe precautions when handling.

### PHOTOMETRY

Catalog #: **RNDS-4-L136/835-FXA-DRV-UNV**

#### TEST REPORT INFORMATION

- ▶ Test Report #: 18643.0
- ▶ Date: 01/23/15
- ▶ Lamp Type: LED
- ▶ **Rated Lumens: 13550**
- ▶ **Watts: 125.2**
- ▶ **Lumens Per Watt: 108.2**
- ▶ **CRI: 83**
- ▶ **CCT: 3375K**



#### CANDLEPOWER DISTRIBUTION

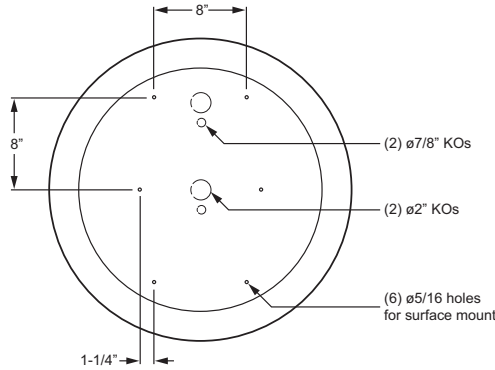
Vertical Angle	Horizontal Angle			Zonal Lumens
	0°	45°	90°	
0°	4974.	4974.	4974.	
5°	4802.	4798.	4794.	458.0
15°	4600.	4594.	4596.	1302.8
25°	4163.	4158.	4161.	1925.4
35°	3629.	3622.	3627.	2277.0
45°	3178.	3172.	3176.	2457.3
55°	2433.	2429.	2437.	2182.8
65°	1675.	1666.	1677.	1657.8
75°	888.	890.	890.	940.2
85°	316.	321.	321.	348.9
90°	125.	127.	127.	

#### LUMEN SUMMARY

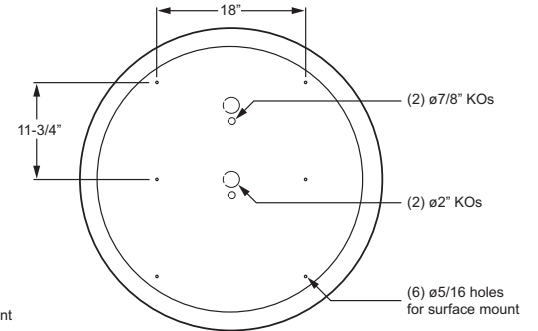
Zone	Lumens	% Fixture
0° - 30°	3686.	27.2
0° - 40°	5963.	44.0
0° - 60°	10603.	78.3
0° - 90°	13550.	100.0
<b>Total Luminaire:</b>		
0° - 180°	13550.	100.0
IES Spacing Criteria: End = 1.2 Across = 1.2 Diagonal = 1.2		

### FIXTURE DETAILS

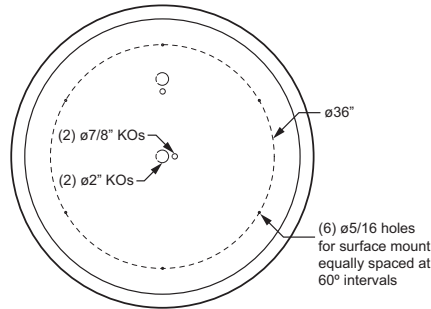
#### 2' MOUNTING INFORMATION



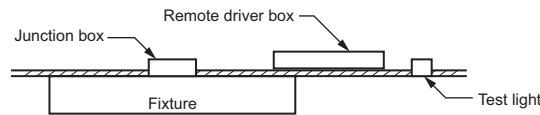
#### 3' MOUNTING INFORMATION



#### 4' MOUNTING INFORMATION



#### EM/BSL310 REMOTE MOUNT DETAILS



# ARCHITECTURAL WALL MOUNT

# WMA

CATALOG #:  
WMA-4-L65/835-AF-DRV-120

TYPE:  
H

LED

PROJECT:  
ST. CLOUD ADULT DAY CARE CENTER

NOTES:  
STAIRWELL LIGHT FIXTURE

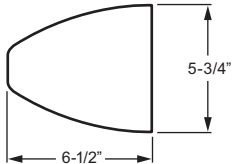
EXAMPLE

**WMA - 4 - L65/840 - AF - OPTIONS - DIM - UNV**

SERIES    NOMINAL LENGTH    LUMEN PACKAGE    CRI & CCT    SHIELDING    OPTIONS    DRIVER    VOLTAGE



## CROSS SECTION



## ORDERING INFORMATION

### SERIES

**WMA** Architectural Wall Mount

### NOMINAL LENGTH

2	2'
3	3'
4	4'

### LED PACKAGE

EXAMPLE: L65/840				AVERAGE SYSTEM WATTAGE
NOMINAL LENGTH	LUMEN PACKAGE	NOMINAL LUMENS	MINIMUM CRI & CCT	
STANDARD UP/DOWN				
2'	L30	3,000	830 = 80 CRI, 3000K 835 = 80 CRI, 3500K	40
3'	L46	4,600	840 = 80 CRI, 4000K 850 = 80 CRI, 5000K	57
4'	L65	6,500	850 = 80 CRI, 5000K	81
CLOSED-TOP OPTION				
2'	L15	1,500	830 = 80 CRI, 3000K 835 = 80 CRI, 3500K	20
3'	L23	2,300	840 = 80 CRI, 4000K 850 = 80 CRI, 5000K	29
4'	L32	3,200	850 = 80 CRI, 5000K	41

Nominal lumens based on 3500K CCT, actual lumens may vary.

### SHIELDING

**AF** Frosted acrylic, .125" thick

### OPTIONS

For color options, visit the WMA online at hew.com.

**PSR/120** Single-circuit pull switch on right (120V only)  
**PSL/120** Single-circuit pull switch on left (120V only)  
**PSBR/120** Single-circuit bottom-mounted pull switch on right (120V only)  
**PSBL/120** Single-circuit bottom-mounted pull switch on left (120V only)  
**GCOL** Grounded convenience outlet on left (120V only)  
**GCOR** Grounded convenience outlet on right (120V only)  
**CT** Closed-top (affects maximum lumen output and distribution; maximum 3,200 lumens)

### OPTIONS (Continued)

**TP** Tamper-resistant (holt head) screws. This option requires a tamper-resistant tool (must be ordered separately). Please specify quantity required per project.

**EM/10W** 10-watt emergency driver (4' only, nominal 1300 lumens module output in EM mode)

**LVC\*C60** Curbell model #LC-060 low-voltage controller, 120V or 277V only. Not dimming compatible. LVC and OCC options cannot be used simultaneously on 2' and 3' units.

**AMW (L\_\_)** Anti-microbial white finish  
 Additional lower lumen packages available. Specify in increments of 100 nominal lumens. Option must be specified with next higher lumen package.  
**Example:** 5,500 nominal lumens = WMA-4-L65/850-(L55).

**OCC** Factory-installed occupancy sensor, 120V or 277V only, must specify voltage. This option requires a tamper-resistant tool (must be ordered separately). Please specify quantity required per project:  
 OCCWS FS-505-PP-\_\_\_

### DRIVER

Additional dimming drivers available, [see Information Section](#).

**DRV** Driver prewired for non-dimming applications  
**DIM** Driver prewired for 0-10V low voltage dimming applications

### VOLTAGE

**120** 120V  
**277** 277V  
**UNV** 120-277V  
**347** 347V (DRV and DIM only. Not available with EM drivers.)

## FEATURES

- ▶ Ambient up/down light with closed top option available.
- ▶ Multiple dimming protocols available.
- ▶ Minimum 80 CRI, 3000K, 3500K, 4000K, or 5000K CCT.
- ▶ Tool-less access to LEDs by removing front housing from fixture channel.
- ▶ Pull switch and grounded convenience outlet options available (120V only).
- ▶ Various housing color options available, consult factory.
- ▶ Optional anti-microbial white finish available for use in healthcare applications.
- ▶ Contoured architectural housing with die-cast aluminum end caps.
- ▶ Keyhole mounting for easy installation.
- ▶ Optional tamper-resistant screws available.
- ▶ This fixture is proudly made in the USA.



### SPECIFICATIONS

**Housing** – 20-gauge C.R.S. fixture channel. Front housing constructed of marine grade extruded aluminum with die-cast aluminum end caps.

**Reflective Surfaces** – 92% minimum average reflective white polyester powder coat on interior steel components.

**Shielding** – Frosted acrylic, .125" thick.

**Finish** – Textured matte white polyester TGIC powder coat bonded to phosphate-free, multi-stage pretreated metal. All parts painted after fabrication to facilitate installation, increase efficiency, and inhibit corrosion.

**Electrical** – High quality mid-power LED board. L70 at 50,000 hours. 25°C maximum ambient operating temperature.

**Mounting** – Wall.

**Labels** – cETLus conforms to UL STD 1598 and UL STD 8750. Certified to CAN/CSA STD C22.2 No. 250.0. Suitable for damp locations.

**Warranty** – 5-year limited warranty, see hew.com/warranty.

### IMPORTANT:

Electrostatic sensitive unit. Observe precautions when handling.

### PHOTOMETRY

#### TEST REPORT INFORMATION

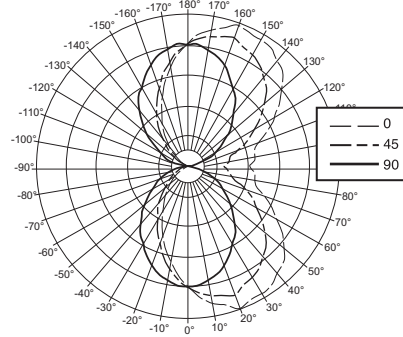
- ▶ Test Report #: 17320.0
- ▶ Date: 05/06/13
- ▶ Lamp Type: LED
- ▶ **Rated Lumens: 6488**
- ▶ **Watts: 79.5**
- ▶ **Lumens Per Watt: 81.6**
- ▶ **CRI: 84.2**
- ▶ **CCT: 4025K**

#### LUMEN SUMMARY

Zone	Lumens	% Fixture
0 - 30	873.	13.5
0 - 40	1410.	21.7
0 - 60	2413.	37.2
0 - 90	3244.	50.0
90-120	831.	12.8
90-130	1298.	20.0
90-150	2370.	36.5
90 - 180	3244.	50.0
<b>Total Luminaire:</b>		
0 - 180	6488.	100.0

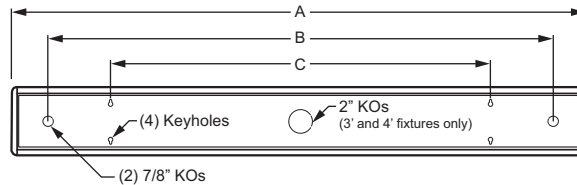
#### CANDLEPOWER DISTRIBUTION

Vertical Angle	Horizontal Angle					Zonal Lumens
	0°	45°	90°	135°	180°	
0°	1158.	1158.	1158.	1158.	1158.	
5°	1264.	1224.	1151.	1097.	1062.	110.8
15°	1374.	1280.	1075.	906.	832.	309.7
25°	1417.	1264.	945.	692.	594.	453.0
35°	1400.	1201.	800.	506.	402.	536.3
45°	1304.	1069.	615.	318.	226.	536.0
55°	1097.	863.	440.	175.	100.	466.9
65°	884.	670.	288.	67.	18.	366.3
75°	676.	449.	144.	5.	9.	252.0
85°	651.	391.	33.	17.	33.	212.6
90°	594.	358.	0.	31.	46.	
95°	647.	394.	35.	24.	39.	215.0
105°	672.	455.	146.	5.	9.	250.7
115°	878.	674.	289.	64.	16.	365.4
125°	1088.	869.	448.	178.	100.	467.3
135°	1287.	1069.	620.	318.	226.	535.1
145°	1388.	1201.	814.	509.	405.	536.6
155°	1406.	1262.	957.	695.	597.	452.8
165°	1370.	1281.	1091.	908.	836.	310.3
175°	1262.	1226.	1170.	1103.	1069.	111.3
180°	1161.	1161.	1161.	1161.	1161.	

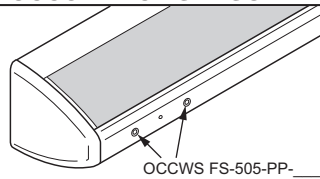


### FIXTURE DETAILS

#### BACK VIEW



### OCCUPANCY SENSOR DETAILS





Job Name: ST. CLOUD ADULT DAY CARE CENTER

Contact:

Ordering Code: 110-820 CLEAR-MC-IN-ECOBLK

Fixture Type: J

# London



820 clear



821 red



822 blue



823 amethyst



824 aqua



825 bourbon

### Description

Bruck's European and American Artisan, mouth-blown glass is known throughout the world for its quality and beauty. Several light source options, mounting options, colors and finishes allow for a unique design.

It is offered in matte chrome, chrome or bronze and is compatible with any Bruck line voltage track as well as Halo® single circuit for retrofit. Chrome and matte chrome finish provided with clear cord. Bronze finish provided with black cord. The pendant can be mounted from Bruck's field adjustable 4" Kiss Canopy and accepts CLF or medium base lamping options. Standard overall cable length of 59" can be field-cut or specified when ordering.

### Ordering Codes

Follow the steps to specify your fixture,

example:

1 Light Source	2 Shade Color	3 Finish	4 Base Option	5 Mounting Option
110 line voltage	820 clear 821 red 822 blue 823 amethyst 824 aqua 825 bourbon	bz bronze ch chrome mc matte chrome	IN medium E26 base	MP 4" Kiss Canopy ecobk ECO/HALO black ecosv ECO/HALO matte silver ecowh ECO/HALO white geobk GEO black geosv GEO matte silver geowh GEO white zonmc Zonyx matte chrome



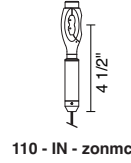
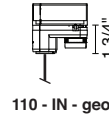
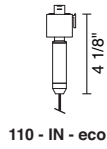
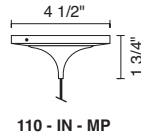
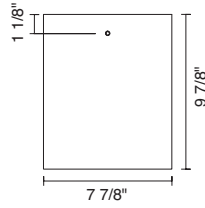


Job Name:

Contact:

Ordering Code:

Fixture Type:



**Light Source** 110 - IN - line voltage (E26)

**Performance**

LED	• lamp dependent
CCT	
CRI	
LIFE	

**Technical Specs**

Socket Listing	<ul style="list-style-type: none"> <li>• medium E26 base socket</li> <li>• ETLus Listed to UL1598, and UL1574 (Suitable for dry locations only)</li> <li>• cETL Listed to CSA C22.2 #250.0 and #9.0</li> </ul>
----------------	--

**Mounting**

4" Kiss Canopy	<ul style="list-style-type: none"> <li>• 120VAC input</li> <li>• 100W, 100VA (max 100W lamp)</li> <li>• Dimmable (with compatible lamp)</li> <li>• Mount to 3" - 4" round J-Box</li> </ul>
Line Voltage Track	<ul style="list-style-type: none"> <li>• 120VAC input</li> <li>• 100W, 100VA (max 100W lamp)</li> <li>• Dimmable (with compatible lamp)</li> <li>• Connects to line voltage adapter (ECO, GEO, Zonyx)</li> </ul>

**Warranty**

• 1 year limited fixture warranty



Made in the USA - meets the requirements of the Buy American provision within the ARRA



Job Name:

Contact:

Ordering Code:

Fixture Type:

# Vintage LED Lamps for E26 base sockets

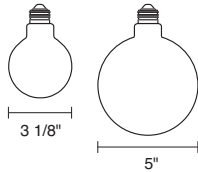


- Amber Glass Lamp with Thread LED
- Integrated Driver-Free System
- Suitable for Damp Locations
- Smooth Dimming System\*
- 25,000 Hours Warranty
- 95% Energy Savings

\*Compatible with most electronic low voltage (ELV) dimmers



## LED Globe Lamp



### Ordering Codes

Follow the steps to specify your fixture,

example:

Ordering Code	Type	Base	Lumen	Wattage /EQV	MOL	MOD	CCT <sup>2</sup>
LMP-G4030022K1	G40	E26	300lm	3.5W / 60W	7.0"	5.0"	2200K
LMP-G2518022K1	G25	E26	180lm	2.0W / 40W	4.5"	3.15"	2200K

## LED Edison Lamp



### Ordering Codes

Follow the steps to specify your fixture,

example:

Ordering Code	Type	Base	Lumen	Wattage /EQV	MOL	MOD	CCT <sup>2</sup>
LMP-ED2118022K1	ST21	E26	180lm	2.0W / 40W	5.4"	2.45"	2200K

## LED Tubular Lamp



### Ordering Codes

Follow the steps to specify your fixture,

example:

Ordering Code	Type	Base	Lumen	Wattage /EQV	MOL	MOD	CCT <sup>2</sup>
LMP-TB1030022K1	T10	E26	300lm	3.5W / 60W	7.56"	1.25"	2200K

# MEDIUM TRAPEZOID WALL PACK

# WPTZ

CATALOG #:  
WPTZ-L38/750-DRV-120

TYPE:  
K

LED

PROJECT:  
ST. CLOUD ADULT DAY CARE CENTER

NOTES:  
EXTERIOR WALL PACK LIGHT FIXTURE

EXAMPLE

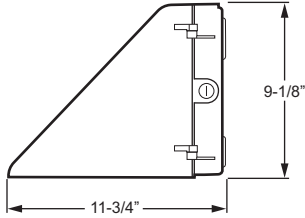
**WPTZ - L38/750 - OPTIONS - DIM - UNV**

SERIES      LUMEN PACKAGE      CRI & CCT      OPTIONS      DRIVER      VOLTAGE



## CROSS SECTION

This fixture does not comply with Buy American/ARRA and similar regulatory programs.



14-1/4" x 9-1/8" x 11-3/4"

## ORDERING INFORMATION

### SERIES

**WPTZ** Medium Trapezoid Wall Pack

### LED PACKAGE

EXAMPLE: L38/750			AVERAGE SYSTEM WATTAGE
LUMEN PACKAGE	NOMINAL LUMENS	MINIMUM CRI & CCT	
L38	3800	750 = 70 CRI, 5000K	42

### OPTIONS

<b>SF</b>	Single fuse (120V or 277V only; must specify voltage)
<b>DF</b>	Double fuse (208V or 240V only; must specify voltage)
<b>SP2</b>	2.5kV surge protection

### ACCESSORIES (only one lens-mounted accessory per fixture)

Only one lens-mounted accessory per fixture. See page 2 for details.

<b>PC</b>	Factory-provided photocell, field-installed (120V, 208V and 277V only, must specify voltage)
<b>PVS</b>	Polycarbonate vandal shield
<b>WG</b>	Stainless steel wireguard
<b>Y</b>	Adjustable yoke mount allows 40° vertical swivel (hardware included)

### DRIVER

**DIM** Driver prewired for 0-10V low voltage dimming applications

### VOLTAGE

<b>120</b>	120V
<b>208</b>	208V
<b>240</b>	240V
<b>277</b>	277V
<b>UNV</b>	120-277V
<b>347</b>	347V
<b>480</b>	480V

## FEATURES

- ▶ Dark bronze finish only.
- ▶ Clear glass lens standard.
- ▶ Fully gasketed for wet locations.
- ▶ Provides full cutoff.
- ▶ Optional stainless steel wireguard, vandal shield, and adjustable yoke mount lenses are available.
- ▶ 1/2" NPS threaded hub and plugged conduit entry points.

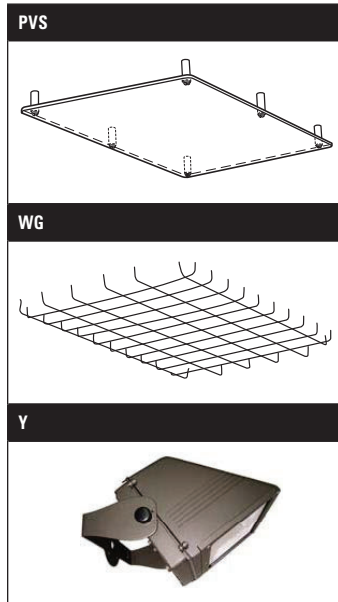


## LED

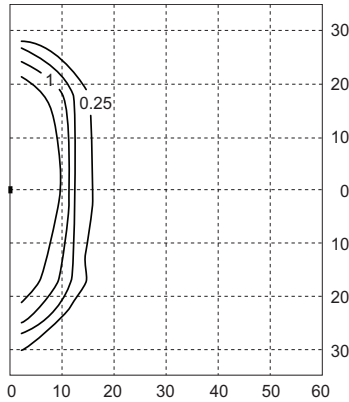
### SPECIFICATIONS

**Housing** – Heavy-duty die-cast aluminum construction.  
**Lens** – Heat and impact-resistant clear tempered glass standard.  
**Finish** – Powder coated on heavy-duty die-cast housing. Dark bronze finish only.  
**Electrical** – Electronic 120-277V or 347/480V dimmable driver. Metal core PCB LED array.  
**Mounting** – Wall mounts directly over a 4" maximum recessed outlet box or accepts 1/2" surface conduit.  
**Labels** – cCSAus listed to STD22.2 No. 250.0 certified as luminaire suitable for wet locations. 40°C maximum ambient operating temperature.  
**Warranty** – 5-year limited warranty.

### ACCESSORIES



### FOOTCANDLE DISTRIBUTION



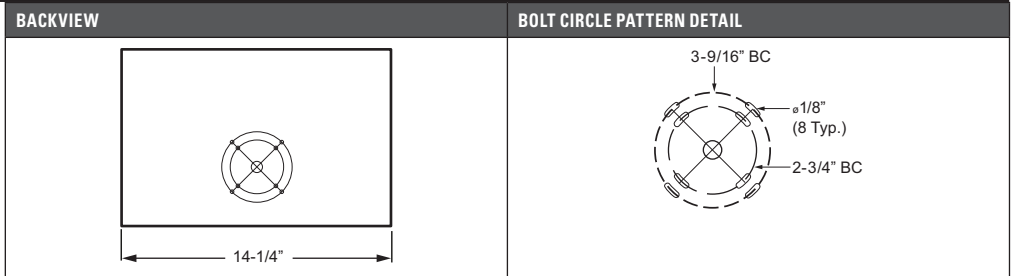
FIXTURE: **WPTZ-L38/750**

Footcandle calculations based on standard building reflectance of .10 with a ground reflectance of .0 and a light loss factor of .90.

Fixture installed at 12' mounting height.

- ▶ **Efficacy: 90 lm/W**
- ▶ **Flux: 3832 lm**
- ▶ **CRI: 72**
- ▶ **CCT: 5033**
- ▶ **BUG Ratings: B2-U1-G1**

### MOUNTING



# 6" ROUND LED SHOWER LIGHT

# LSL60

## LED

CATALOG #:  
LSL60-L40C/835-DPL-DRV-120

TYPE:  
SL

PROJECT:  
ST. CLOUD ADULT DAY CARE CENTER

NOTES:  
SHOWER LIGHT

EXAMPLE

**LSL60 - L40C/835 - DPL - OPTIONS - DIM - 120**

SERIES

LUMEN PACKAGE

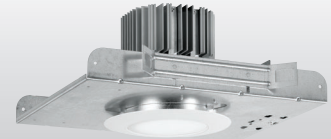
CRI & CCT

SHIELDING

OPTIONS

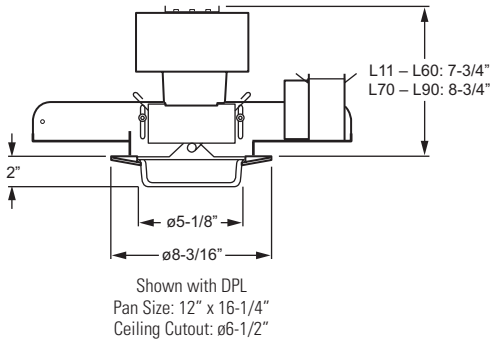
DRIVER

VOLTAGE



FGL shown

## CROSS SECTION



## ORDERING INFORMATION

### SERIES

**LSL60** 6" Round LED Shower Light

### OPTIONS

**EM/12W** 12-watt emergency driver (nominal 1400 lumens module output in EM)  
**EM/7W** 7-watt emergency driver (nominal 800 lumens module output in EM mode)

### LED PACKAGE

EXAMPLE: L40C/835		MINIMUM		AVERAGE SYSTEM WATTAGE
LUMEN PACKAGE	NOMINAL LUMENS	CRI	CCT	
L11C	1100	8 = 80 9 = 90	27=2700K 30=3000K 35=3500K 40=4000K	15
L15C	1500			19
L20C	2000			26
L30C	3000			36
L40C	4000			39
L50C <sup>1</sup>	5000			51
L60C <sup>1</sup>	6000			65
L70C <sup>1</sup>	7000			62
L80C <sup>1</sup>	8000			72
L90C <sup>1</sup>	9000			80

Nominal lumens based on 3500K CCT, actual lumens may vary.

### DRIVER

Additional dimming drivers available, [see Information Section](#).  
**DRV** Driver prewired for non-dimming applications  
**DIM** Driver prewired for 0-10V low voltage dimming applications

### VOLTAGE (Must specify)

**120** 120V  
**277** 277V

### SHIELDING (Must specify)

**DPL** Drop opal plastic diffuser with flange  
**DGL** Drop opal glass lens with ABS trim  
**FGL** Flush stippled glass lens with steel trim

## FEATURES

- ▶ Rated for >55,000 hours at 70% lumen maintenance (L70).
- ▶ Module lumens from 1100 to 9000.
- ▶ 2700K, 3000K, 3500K, or 4000K color temperatures, minimum 80 or 90 CRI.
- ▶ LED module and driver accessible from below ceiling plane for ease of maintenance (up to 4000 lumens).
- ▶ Optional system-integrated emergency LED driver available.
- ▶ Finned, extruded aluminum, passive heat sink dissipates heat for superior thermal management.
- ▶ Adjustable hanger brackets for bar hangers standard.
- ▶ Optional flush stippled glass lens with steel trim.
- ▶ Sturdy one-piece pan construction.
- ▶ This fixture is proudly made in the USA.

<sup>1</sup> Available with DRV or DIM driver options only. Top access required for driver maintenance.



# LSL60

# 6" ROUND LED SHOWER LIGHT

LED

Catalog #: **LSL60-L40C/835-DPL-DIM-120**

## SPECIFICATIONS

**Housing** – 20-gauge die-formed galvanized steel pan/plaster frame. Extruded aluminum heat sink.

**Reflector** – Low-iridescent aluminum. Clear semi-specular (CS) finish standard.

**Electrical** – Prewired at factory for easy field installation. Integral thermal protector. High quality class 2 C.O.B LED array. Reported L70 >55,000 hours.

**Mounting** – Recessed.

**Labels** – cETLus conforms to UL STD 1598; Certified to CAN/CSA STD C22.2 No. 250.0. Suitable for wet location under covered.

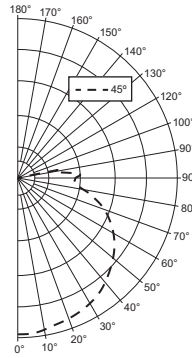
**Qualifications** – RoHS compliant.

**Warranty** – 5-year limited warranty, see hew.com/warranty.

## PHOTOMETRY

### TEST REPORT INFORMATION

- ▶ Test Report #: 1217949
- ▶ Date: 03/10/16
- ▶ Lamp Type: LED
- ▶ **Rated Lumens: 928**
- ▶ **Watts: 39.4**
- ▶ **Lumens Per Watt: 23.5**
- ▶ **CRI: 85.2**
- ▶ **CCT: 3355K**



### CANDLEPOWER DISTRIBUTION

Vertical Angle	Horizontal Angle 0°	Zonal Lumens
0°	204.	
5°	204.	4.9
15°	197.	23.5
25°	191.	40.3
35°	181.	54.1
45°	166.	62.7
55°	149.	66.5
65°	127.	64.5
75°	99.	55.8
85°	71.	41.0
90°	73.	39.3
95°	70.	41.5
105°	0.	10.7
115°	0.	.0
125°	0.	.0
135°	0.	.0
145°	0.	.0
155°	0.	.0
165°	0.	.0
175°	0.	.0
180°	0.	

### LUMEN SUMMARY

Zone	Lumens	% Fixture
0 - 40	276.	29.7
0 - 60	537.	57.8
0 - 90	847.	91.2
<b>Total Luminaire:</b>		
0 - 180	929.	100.0
IES Spacing Criteria: 0-180 = 1.37 90-270 = 1.37		

### COLOR TEMPERATURE MULTIPLIERS

CCT/CRI	Conversion Factor
2700K/80CRI	0.95
3000K/80CRI	0.96
3500K/80CRI	1.00
4000K/80CRI	1.01
2700K/90CRI	0.74
3000K/90CRI	0.85
3500K/90CRI	0.90
4000K/90CRI	0.91

## FIXTURE PERFORMANCE DATA

Lumen Package	Average System Wattage	Delivered Lumens	Efficacy (lm/W)
L11C	15	328	21.4
L15C	19	423	22.2
L20C	26	528	19.9
L30C	36	782	21.8
L40C	39	928	23.5
L50C	51	1121	21.8
L60C	65	1398	21.6
L70C	62	1697	27.2
L80C	72	1814	25.1
L90C	80	3050	38.0





High performance 26W LED Vaporproof fixture. A classic design with cutting edge LED technology. Comes with die cast guard and frosted globe.

Color: Natural

Weight: 5.0 lbs

**Project:**  
ST. CLOUD

**Type:**  
RL

**Prepared By:**  
WAYNE MEYER

**Date:**  
4/13/2016

#### Driver Info

Type: Constant Current  
120V: 0.25A  
208V: 0.14A  
240V: 0.13A  
277V: 0.11A  
Input Watts: 27W  
Efficiency: 96%

#### LED Info

Watts: 26W  
Color Temp: 4900K (Cool)  
Color Accuracy: 68 CRI  
L70 Lifespan: 100000  
Lumens: 2,004  
Efficacy: 74 LPW

## Technical Specifications

### Listings

#### UL Listing:

Suitable for wet locations as downlight.

#### IESNA LM-79 & LM-80 Testing:

RAB LED luminaires have been tested by an independent laboratory in accordance with IESNA LM-79 and LM-80, and have received the Department of Energy "Lighting Facts" label.

### LED Characteristics

#### Lifespan:

100,000-hour LED lifespan based on IES LM-80 results and TM-21 calculations.

#### LED:

Multi-chip 26W high-output, long-life LED.

#### Color Consistency:

3-step MacAdam Ellipse binning to achieve consistent fixture-to-fixture color.

#### Color Stability:

LED color temperature is warranted to shift no more than 200K in CCT over a 5 year period.

#### Color Uniformity:

RAB's range of CCT (Correlated Color Temperature) follows the guidelines of the American National Standard for Specifications for the Chromaticity of Solid State Lighting (SSL) Products, ANSI C38.377-2011.

### Construction

#### Globes and Guards:

Vaporproof LEDs are compatible with RAB Globes and Guards.

#### Cold Weather Starting:

Minimum starting temperature is -40°F / -40°C.

#### Ambient Temperature:

Suitable for use in 40°C (104°F) ambient temps.

#### Housing:

All die-cast aluminum construction.

#### Gaskets:

High temperature silicone.

#### Finish:

Natural shot blasted aluminum.

#### Mounting:

(3) 1/2" NPS conduit entry points.

#### Guard and Globe:

Shot blasted guard with frosted globe.

#### Green Technology:

RAB LEDs are Mercury and UV Free, and RoHS compliant.

### Electrical

#### Driver:

Constant Current, 100V-277V, 50/60 Hz, 0.48 Amp, Power Factor 97.9%.

#### Other

#### Thermal Management (Patent Pending):

Die-cast LED housing designed for maximum heat dissipation.

#### California Title 24:

LVAPOR complies with California Title 24 building and electrical codes.

#### Patents:

The design of the LVAPOR is protected by the following patents US pat. pending; D651738 CN ZL201230040341.3; ZL201130028360.X, TW pat. 101301367 MX 35699; pat. pending CA.

#### Country of Origin:

Designed by RAB in New Jersey and assembled in Taiwan.

#### Trade Agreements Act Compliant:

This product is a product of Taiwan and a "designated country" end product that complies with the Trade Agreements Act.

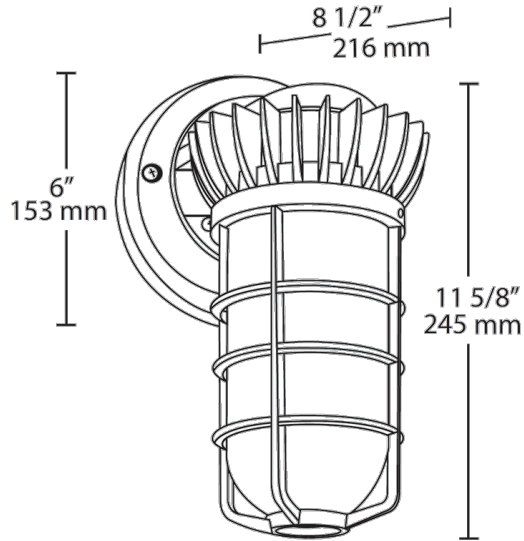
#### GSA Schedule:

Suitable in accordance with FAR Subpart 25.4.

#### Warranty:

RAB warrants that our LED products will be free from defects in materials and workmanship for a period of five (5) years from the date of delivery to the end user, including coverage of light output, color stability, driver performance and fixture finish.

## Dimensions



## Features

- Superior Thermal Management (Patent Pending)
- All Die-Cast Aluminum Construction
- 100,000 hour life based on LM-80 tests
- Thermal Shock-Resistant Frosted Glass Globe
- Traditional Look, Cutting-Edge Technology
- 5-year LED warranty



# SOLID FRONT UNDER CABINET LIGHT

# 1SF

CATALOG #:  
1SF-4-L24/835-AF12125-DRV-120

TYPE:  
UC

LED

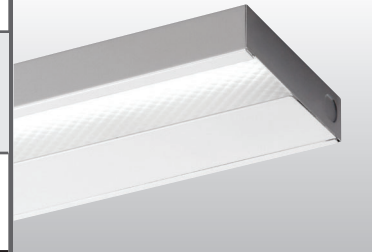
PROJECT:  
ST. CLOUD ADULT DAY CARE CENTER

NOTES:  
UNDER COUNTER LIGHT FIXTURE

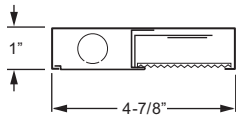
EXAMPLE

**1SF - 4 - L24/835 - AF12125 - OPTIONS - DRV - UNV**

SERIES    NOMINAL LENGTH    LUMEN PACKAGE    CRI & CCT    SHIELDING    OPTIONS    DRIVER    VOLTAGE



## CROSS SECTION



## ORDERING INFORMATION

### SERIES

**1SF** Solid Front Under Cabinet Light

### NOMINAL LENGTH

2	2'
3	3'
4	4'

### LED PACKAGE

EXAMPLE: L24/840			AVERAGE SYSTEM WATTAGE
LUMEN PACKAGE	NOMINAL LUMENS	MINIMUM CRI & CCT	
<b>2' UNIT</b>			14
L12	1,200	830 = 82 CRI, 3000K 835 = 82 CRI, 3500K 840 = 82 CRI, 4000K	
<b>3' UNIT</b>			21
L18	1,800		
<b>4' UNIT</b>			29
L24	2,400		

### SHIELDING

**AF12125** Frosted acrylic, pattern #12, .125" thick

### OPTIONS

Not available with EM option.  
**GCO** Grounded convenience outlet (120V only)  
**C&P/120** 6-1/2' cord and plug, NEMA 5-15P (120V only)  
**WRS/120** White rocker switch (120V only)  
**AMW** Anti-microbial white finish

### OCCUPANCY SENSOR

Factory-installed, passive infrared sensor (120V or 277V only).  
**OCCLV OSF10-10W<sup>1</sup>** Occupancy sensor<sup>1</sup>

### DRIVER

**DRV** Driver prewired for non-dimming applications  
**DIM** Driver prewired for 0-10V low-voltage dimming applications

### VOLTAGE

**120** 120V  
**277** 277V  
**UNV** 120-277V

## FEATURES

- ▶ Small profile allows inconspicuous placement in confined spaces.
- ▶ Provides uniform, glare-free task lighting.
- ▶ Housing keyhole slots and knockouts provide quick and easy installation.
- ▶ Individual or continuous row mounting.
- ▶ All-welded construction provides long lasting performance.
- ▶ Optional anti-microbial white finish available for use in healthcare applications.
- ▶ LED technology provides high efficacy and energy efficiency.
- ▶ Rated for 50,000 hours at 85% lumen maintenance (L85).
- ▶ Minimum 82 CRI; 3000K, 3500K, or 4000K CCT.
- ▶ This fixture is proudly made in the USA.

<sup>1</sup> Available for 3' and 4' fixtures only.



### SPECIFICATIONS

- Housing** – 20-gauge die-formed, welded C.R.S.
- Shielding** – Frosted acrylic, pattern #12, .125" thick.
- Finish** – 92% minimum average reflective white polyester powder coat bonded to phosphate-free, multi-stage pretreated metal. All parts painted after fabrication to facilitate installation, increase efficiency, and inhibit corrosion.
- Electrical** – High quality mid-power LED board(s). L85 at 50,000 hours. 25°C maximum ambient operating temperature.
- Mounting** – Surface.
- Labels** – cCSAus certified as luminaire suitable for dry or damp locations.
- Warranty** – 5-year limited warranty, see hew.com/warranty.

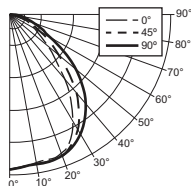
### IMPORTANT:

Electrostatic sensitive unit. Observe precautions when handling.

### PHOTOMETRY

#### TEST REPORT INFORMATION

- ▶ Date: 08/07/14
- ▶ Lamp Type: LED
- ▶ **Rated Lumens: 2424**
- ▶ **Watts: 29**
- ▶ **Lumens Per Watt: 83.6**
- ▶ **CRI: 82**
- ▶ **CCT: 3500K**



#### CANDLEPOWER DISTRIBUTION

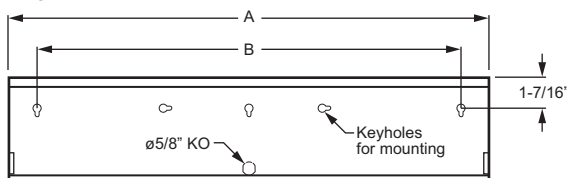
Vertical Angle	Horizontal Angle			Zonal Lumens
	0°	45°	90°	
0°	1079.	1079.	1079.	101.8
10°	1047.	1051.	1062.	101.8
20°	1034.	1045.	1051.	297.3
30°	876.	935.	978.	457.5
40°	590.	712.	821.	515.4
50°	341.	454.	599.	453.2
60°	184.	232.	336.	318.3
70°	92.	103.	138.	176.9
80°	50.	50.	50.	84.3
90°	17.	18.	10.	35.8

#### LUMEN SUMMARY

Zone	Lumens	% Fixture
0° - 30°	857.	35.1
0° - 40°	1372.	56.2
0° - 60°	2144.	87.8
0° - 90°	2440.	100.0
<b>Total Luminaire:</b>		
0° - 180°	2440.	100.0
IES Spacing Criteria: End = 1.2 Diagonal = 1.3 Across = 1.3		

### FIXTURE DETAILS

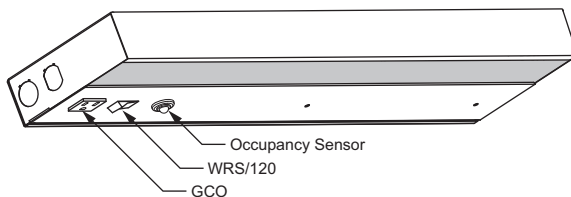
#### BACK VIEW



Back of housing provided with adequate keyhole slots and knockout for mounting and wiring.

NOMINAL LENGTH	DIMENSION	
	A	B
2'	22-5/8"	20"
3'	34-3/8"	29"
4'	46-1/4"	38"

#### OPTIONS



## Low Capacity Mini Inverter Series

Interruptible unit equipment



### Housing

- Heavy-duty steel cabinet
- White baked on powder paint coating provides scratch and corrosion resistance

### Mounting

- Surface mount
- Recessed T-bar (plenum rated)

### Lamp types operated

- LED
- Incandescent
- Fluorescent
- Operates switched, normally-on or normally-off fixture types, incandescent,
- LED, fluorescent and ballast combinations, including triac dimmable ballasts<sup>1</sup>

### Load capacity

- 32W, 55W
- Allows for remote mounting of the emergency fixtures at distances of up to 1000 feet
- May accept load when load feature power factor range from 0.44 lead to 0.44 lag

### Electronics

- Pure sine wave inverter
- Temperature compensated charger
- Low battery voltage disconnect
- Unit comes standard with electronic lockout and brownout circuits

### Controls

- Control panel with momentary test switch, AC-On, Charger-On and
- Inverter-On LED indicators
- Sealed maintenance-free battery
- 12V oversized valve regulated lead-calcium (VRLA) battery
- Provides 90 minutes of emergency operation

### Power requirements

- Choice of voltage: 120V in/120V out or 277V in/277V out operation, 60Hz

### Approvals

- UL 924 Standard
- Meets or exceeds all National Electric Codes and Life Safety Code
- Emergency lighting requirements

### Warranty (subject to proper installation and maintenance)

- Unit has a three year full warranty (excluding lamps and fuses).
  - Battery has a three-year full, plus an additional three year pro-rata warranty
- Detailed warranty terms located on page 202 or online at: [www.emergi-lite.com/usa/files/EL\\_Warranty.pdf](http://www.emergi-lite.com/usa/files/EL_Warranty.pdf)

All Emergi-Lite® inverter products receive 100% quality inspection before shipment to insure proper and satisfactory operation.

<sup>1</sup>When using Hi-Bay fixtures or screw in type lamps, please consult the factory.

—  
Specifications

Transfer time	Voltage regulation on emergency	Frequency regulation on emergency	Load power factor range	Operating temperature
Less than 1 second	+/- 5%	60 Hz +/- 0.5%	0.44 lead to 0.44 lag	68° to 86°F (20° to 30°C)

—  
Electrical characteristics and dimensions

System type	Power rating	Sine wave	Installation	Cabinet dimensions			No. of battery	Weight 120V & 277V
				Width	Height	Depth		
EMILC32-S	32W/VA	Yes	Surface mount	14-3/4"	6-7/8"	3-1/8"	1	14 lbs
EMILC32-T	32W/VA	Yes	T-grid mount	23-7/8"	6-1/4"	4"	1	15 lbs
EMILC55-S	55W/VA	Yes	Surface mount	14-3/4"	6-7/8"	4-3/8"	1	18 lbs
EMILC55-T	55W/VA	Yes	T-grid mount	23-7/8"	6-1/4"	4"	1	19 lbs

NOTE: For wiring diagram, please refer to the specification sheets

—  
Power consumption and unit rating

Model number	Input rating	Emergency power available for load (90min)
EMILC32	41VA	32W
EMILC55	64VA	55W

—  
How to order

Series	Capacity	Voltage	Battery type	Mounting
EMILC	32= 32W/VA 55= 55W/VA	Blank= 120/277VAC	Blank= Lead-calcium	-S= Surface mount housing -T= Plenum rated ceiling T-grid mount housing

Example: EMILC32-S