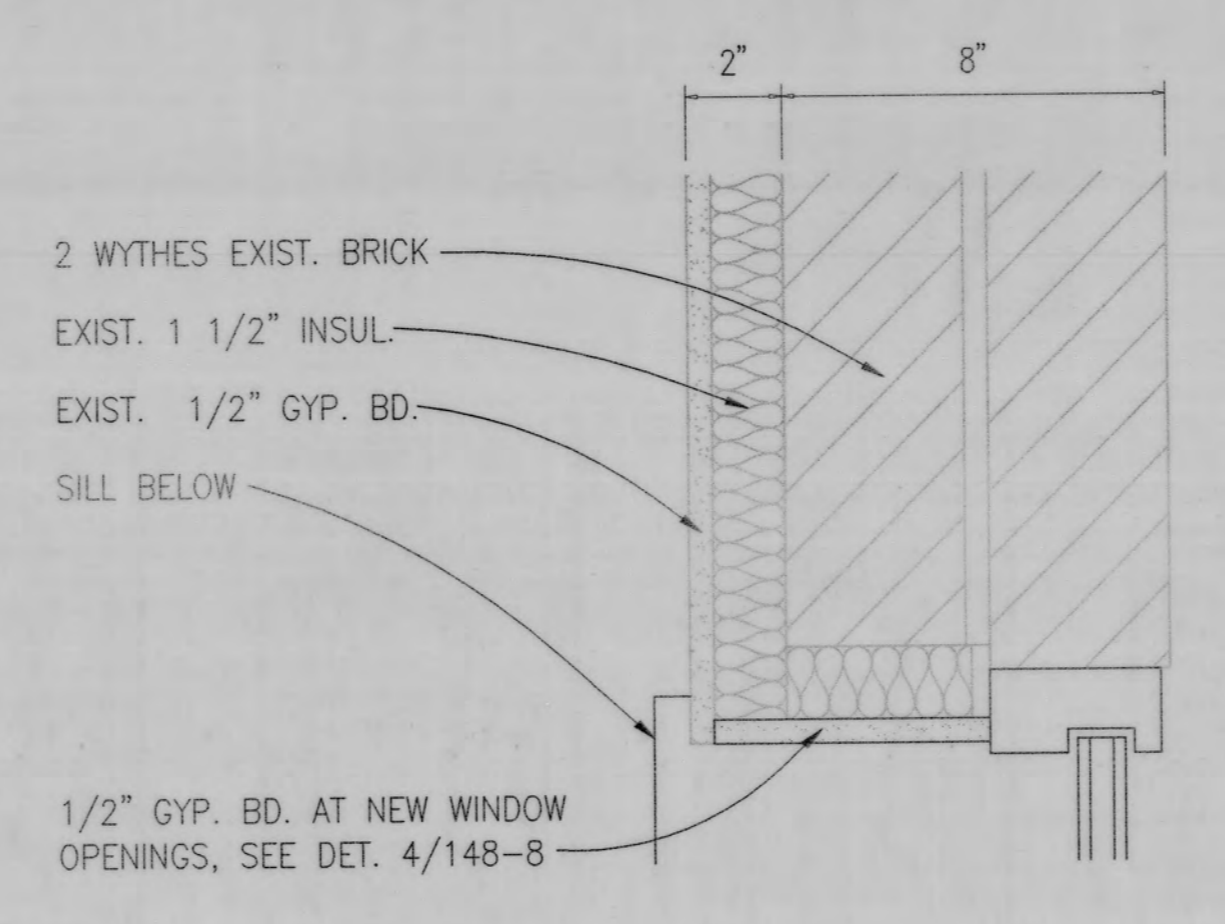
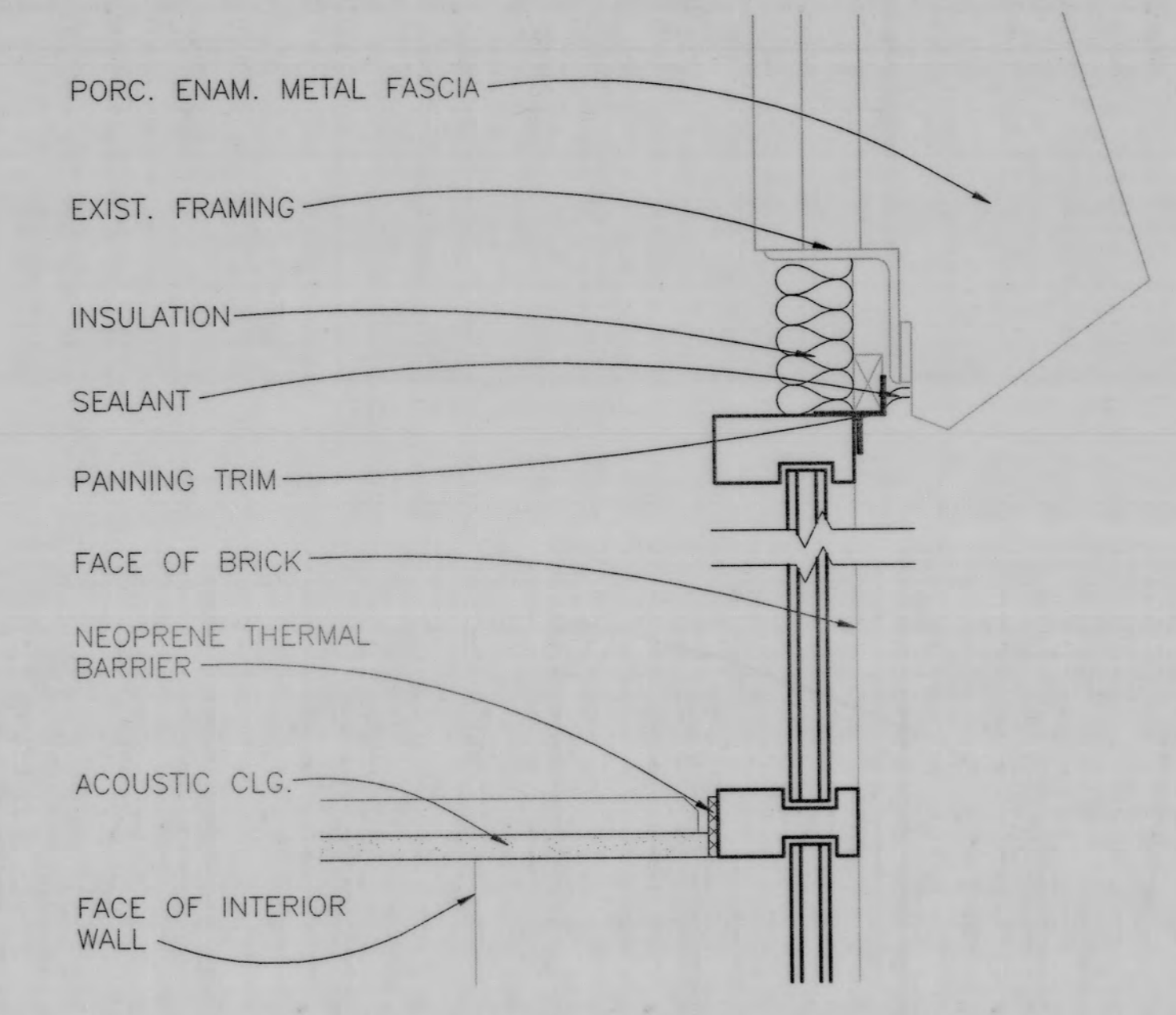


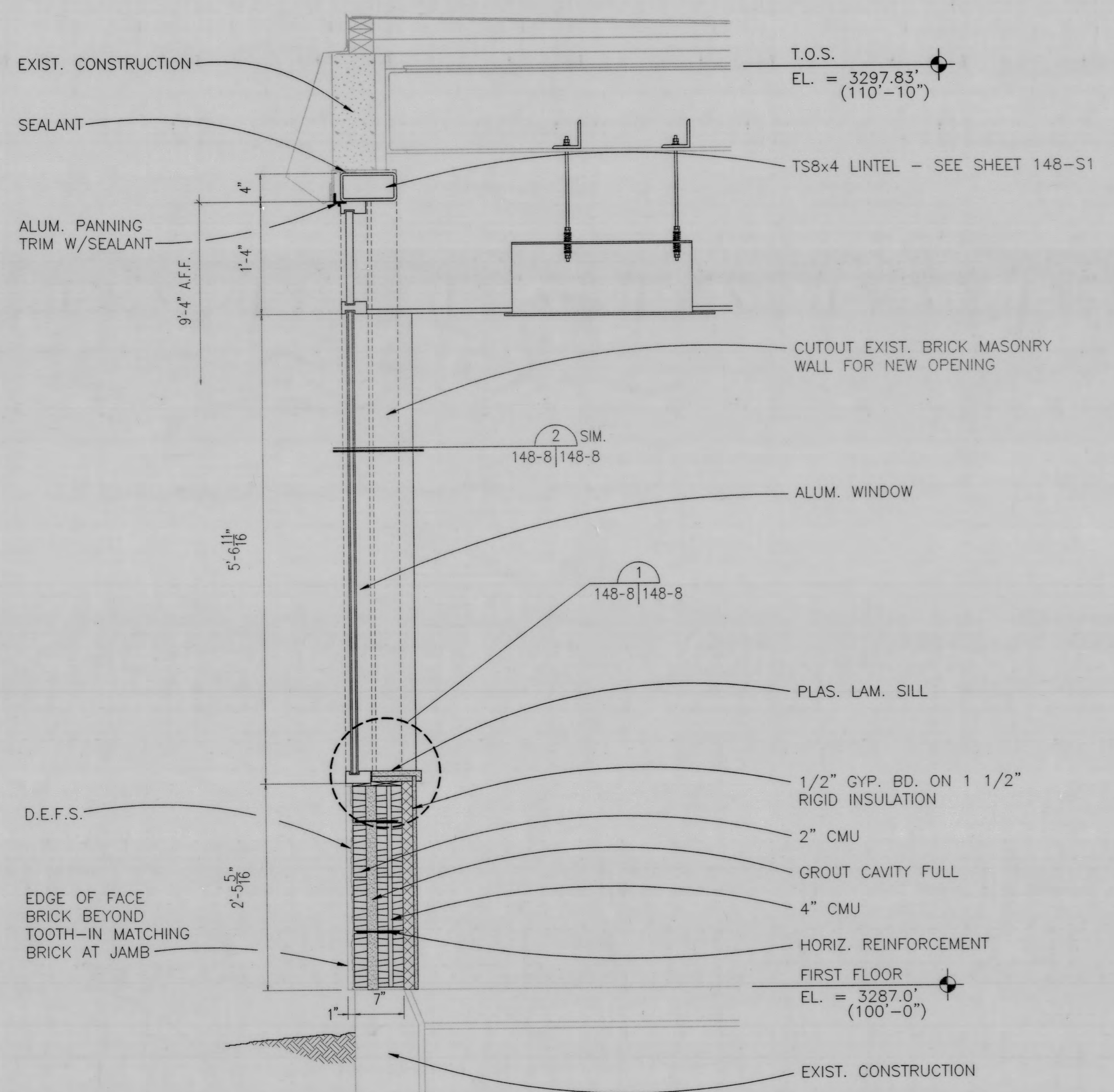
1 SILL DETAIL  
148-8|148-8 SCALE: 3" = 1'-0"



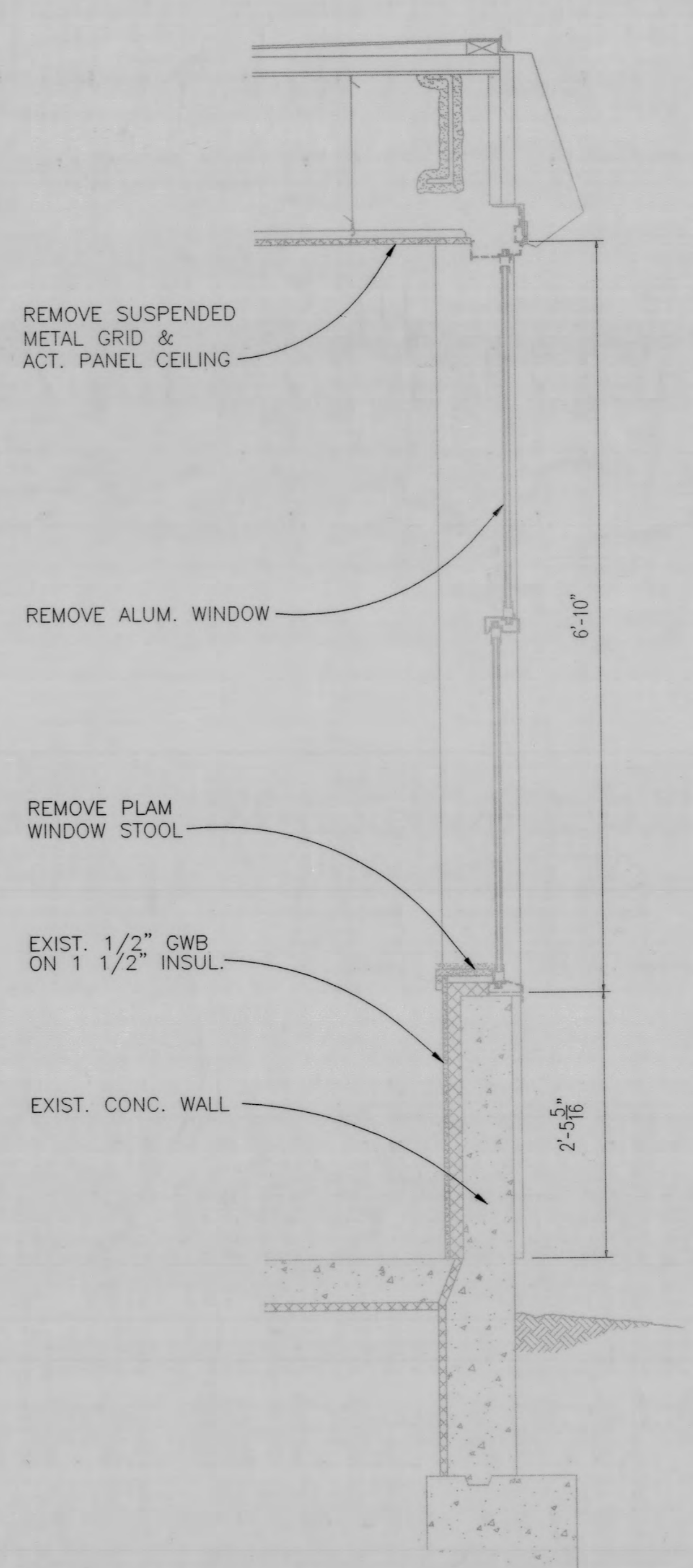
2 JAMB DETAIL  
148-8|148-8 SCALE: 3" = 1'-0"



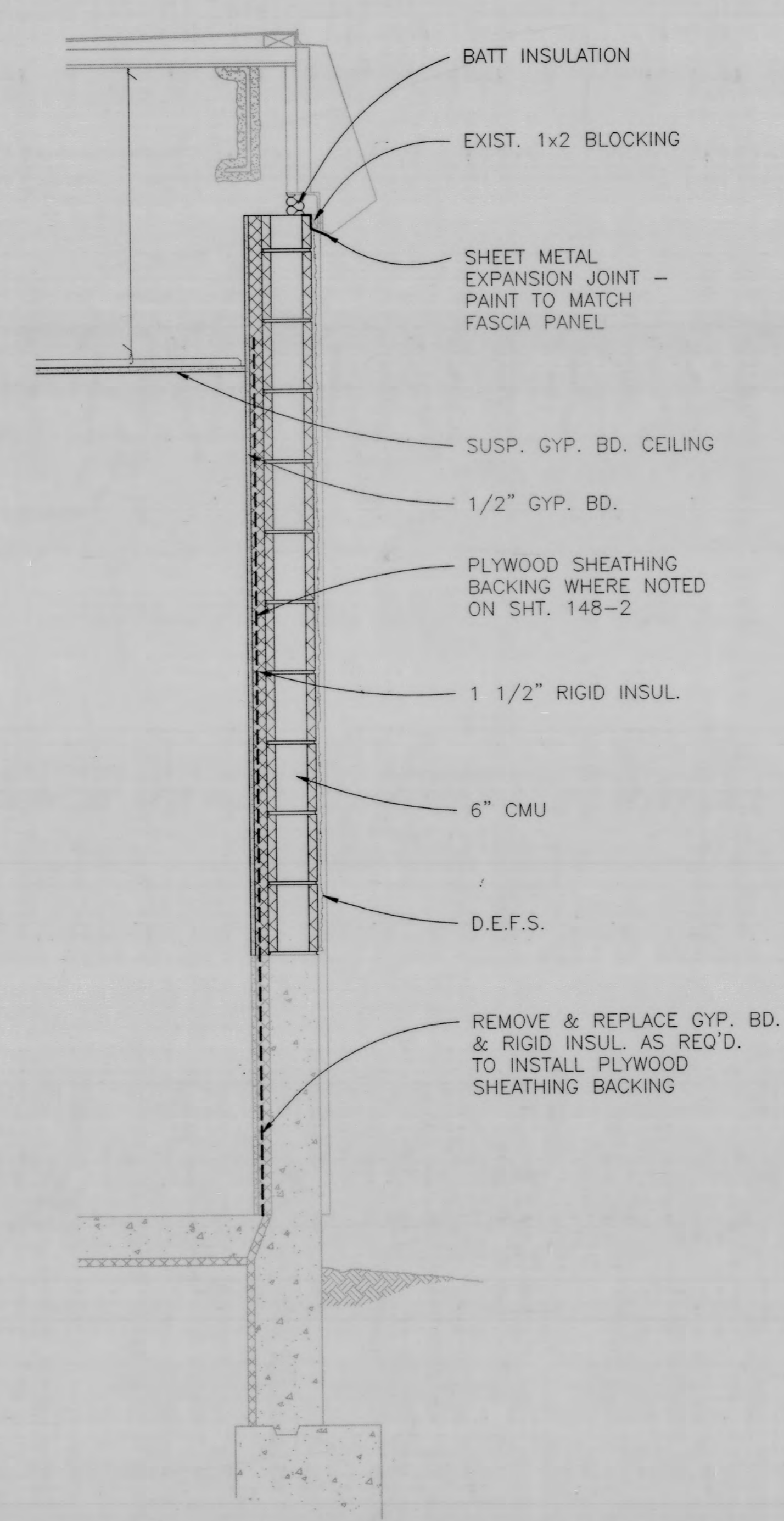
3 HEAD DETAIL  
148-8|148-8 SCALE: 3" = 1'-0"



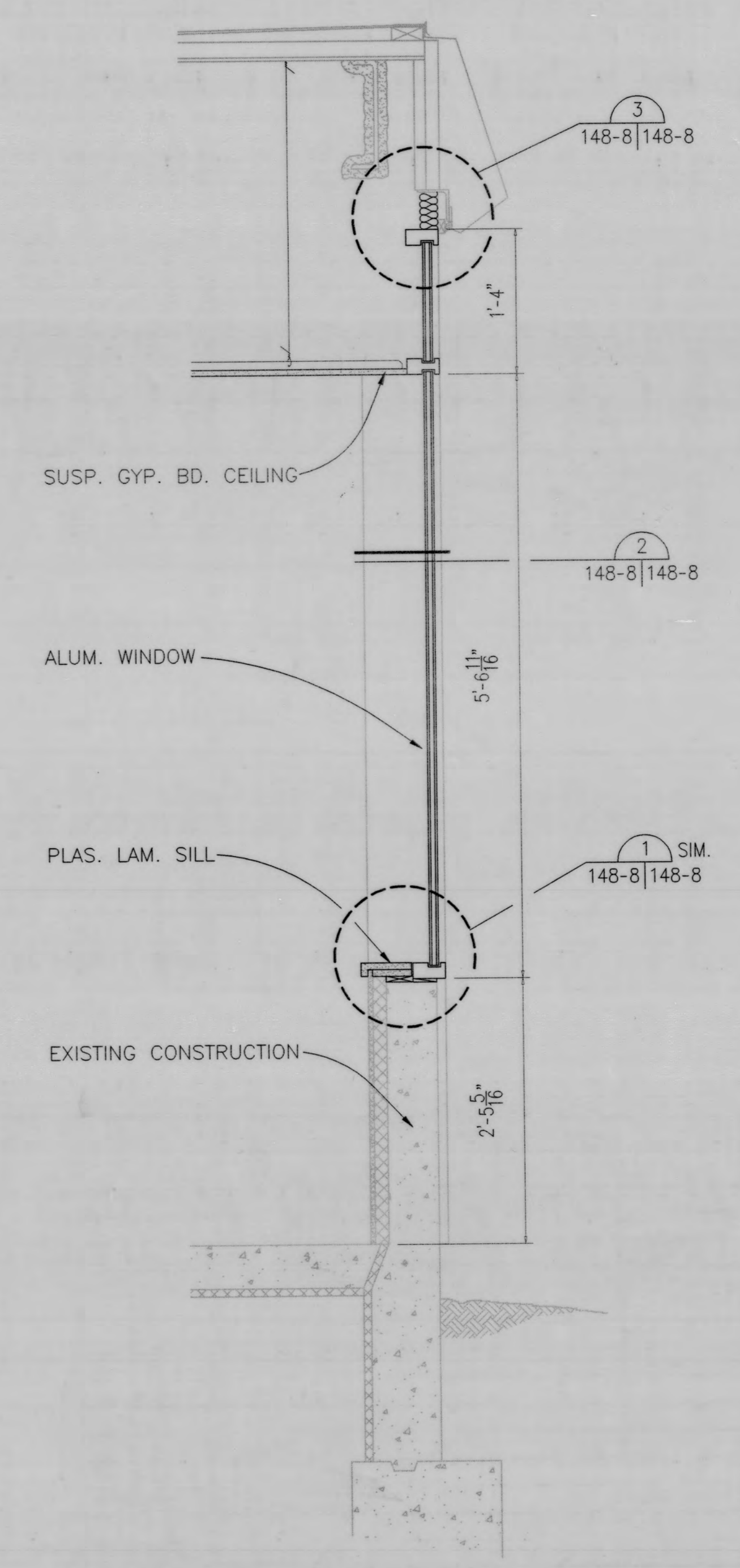
4 WALL SECTION @ NEW WINDOW  
148-2|148-8 SCALE: 1" = 1'-0"



A. EXISTING WINDOW



B. WINDOW INFILL



C. WINDOW REPLACEMENT

5 WALL SECTION @ EXISTING WINDOW  
148-2|148-8 SCALE: 1" = 1'-0"

V:\AMC\148-8.dwg 103101 111731

Record Drawings	11/01
Revisions	Date

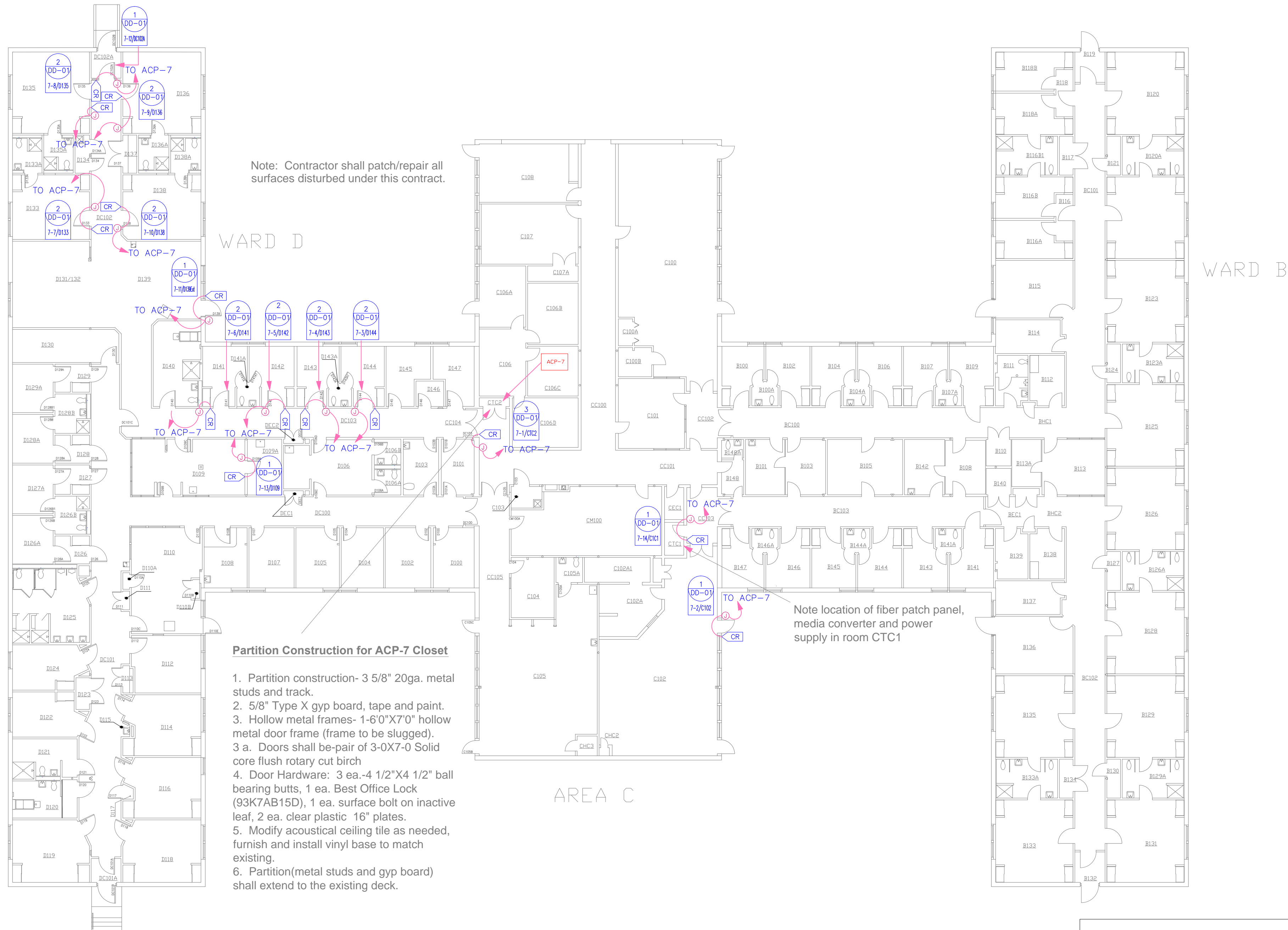


Approved: Chief Engineering Services
Approved: Associate Director
Approved: Chief of Staff
Approved: Medical Center Director

Drawing Title WALL SECTIONS	
Approved Project Director	

Project title CONSOLIDATE MHBS		Date 11/29/99
Building Number 148		Project No. 568-305
Checked MJH	Drawn ZPB	DRAWING NO. 148-8
Location FORT MEADE, SD		Dwg. of

Veterans Affairs



Note: Contractor shall patch/repair all surfaces disturbed under this contract.

WARD D

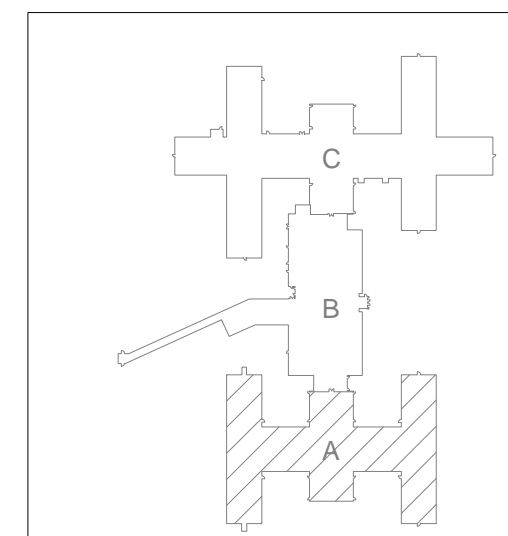
WARD B

AREA C

**Partition Construction for ACP-7 Closet**

1. Partition construction- 3 5/8" 20ga. metal studs and track.
2. 5/8" Type X gyp board, tape and paint.
3. Hollow metal frames- 1-6'0"X7'0" hollow metal door frame (frame to be slugged).
- 3 a. Doors shall be pair of 3-0X7-0 Solid core flush rotary cut birch
4. Door Hardware: 3 ea.-4 1/2"X4 1/2" ball bearing butts, 1 ea. Best Office Lock (93K7AB15D), 1 ea. surface bolt on inactive leaf, 2 ea. clear plastic 16" plates.
5. Modify acoustical ceiling tile as needed, furnish and install vinyl base to match existing.
6. Partition(metal studs and gyp board) shall extend to the existing deck.

Note location of fiber patch panel, media converter and power supply in room CTC1

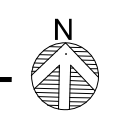


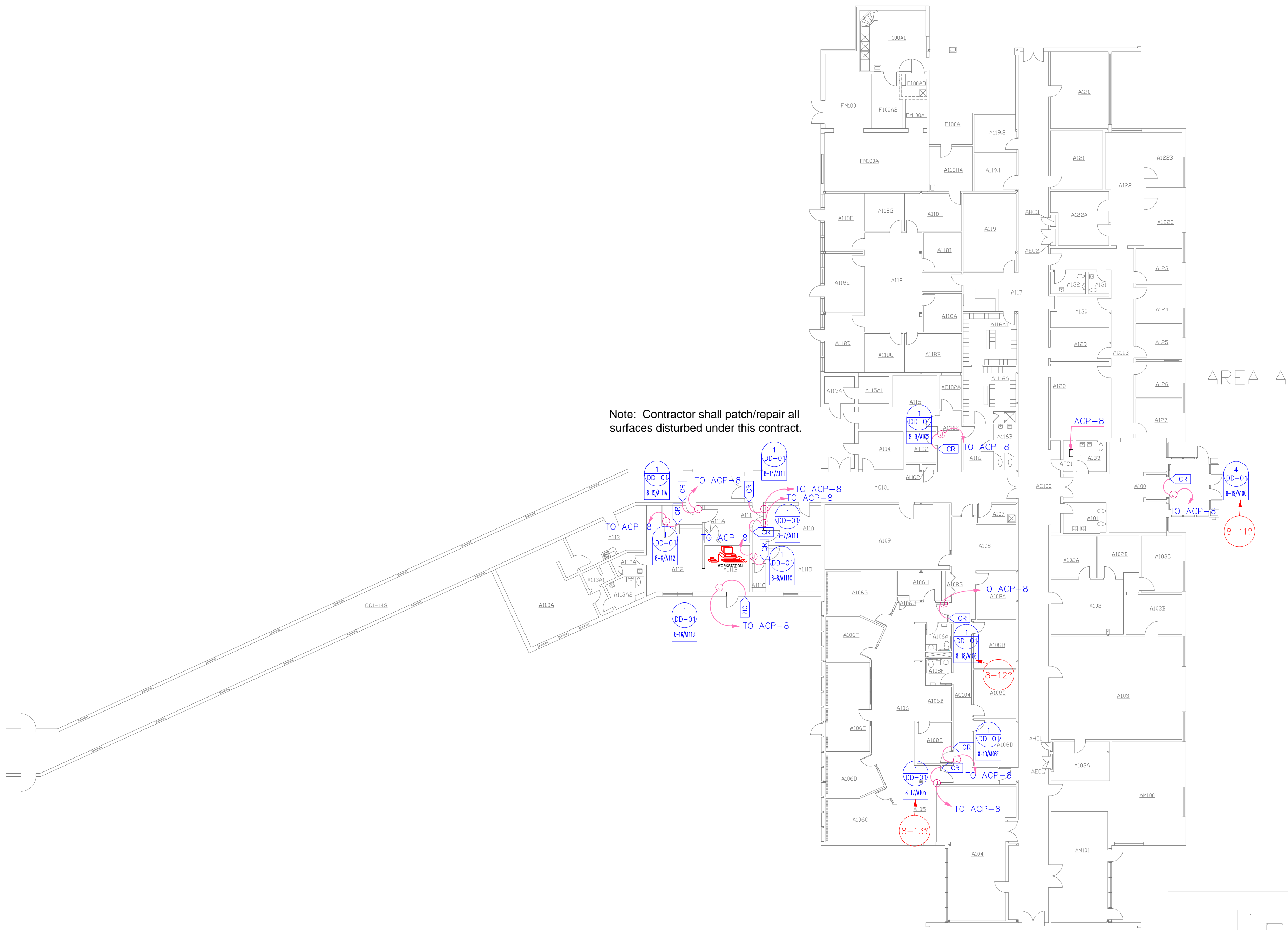
Revisions Per RFP #4	JSV	DATE	05-02-11
Partitions Notes, Location of CTC1	SRM	DATE	04-16-10
Revised Door Numbers	SRM	DATE	04-06-10
REVISION	ECN	DATE	
Drawn By: SRM		DATE	03-19-10
Upgrade Security Systems for Medical Center Project No. 586-09-199			

**Veterans' Administration  
Medical Center,  
Fort Meade, SD**

FIRST FL  
BLDG 148-A  
SECURITY SYS

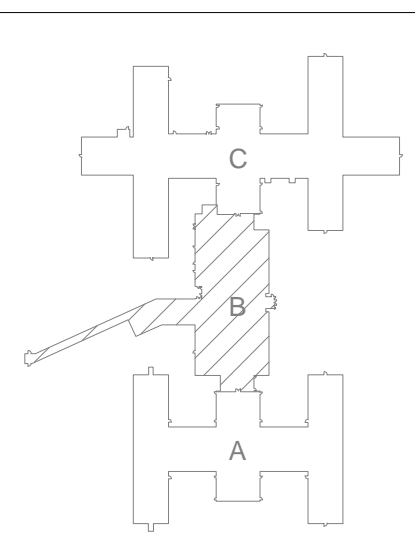
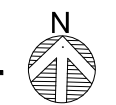
DD-14





Note: Contractor shall patch/repair all surfaces disturbed under this contract.

FIRST FLOOR BUILDING #148-PART B



Veterans' Administration  
 Medical Center,  
 Fort Meade, SD

FIRST FL  
 BLDG 148-B  
 SECURITY SYS

DD-15

Revisions Per RFP #4	JSV	DATE
Revised Door Numbers	SRM	04-06-10
REVISION	ECN	DATE
Drawn By: SRM		03-19-10
Upgrade Security Systems for Medical Center Project No. 568-09-109		