

1 BASEMENT HVAC DEMOLITION PLAN
SCALE: 1/8" = 1'-0"

VENTILATION DEMOLITION NOTES:

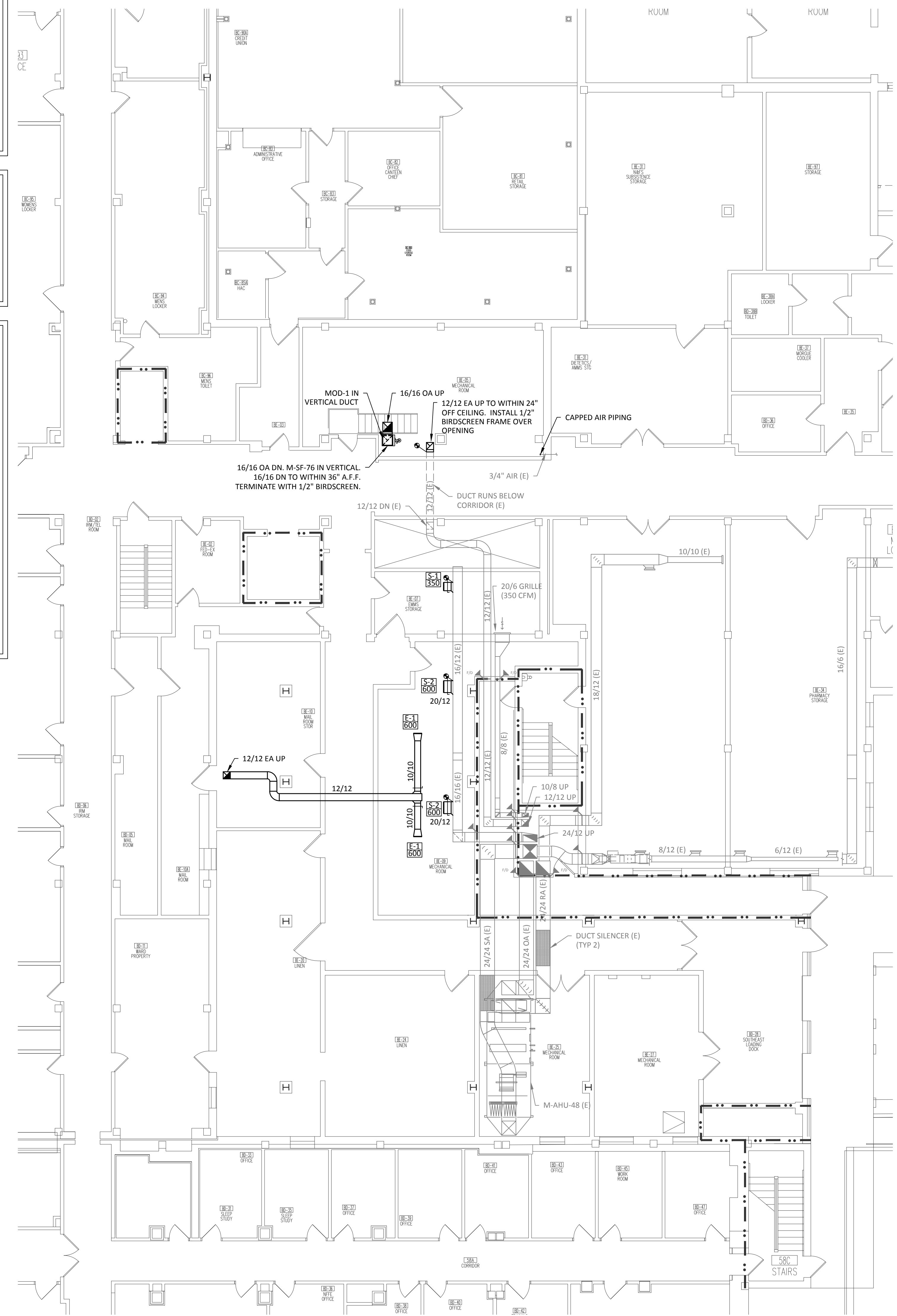
- DEMOLITION DRAWINGS ARE DIAGRAMMATIC ONLY AND ARE BASED ON CASUAL FIELD OBSERVATION AND EXISTING RECORD DRAWINGS. CONTRACTOR SHALL VERIFY ALL EXISTING CONDITIONS PRIOR TO BEGINNING WORK AND NOTIFY THE ARCHITECT/ENGINEER OF ANY DISCREPANCIES BETWEEN THE "AS-BUILT" CONDITIONS AND THESE DRAWINGS.
- THIS CONTRACTOR IS RESPONSIBLE FOR REMOVAL AND RE-INSTALLING OF EXISTING CEILING TILE NOT REMOVED BY THE GENERAL CONTRACTOR FOR THE DEMOLITION OF EXISTING VENTILATION DUCTWORK, EQUIPMENT, ETC. VERIFY WITH ARCHITECTURAL PLANS FOR CEILING WORK BY THE GENERAL CONTRACTOR. ANY CEILING TILE OR GRID DAMAGED DURING CONSTRUCTION SHALL BE REPLACED NEW BY THIS CONTRACTOR.
- ALL CUTTING/PATCHING OF WALL, FLOOR, AND ROOF SHALL BE BY G.C.

DEMO NOTES:

- DEMO EXHAUST AIR DUCT, HANGERS, GRILLES, FIRE DAMPER AND ALL ASSOCIATED ITEMS.
- DEMO SUPPLY AIR DUCT. PATCH AND SEAL DUCT MAIN AND INSULATE TO MATCH EXISTING.
- DEMO VERTICAL SUPPLY AIR DUCT IN MECHANICAL ROOM. CAP, SEAL AND INSULATE TO MATCH EXISTING DUCT AT WALL.
- DEMO ABANDONED 3/4" AIR LINE AND HANGERS TO MECHANICAL ROOM WALL AS SHOWN AND CAP.

VENTILATION NOTES:

- CONTRACTOR SHALL VERIFY ALL EXISTING CONDITIONS PRIOR TO BEGINNING WORK AND NOTIFY THE ARCHITECT/ENGINEER OF ANY DISCREPANCIES BETWEEN THE "AS-BUILT" CONDITIONS AND THESE DRAWINGS.
- COORDINATE ALL DUCTWORK INSTALLATION WITH GENERAL, PLUMBING, FIRE PROTECTION, AND ELECTRICAL CONTRACTORS. INSTALL ALL DUCTWORK AS HIGH AS POSSIBLE. PROVIDE ALL NECESSARY OFFSETS (DROPS AND RISES) TO KEEP DUCTWORK TIGHT TO THE STRUCTURE ABOVE. OFFSET DUCTWORK TO AVOID BEAMS.
- REFER TO AND COORDINATE WITH THE ARCHITECTURAL PLANS FOR CEILING TYPES, HEIGHTS, SOFFIT AREAS, AND ELEVATIONS FOR INSTALLATION OF NEW DUCTWORK, EQUIPMENT, ETC.
- THIS CONTRACTOR IS RESPONSIBLE FOR REMOVAL AND RE-INSTALLING OF EXISTING CEILING TILE NOT REMOVED BY THE GENERAL CONTRACTOR FOR THE INSTALLATION OF NEW DUCTWORK, EQUIPMENT, ETC. VERIFY WITH ARCHITECTURAL PLANS FOR CEILING WORK BY THE GENERAL CONTRACTOR. ANY CEILING TILE OR GRID DAMAGED DURING CONSTRUCTION SHALL BE REPLACED WITH NEW BY THIS CONTRACTOR.
- ALL CUTTING/PATCHING OF WALL, FLOOR, AND ROOF SHALL BE BY G.C.
- MAINTAIN 3'-0" CLEAR SPACE IN FRONT OF ALL ELECTRICAL, CONTROL, AND ACCESS PANELS FOR ACCESSIBILITY.
- ALL DAMPERS, ETC. SHALL BE INSTALLED IN ACCESSIBLE CEILINGS.
- ALL OPEN ENDS OF DUCTS SHALL BE CAPPED AT THE END OF CONSTRUCTION EACH DAY.
- COORDINATE ALL FIRE DAMPER ACCESS DOOR LOCATIONS TO MATCH ARCHITECTURAL PLAN ACCESS DOORS.



2 BASEMENT HVAC PLAN
SCALE: 1/8" = 1'-0"

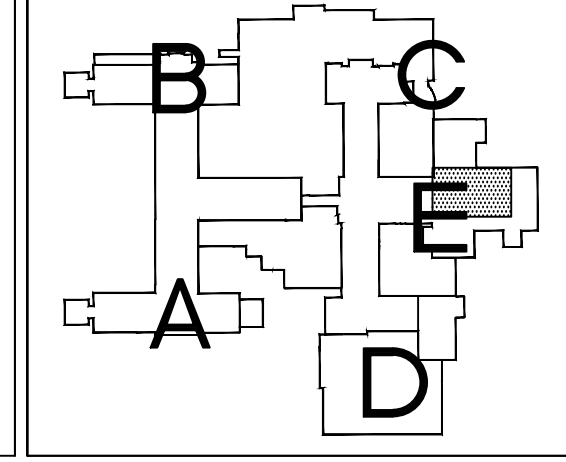
**Dept. of Veterans Affairs
Health Care System**
2101 Elm Street North
Fargo, ND 58102

JPK
ENGINEERING, LLC
112 N. Univ. Dr.
Suite 140
Fargo, ND 58102
(701) 866-8816

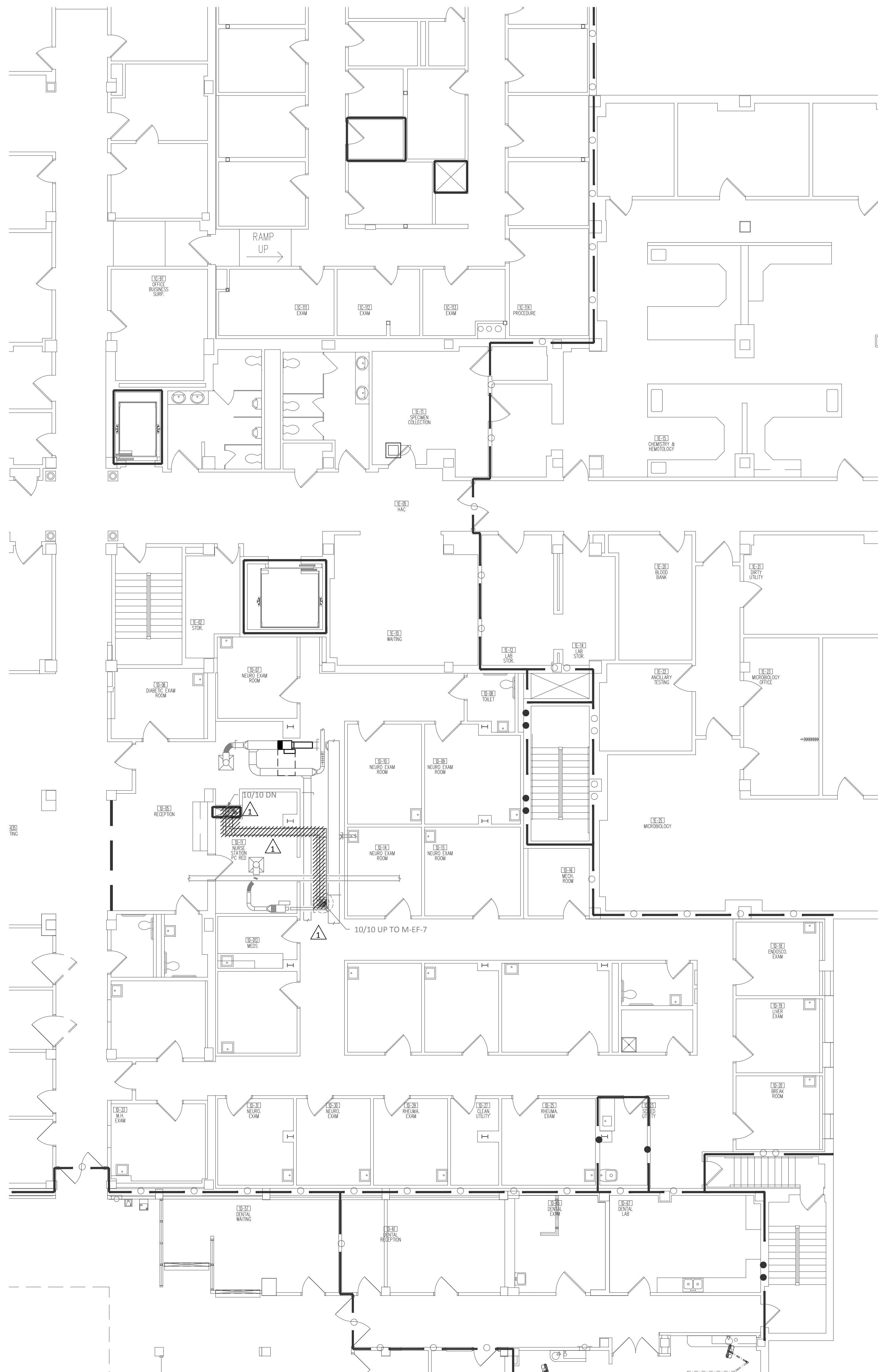
MBN
ENGINEERING
MECHANICAL • ELECTRICAL • CIVIL
803 7th St N, Suite 200
FARGO, ND 58102
PHONE: 701-478-0333
FAX: 701-478-6340

IMAGE
GROUP
IMAGE GROUP INC.
403 CENTER AVENUE, SUITE 300
MOORHEAD, MN 56560

I hereby certify that this plan specification, or report was prepared by me or under my direct supervision, and that I am duly Registered Engineer under the laws of the State of North Dakota.
Quaid P. McNeill
Date: 07-26-17 Reg. No. PE-5639



Drawing Title BASEMENT FLOOR - AREA 'E' HVAC PLAN		Project Title IMPROVE BLDG 1 MECHANICAL ROOM EXHAUST		Date JULY 26, 2017	Department of Veterans Affairs
VA Project No. 437-16-250	Contract No. 437-6R3262	Designed By JPK	Checked By RJS	Drawn By AEK	
Building No. 1	AutoCAD File Name 170001.HLDWG	Location FARGO VA HEALTH CARE SYSTEM FARGO, ND		Drawing No. H1	
				Dwg. 3 of 9	



1 FIRST FLOOR HVAC DEMOLITION PLAN
SCALE: 1/8" = 1'-0"

VENTILATION DEMOLITION NOTES:

A. DEMOLITION DRAWINGS ARE DIAGRAMMATIC ONLY AND ARE BASED ON CASUAL FIELD OBSERVATION AND EXISTING RECORD DRAWINGS. CONTRACTOR SHALL VERIFY ALL EXISTING CONDITIONS PRIOR TO BEGINNING WORK AND NOTIFY THE ARCHITECT/ENGINEER OF ANY DISCREPANCIES BETWEEN THE "AS-BUILT" CONDITIONS AND THESE DRAWINGS.

B. THIS CONTRACTOR IS RESPONSIBLE FOR REMOVAL AND RE-INSTALLING OF EXISTING CEILING TILE NOT REMOVED BY THE GENERAL CONTRACTOR FOR THE DEMOLITION OF EXISTING VENTILATION DUCTWORK, EQUIPMENT, ETC. VERIFY WITH ARCHITECTURAL PLANS FOR CEILING WORK BY THE GENERAL CONTRACTOR. ANY CEILING TILE OR GRID DAMAGED DURING CONSTRUCTION SHALL BE REPLACED NEW BY THIS CONTRACTOR.

C. ALL CUTTING/PATCHING OF WALL, FLOOR, AND ROOF SHALL BE BY G.C.

DEMO NOTES:

△ DEMO EXHAUST AIR DUCT, HANGERS, GRILLES, FIRE DAMPER AND ALL ASSOCIATED ITEMS.

VENTILATION NOTES:

A. CONTRACTOR SHALL VERIFY ALL EXISTING CONDITIONS PRIOR TO BEGINNING WORK AND NOTIFY THE ARCHITECT/ENGINEER OF ANY DISCREPANCIES BETWEEN THE "AS-BUILT" CONDITIONS AND THESE DRAWINGS.

B. COORDINATE ALL DUCTWORK INSTALLATION WITH GENERAL, PLUMBING, FIRE PROTECTION, AND ELECTRICAL CONTRACTORS. INSTALL ALL DUCTWORK AS HIGH AS POSSIBLE. PROVIDE ALL NECESSARY OFFSETS (DROPS AND RISES) TO KEEP DUCTWORK TIGHT TO THE STRUCTURE ABOVE. OFFSET DUCTWORK TO AVOID BEAMS.

C. REFER TO AND COORDINATE WITH THE ARCHITECTURAL PLANS FOR CEILING TYPES, HEIGHTS, SOFFIT AREAS, AND ELEVATIONS FOR INSTALLATION OF NEW DUCTWORK, EQUIPMENT, ETC.

D. THIS CONTRACTOR IS RESPONSIBLE FOR REMOVAL AND RE-INSTALLING OF EXISTING CEILING TILE NOT REMOVED BY THE GENERAL CONTRACTOR FOR THE INSTALLATION OF NEW DUCTWORK, EQUIPMENT, ETC. VERIFY WITH ARCHITECTURAL PLANS FOR CEILING WORK BY THE GENERAL CONTRACTOR. ANY CEILING TILE OR GRID DAMAGED DURING CONSTRUCTION SHALL BE REPLACED WITH NEW BY THIS CONTRACTOR.

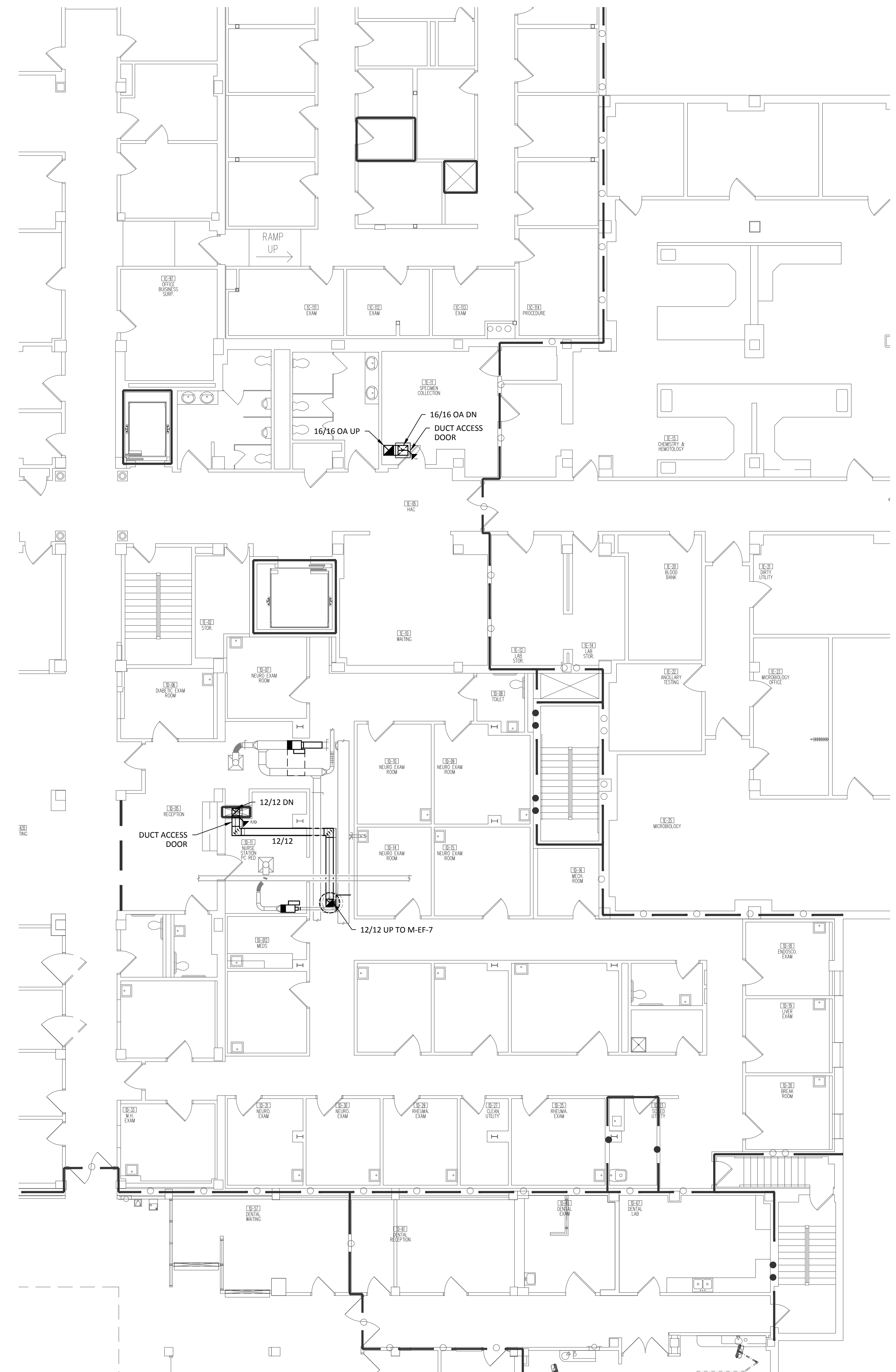
E. ALL CUTTING/PATCHING OF WALL, FLOOR, AND ROOF SHALL BE BY G.C.

F. MAINTAIN 3'-0" CLEAR SPACE IN FRONT OF ALL ELECTRICAL, CONTROL, AND ACCESS PANELS FOR ACCESSIBILITY.

G. ALL DAMPERS, ETC. SHALL BE INSTALLED IN ACCESSIBLE CEILINGS.

H. ALL OPEN ENDS OF DUCTS SHALL BE CAPPED AT THE END OF CONSTRUCTION EACH DAY.

I. COORDINATE ALL FIRE DAMPER ACCESS DOOR LOCATIONS TO MATCH ARCHITECTURAL PLAN ACCESS DOORS.



2 FIRST FLOOR HVAC PLAN
SCALE: 1/8" = 1'-0"

Revisions	Date

Dept. of Veterans Affairs
Health Care System
2101 Elm Street North
Fargo, ND 58102

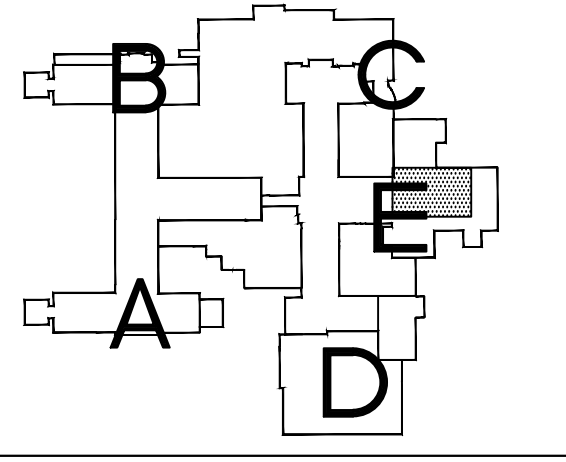
JPK
ENGINEERING, LLC
112 N. Univ. Dr.
Suite 140
Fargo, ND 58102
(701) 866-8816

MBN
ENGINEERING
MECHANICAL • ELECTRICAL • CIVIL
803 7th St. N., Suite 200
FARGO, ND 58102
PHONE: 701-684-0233
FAX: 701-684-0240

IMAGE
GROUP
IMAGE GROUP INC.
403 CENTER AVENUE, SUITE 300
MOORHEAD, MN 56560

I hereby certify that this plan specification, or report was prepared by me or under my direct supervision, and that I am duly Registered Engineer under the laws of the State of North Dakota.

Spencer P. Williams
Date: 07-26-17 Reg. No. PE-5639



Drawing Title FIRST FLOOR - AREA 'E' HVAC PLAN		Project Title IMPROVE BLDG 1 MECHANICAL ROOM EXHAUST		Date JULY 26, 2017	Department of Veterans Affairs
VA Project No. 437-16-250	Contract No. 437-6R3262	Designed By JPK	Checked By RJS	Scale AS SHOWN	
Building No. 1	AutoCAD File Name 170001 H2.DWG	Drawn By AEK	Drawing No. H2	Dwg. 4 of 9	
Location FARGO VA HEALTH CARE SYSTEM FARGO, ND					