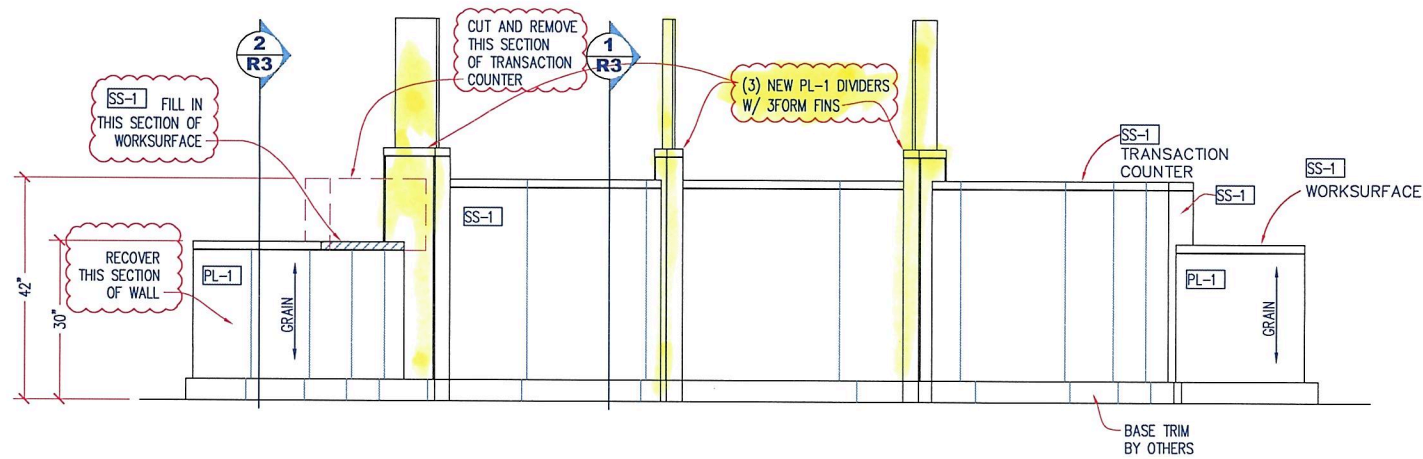


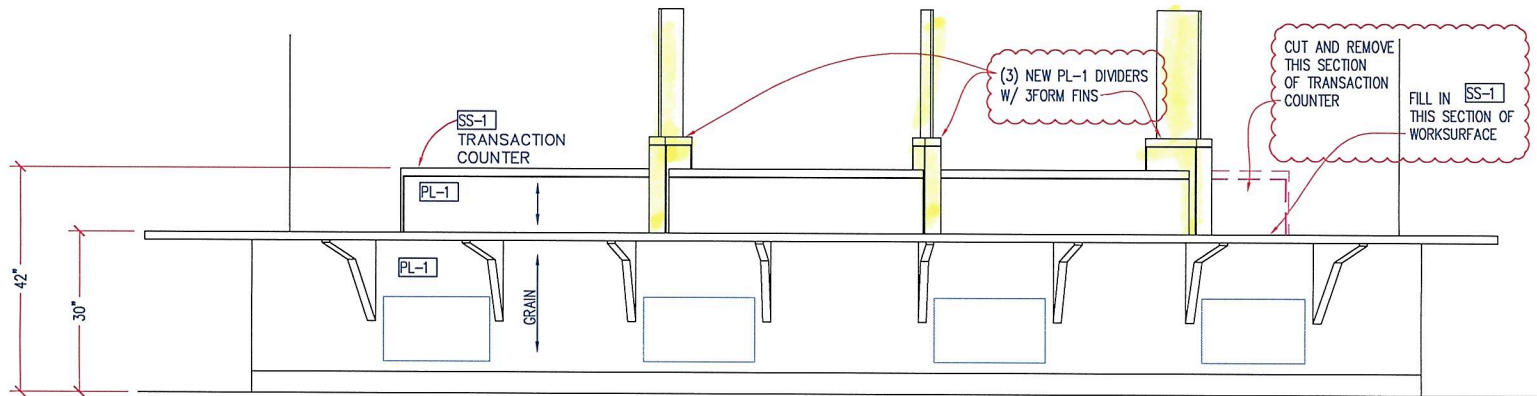
1 PLAN VIEW - CHECK-IN / GREETING 4F-103
R1 SCALE: 3/4"=1'-0"

FINISH SCHEDULE	EDGE/BAND
PL-1 PIONITE WM951 "HONEY MAPLE" SUEDE	CANPLAST 56634
PL-2 WILSONART 4943-38 "CLASSIC LINEN"	N/A
WD-1 TO BE DETERMINED	N/A
SS-1 CORIAN "WHIPPED CREAM" SATIN	N/A
SS-2 CORIAN "BONE" SATIN	N/A
TB-1 1/4" TACKSURFACE FORBO 2186 "BULLETIN BOARD"	
PF-1 3/4" 3FORM STYLE: VARIA ECORESIN, PATTERN: STRUCK, COLOR: KELP FRONT FINISH: "SANDSTONE", BACK FINISH: "WHITE OUT LAYER"	

		SALESMAN: JOHN WARMUTH		
		DRAWN BY: M P		
2500 NORTH CHARLES NORTH SAINT PAUL, MN 55109 PROJECT: VA SUPER CLINIC 4F ADDRESS: ONE VETERANS DR. 4F MINNEAPOLIS, MN. 55417		PHONE: (651) 777-5377 FAX: (651) 777-0798	REVISIONS: DATE NO. REV. BY	SHEET NO. R1
CONTRACTOR OR ARCHITECT: ERICKSON BUILDERS		CONTACT: PHONE:		JOB NO. 36840



1 ELEVATION - CHECK-IN / GREETING 4F-103
 SCALE: 3/4"=1'-0" ARCH. REFERENCE: 3/AS701



2 ELEVATION - CHECK-IN / GREETING 4F-103
 SCALE: 3/4"=1'-0" ARCH. REFERENCE: 4/AS701

FINISH SCHEDULE		EDGE BAND	
PL-1	PIONITE WM951 "HONEY MAPLE" SUEDE	CANPLAST	56634
PL-2	WILSONART 4943-38 "CLASSIC LINEN"		N/A
WD-1	TO BE DETERMINED		N/A
SS-1	CORIAN "WHIPPED CREAM" SATIN		N/A
SS-2	CORIAN "BONE" SATIN		N/A
TB-1	1/4" TACKSURFACE FORBO 2186 "BULLETIN BOARD"		
PF-1	3/4" 3FORM STYLE: VARIA Ecoresin, PATTERN: STRUCK, COLOR: KELP FRONT FINISH: "SANDSTONE", BACK FINISH: "WHITE OUT LAYER"		

ANDERSEN

Cabinet

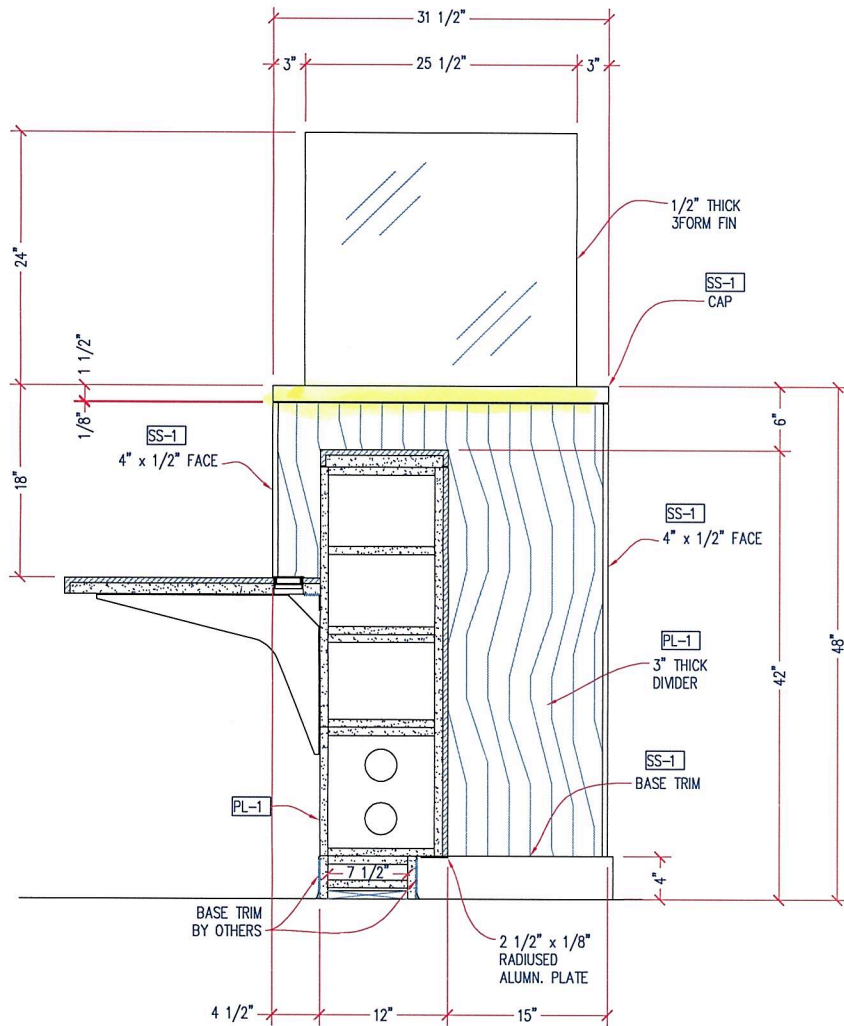
2500 NORTH CHARLES
NORTH SAINT PAUL, MN 55109
PHONE: (651) 777-5377
FAX: (651) 777-0796

SALESMAN: JOHN WARMUTH
DRAWN BY: MFP
DATE DRAWN: 9.13.17

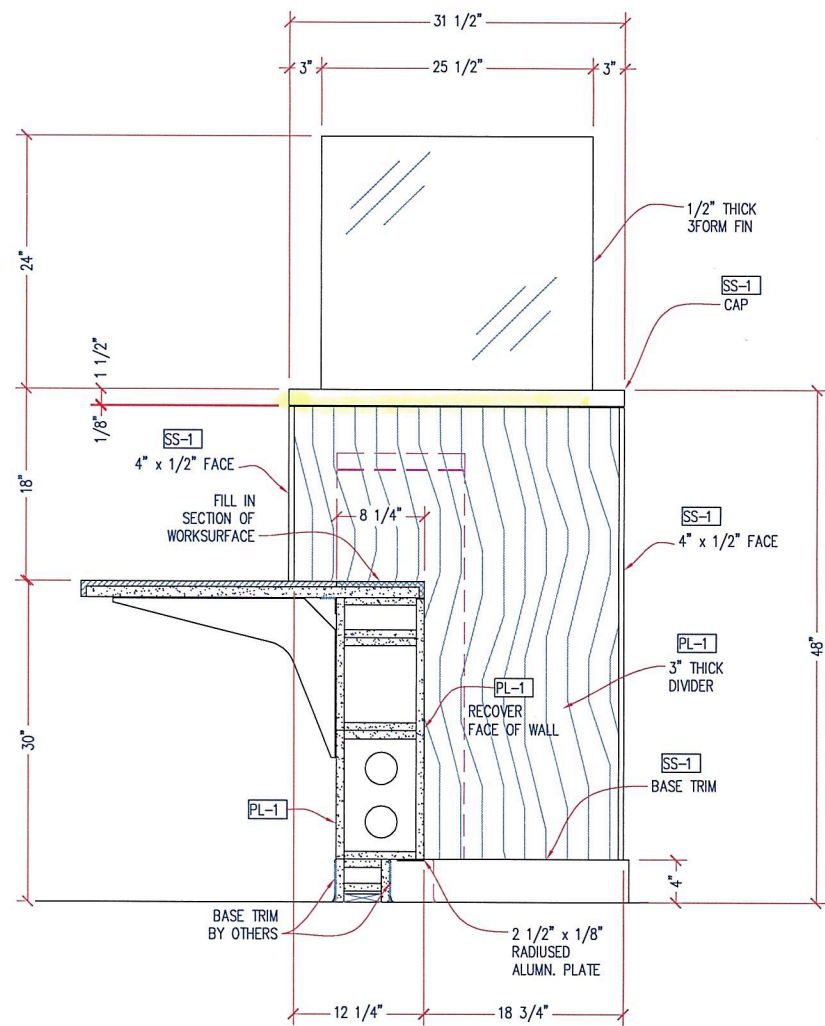
REVISIONS:	DATE	NO.	REV. BY	SHEET NO.
				R2

PROJECT: VA SUPER CLINIC 4F	ADDRESS: ONE VETERANS DR. 4F	MINNEAPOLIS, MN. 55417	CONTRACTOR	CONTACT:
			OR ARCHITECT: ERICKSON BUILDERS	PHONE:

36840



1 SECTION - CHECK-IN / GREETING 4F-103
 R3 SCALE: 1 1/2"=1'-0"



2 SECTION - CHECK-IN / GREETING 4F-103
 R3 SCALE: 1 1/2"=1'-0"

FINISH SCHEDULE	EDGE BAND
PL-1 PIONITE WM951 "HONEY MAPLE" SUEDE	CANPLAST 56634
PL-2 WILSONART 4943-38 "CLASSIC LINEN"	N/A
WD-1 TO BE DETERMINED	N/A
SS-1 CORIAN "WHIPPED CREAM" SATIN	N/A
SS-2 CORIAN "BONE" SATIN	N/A
TB-1 1/4" TACKSURFACE FORBO 2186 "BULLETIN BOARD"	
PF-1 3/4" 3FORM STYLE: VARIA ECORESIN, PATTERN: STRUCK, COLOR: KELP FRONT FINISH: "SANDSTONE", BACK FINISH: "WHITE OUT LAYER"	

	SALESMAN: JOHN WARMUTH
	DRAWN BY: MSP
2500 NORTH CHARLES NORTH SAINT PAUL, MN 55109 PROJECT: VA SUPER CLINIC 4F ADDRESS: ONE VETERANS DR. 4F MINNEAPOLIS, MN. 55417	PHONE: (651) 777-5377 FAX: (651) 777-0798
REVISIONS: DATE NO. REV. BY	SHEET NO. R3
CONTRACTOR OR ARCHITECT: ERICKSON BUILDERS	CONTACT: PHONE:
	JOB NO. 36840

Millwork Parts List – for 4F Privacy Dividers P-Lam Divider Panels

½” 3Form Panels

Aluminum Plate

Wood Fillers

Loose P-Lam to be field applied

Solid Surface to be field applied

Contractor to supply all hardware/glue for attaching divider panels to existing countertop.

The contractor can reference existing installed panels in the 4E clinic for guidance.