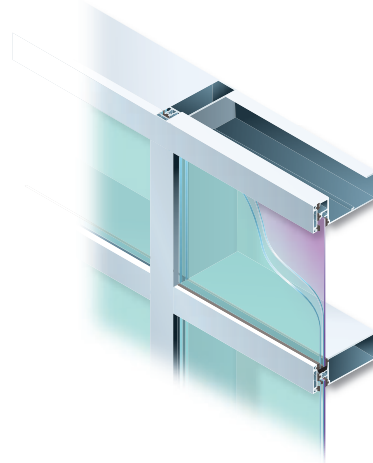


# Reliance BlastMax™ Curtain Wall— outside glazed, front set pressure wall curtain wall system

After extensive blast arena testing the Reliance BlastMax™ Blast Resistant Curtain Wall System has proven to be a high performance system that **meets the most exacting standards** of ASTM, GSA and UFC. In addition, this system offers ease of fabrication and installation with **exceptional water control and outstanding thermal performance**. The Reliance BlastMax™ Blast Resistant Curtain Wall System performs exceptionally well without the need for reinforcing steel or special anchoring.



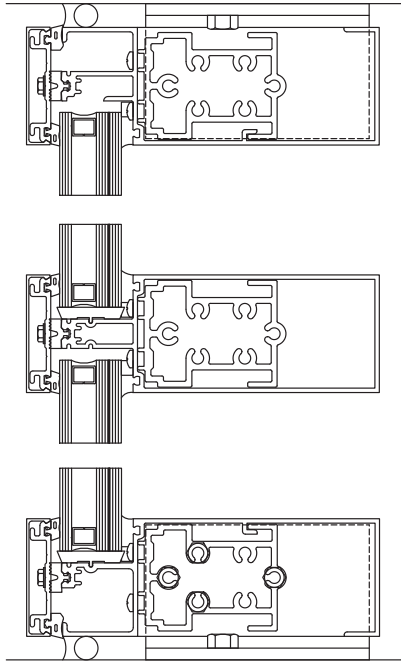
Harry P. Ward Tower, University of Arkansas Medical Center, Little Rock, AR  
Architect: Perkins + Will and Stuck Associates

## Features

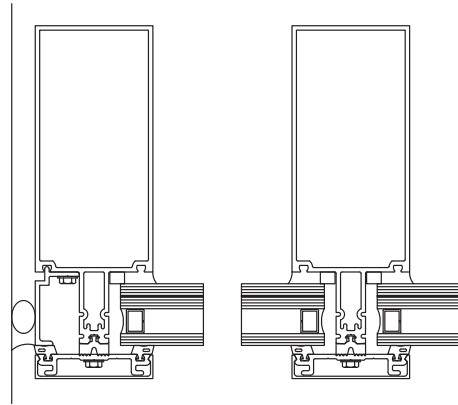
- System dimensions 2-1/2" x 7-1/2"
- 1-1/4" laminated insulating glass
- Exterior glazed
- Thermally broken
- Wet glazed
- No exposed fasteners
- Integration of MSD-375 entrances with sub-frame
- Factory-painted Kynar 500®/Hylar 5000® finishes, meeting all provisions of AAMA 2605
- Factory-anodized finishing
- ASTM F1642 compliant
- UFC (DoD) 4-010-01 compliant
- GSA/ISC compliant



**Details**



**Horizontal Details**



**Vertical Details**

**Performance**

- Air Infiltration: <.06 CFM/SQ FT (6.24 PSF) per ASTM E283
- Static Water: 15 PSF per ASTM E331
- Dynamic Water: 15 PSF per AAMA 501.1
- Deflection Load: 40 PSF per ASTM E330
- Structural Load: 60 PSF per ASTM E330
- ASTM F 1642: Minimal hazard
- UFC 4-010-01: level of protection - low
- GSA Performance Condition: 3b

Kynar 500® is a registered trademark of Atofina  
 Hylar 5000® is a registered trademark of Ausimont USA, Inc.