

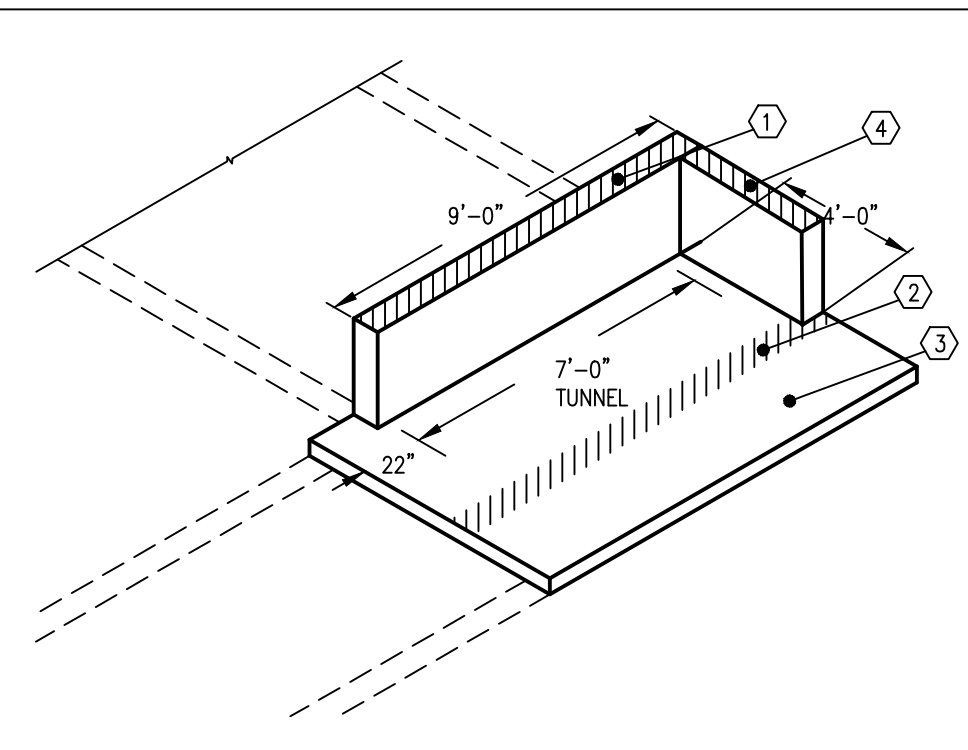
STAIR FRAMING PLAN 3/8" = 1'-0"

- PLAN NOTES**
- (E) INDICATES EXISTING STRUCTURE
 - * INDICATES DIMENSIONS TO BE VERIFIED BY CONTRACTOR
 - REPAIR EXISTING CEILING CRACK WITH EPOXY INJECTION OR SIMILAR.
 - SHORE EXISTING FLOOR ABOVE AS REQUIRED TO INSTALL NEW BEAMS AND DEMO EXISTING STRUCTURE.
 - ← INDICATES DIRECTION OF PRECAST SLAB
 - (n) INDICATES NEW STRUCTURE
 - (A) INDICATES DIMENSIONS ARE ONLY ASSUMED, BUT NOT KNOWN. CONTRACTOR TO FIELD VERIFY IF NECESSARY FOR THE AREA OF WORK BEING PERFORMED
 - ALL PRECAST SHALL BE DESIGNED BY A MINNESOTA REGISTERED ENGINEER. CALCULATIONS BEARING THE ENGINEER'S STAMP AND SIGNATURE SHALL ACCOMPANY THE SHOP DRAWINGS.
 - CONTRACTOR SHALL FIELD VERIFY EXISTING DIMENSIONS AND ELEVATIONS AND NOTIFY ENGINEER OF ANY DISCREPANCIES PRIOR TO FABRICATION.

- CRACK PREPARATION:**
- CLEAN THE CRACK AND SURFACE SURROUNDING IT TO ALLOW EPOXY TO BOND TO SOUND CONCRETE.
 - BRUSH THE SURFACE WITH A WIRE BRUSH AT A MIN.
 - OIL, GREASE OR OTHER CONTAMINATES SHALL BE REMOVED PRIOR TO APPLICATION.
 - TAKE CARE NOT TO IMPACT ANY DEBRIS INTO THE CRACK DURING CLEANING.
 - BLOW OUT THE CRACK WITH CLEAN COMPRESSED AIR TO REMOVE ANY DUST, DEBRIS OR STANDING WATER.
 - IF PAINT COATING OR SEALANT HAS BEEN APPLIED TO SURFACE, IT MUST BE REMOVED PRIOR TO EPOXY BEING APPLIED.
 - APPLY EPOXY INJECTION PER MANUFACTURER.

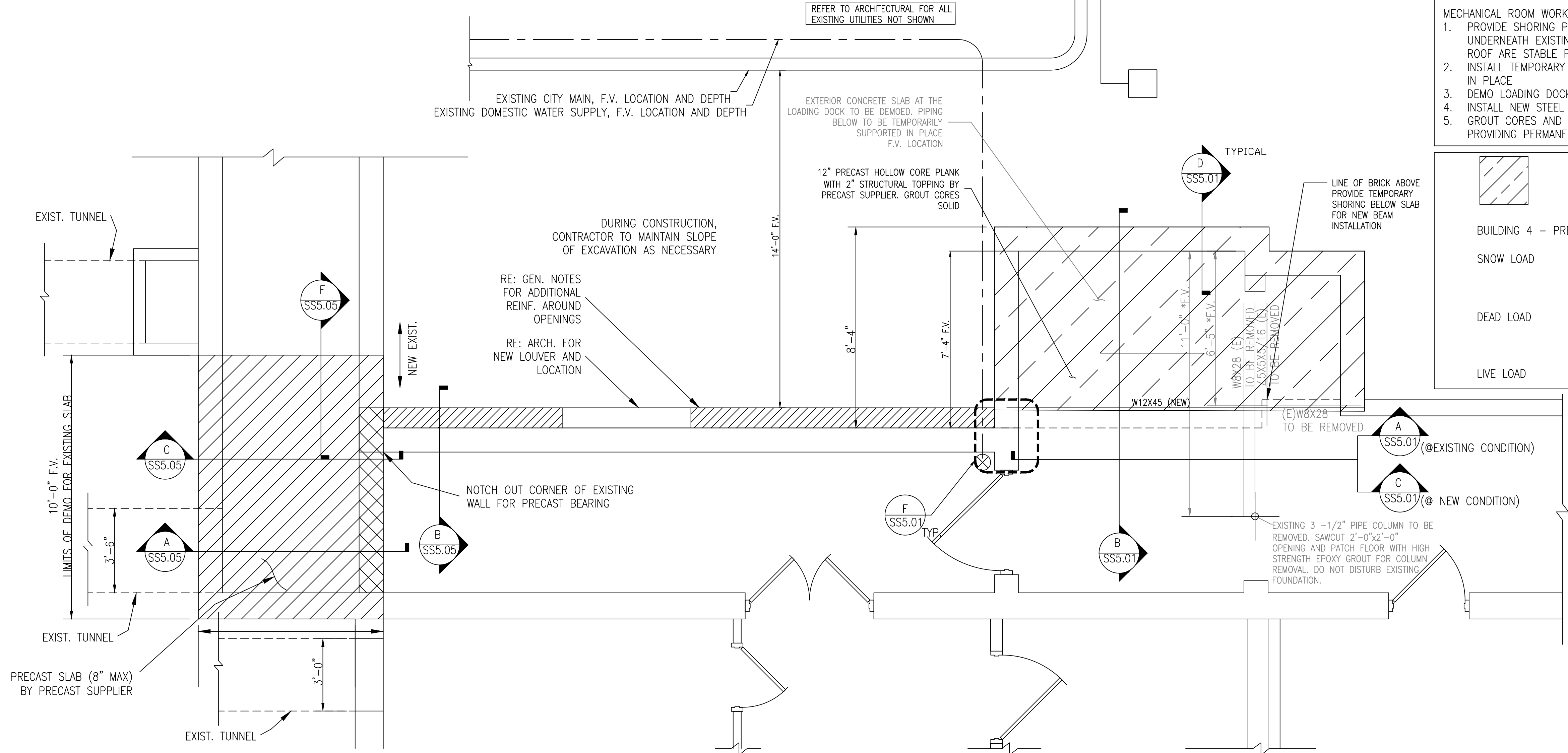
PRECAST LID LOADS

DL1	275	PLF
DL2	480	PLF
LL1	200	PLF (CORRIDOR)
SL2	230	PLF (SNOW)
LL2	200	PLF (ROOF AND FLOOR ABOVE)
STAIR CONCRETE WALL		
DL1	500	PLF
LL1	200	PLF
STAIR CONCRETE WALL		
DL1	75	PSF (SIDEWALK)
LL2	250	PSF (POTENTIAL DRIVEWAY)
SEE SNOW LOADS DRIFT MAP FOR SNOW LOAD AT SLAB		
DL1	400	PLF
LL	400	PLF

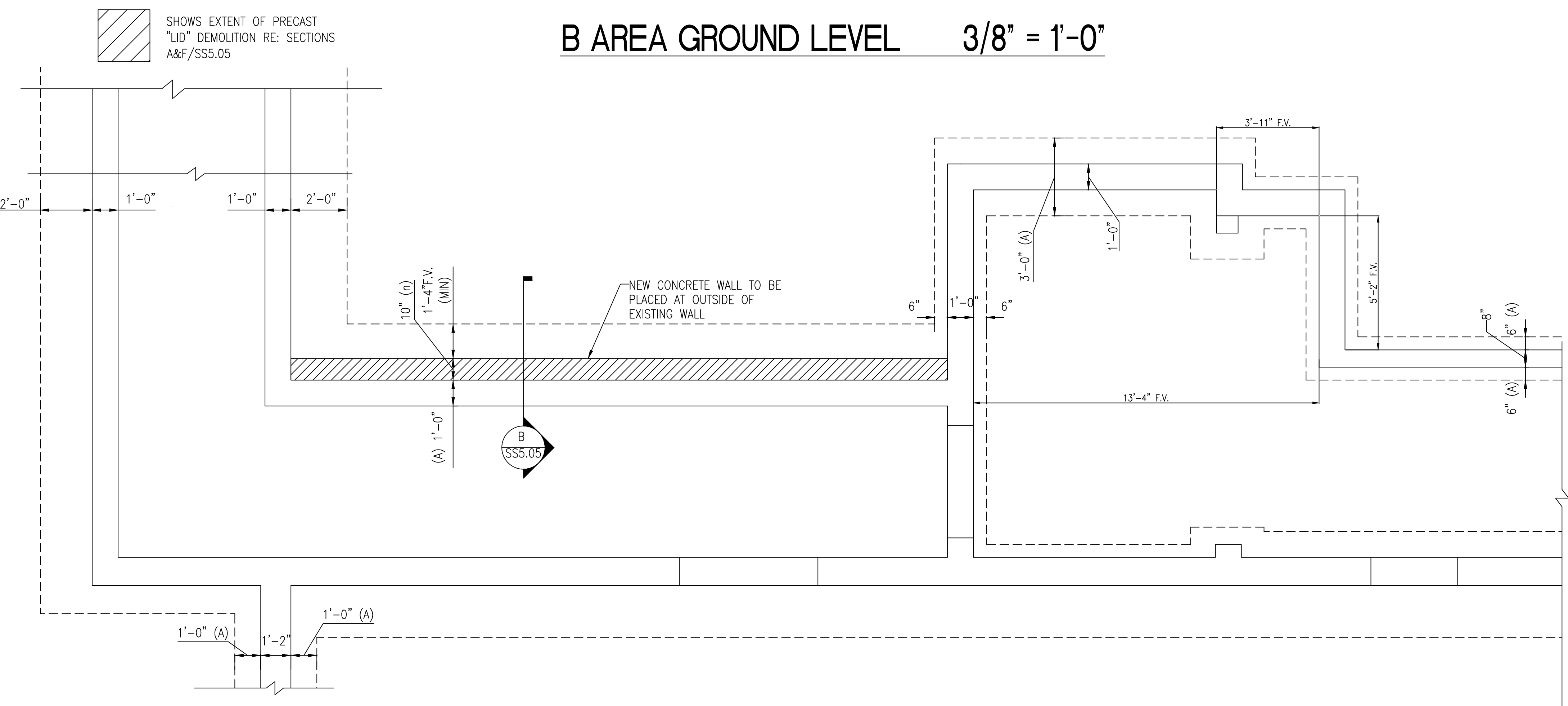


NOTE: LIMIT DEFLECTIONS TO < L/600 DUE TO BRICK LOADING

- LOAD NOTES**
- LOADS ARE SERVICE LOADS
 - LOADS DO NOT INCLUDE SELF WEIGHT, SUPERIMPOSED LOADS ONLY
 - SL INDICATES SNOW LOAD
 - FOR nP2 MAINTAIN DEFLECTION OF < L/600 AS THERE IS BRICK ABOVE INCLUDED IN THE DL
 - DL1 ROOF OR FLOOR DEAD LOADS
DL2 BRICK LINE LOADS
LL1 CORRIDOR LOADING ABOVE
LL2 LIVE LOAD
SL SNOW LOAD FRM ROOF ABOVE OR FROM LOADING DOCK
SLAB SEE SKETCH SHOWING LOADS
MISC MISCELLANEOUS HANGING LOAD



B AREA GROUND LEVEL 3/8" = 1'-0"



B AREA FOUNDATION 3/8" = 1'-0"

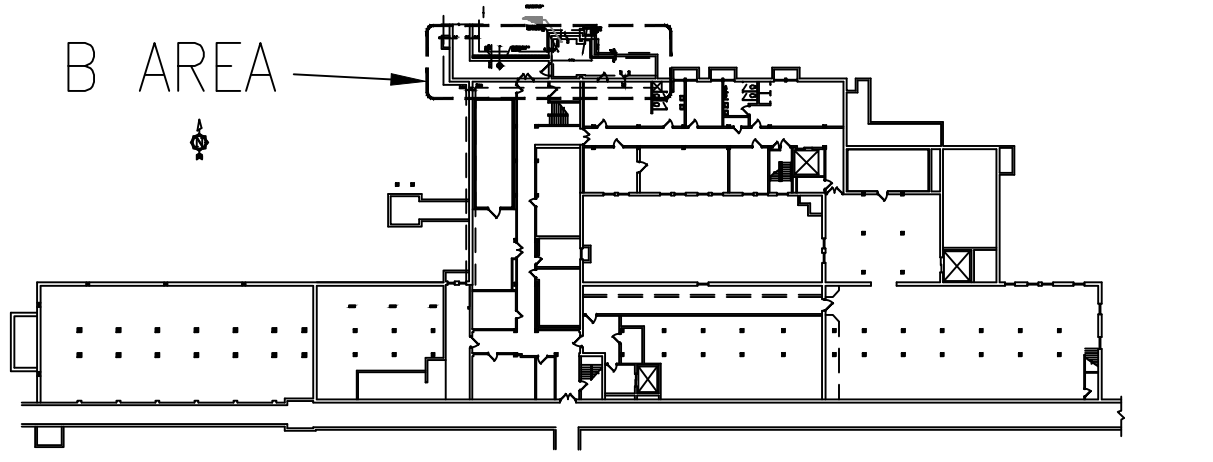
NOTE: CONTRACTOR TO FIELD VERIFY ALL DIMENSIONS FOR EXISTING FOUNDATIONS SHOWN PRIOR TO COMMENCING WORK. IF DIMENSIONS ARE DIFFERENT THAN WHAT ARE SHOWN, CONTACT THE STRUCTURAL ENGINEER OF RECORD IMMEDIATELY

- MECHANICAL ROOM WORK SEQUENCE:**
- PROVIDE SHORING PLATFORM FOR DEMO ROOF AREA. SHORE UNDERNEATH EXISTING FACADE ABOVE TO ENSURE WALL AND ROOF ARE STABLE PRIOR TO ANY DEMOLITION.
 - INSTALL TEMPORARY SHORING FOR EXISTING PIPING TO REMAIN IN PLACE
 - DEMO LOADING DOCK SLAB AND EXISTING BEAMS
 - INSTALL NEW STEEL BEAM AND PRECAST PLANK
 - GROUT CORES AND COMPLETE FINAL DETAILS INCLUDING PROVIDING PERMANENT SUPPORT FOR EXISTING PIPING

SHOWS EXTENT OF 12" PRECAST HOLLOW CORE "LID" RE: SECTIONS B&C/SS5.01

BUILDING 4 - PRECAST LOADS - LOADING DOCK

SNOW LOAD	130 PSF (GROUND SNOW + SNOW DRIFT) 140 PLF (ROOF SNOW LOAD FROM THE JOGGED WALL)
DEAD LOAD	30 PSF (MEP DUCTS) 1240 PLF (FACADE WALL AND ROOF LOAD) 60 PSF (GROUTED CORE LOAD)
LIVE LOAD	150PSF



BUILDING 4 KEY PLAN NTS

No	REVISION	DATE



3433 BROADWAY STREET NE,
SUITE 220, MINNEAPOLIS, MN
55413



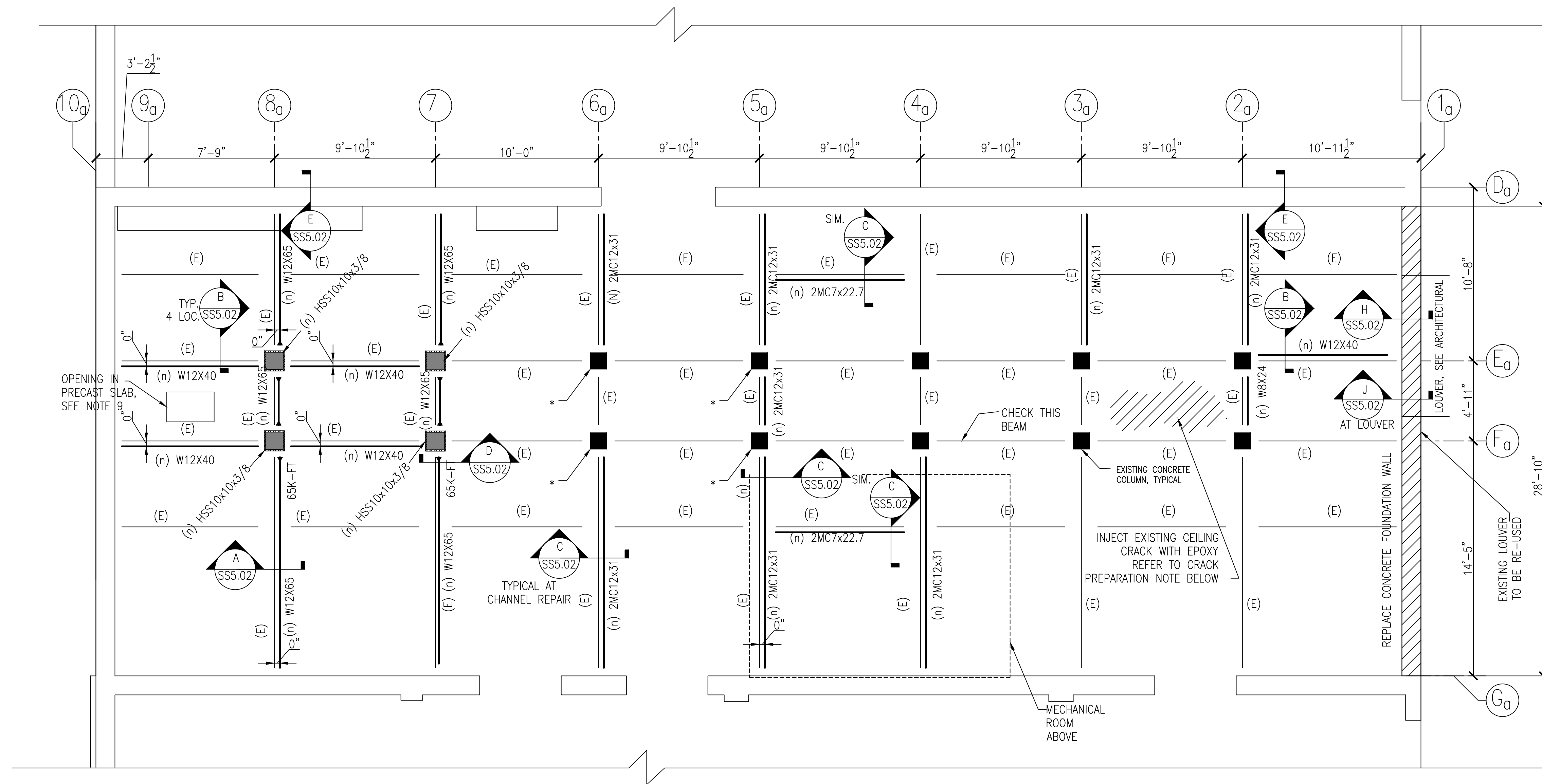
701 Washington Ave North, Suite 200 | Minneapolis, MN 55401 | 612.338.2029

Professional Engineer
I hereby certify that this plan, specification, or report was prepared by me or under my direct supervision and that I am a duly Licensed Professional Engineer under the laws of the state of Minnesota.
Signature: _____
Typed or Printed Name: BRADY L. KRATZ
Date: 12/24/2023 License Number: 5073

APPROVED: SERVICE LINE DIRECTOR	DATE: _____	APPROVED: INFECTION CONTROL NURSE	DATE: _____
APPROVED: GEMS COORDINATOR	DATE: _____	APPROVED: PATIENT SAFETY	DATE: _____
APPROVED: PROJECTS SECTION MANAGER	DATE: _____	APPROVED: CHIEF OF POLICE	DATE: _____
APPROVED: DIRECTOR FIVE	DATE: _____	APPROVED: SAFETY MANAGER	DATE: _____

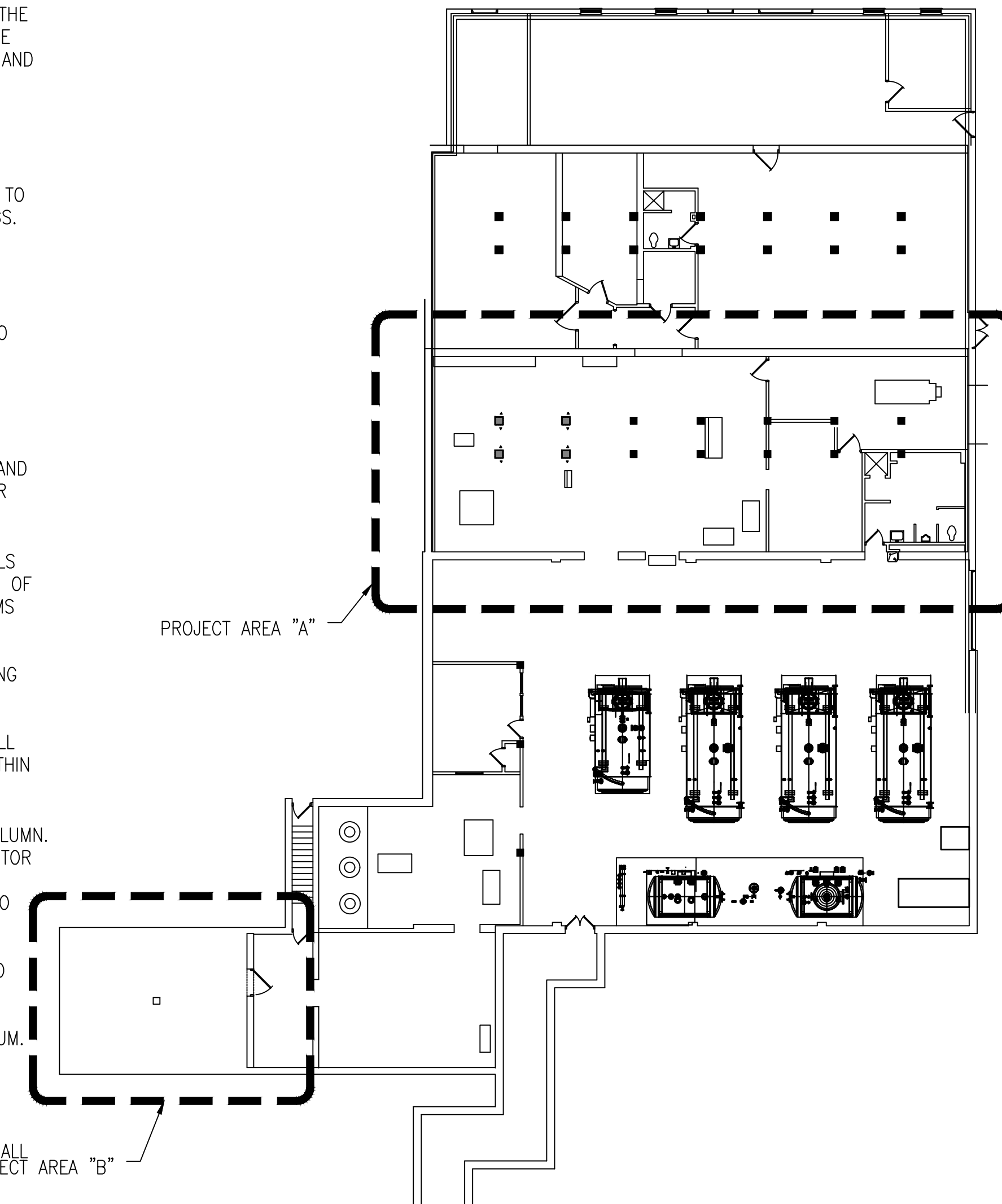
BUILDING 4		DATE: 10/24/2023
PROJECT TITLE: 656-14-247 REPAIR FOUNDATIONS BUILDINGS 4, 7, 9 St. Cloud VA Health Care System Main Campus, St. Cloud, Minnesota		PROJECT NO: 230297
BUILDING No: 4	CHECKED BY: SLK	DATE: 2023-09-21
LOCATION: VA MEDICAL CENTER ST. CLOUD, MN 56303	DRAWN BY: JMT	DATE: 10/10/18



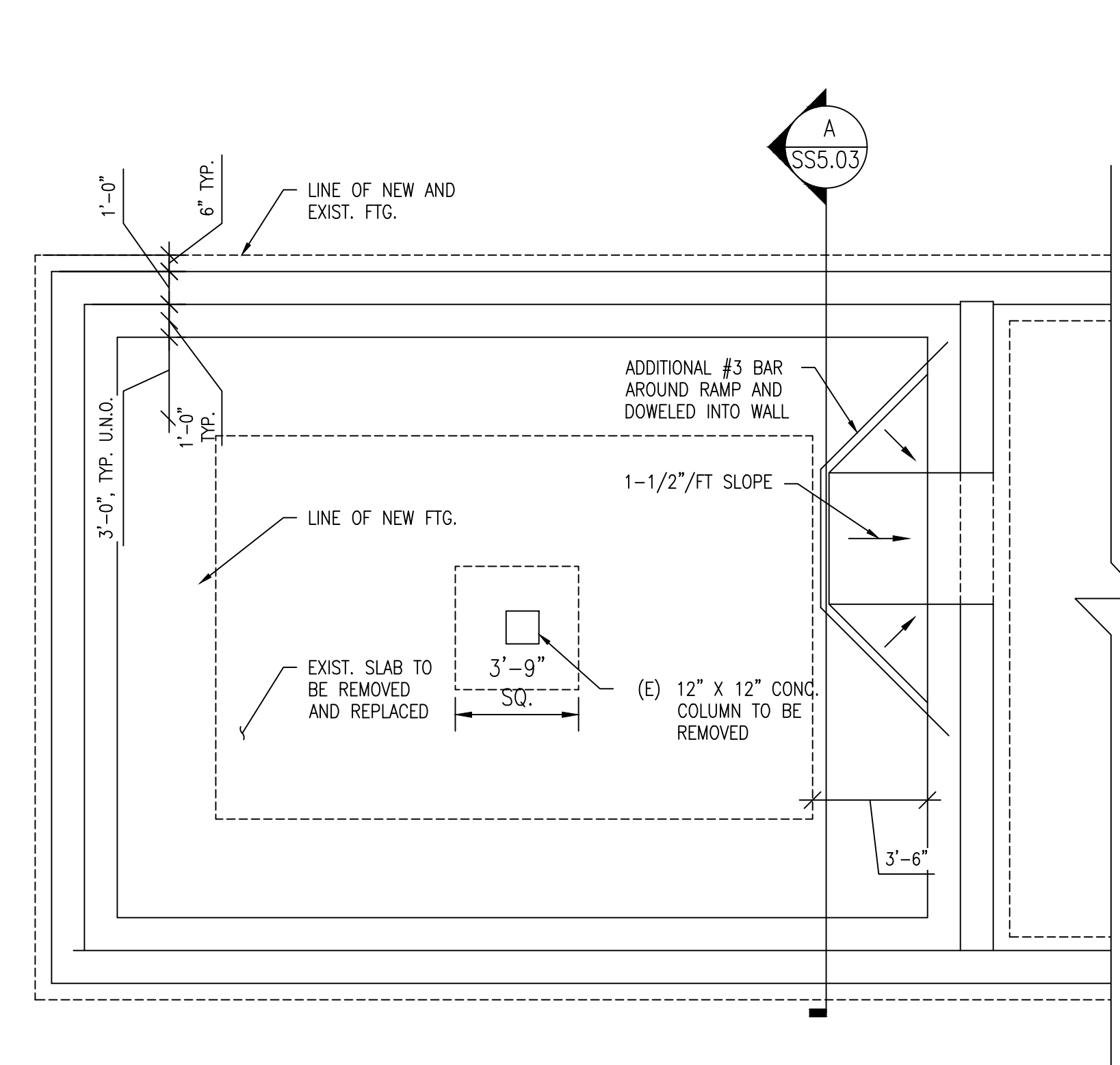


PROJECT AREA "A" FRAMING PLAN 1/4" = 1'-0"

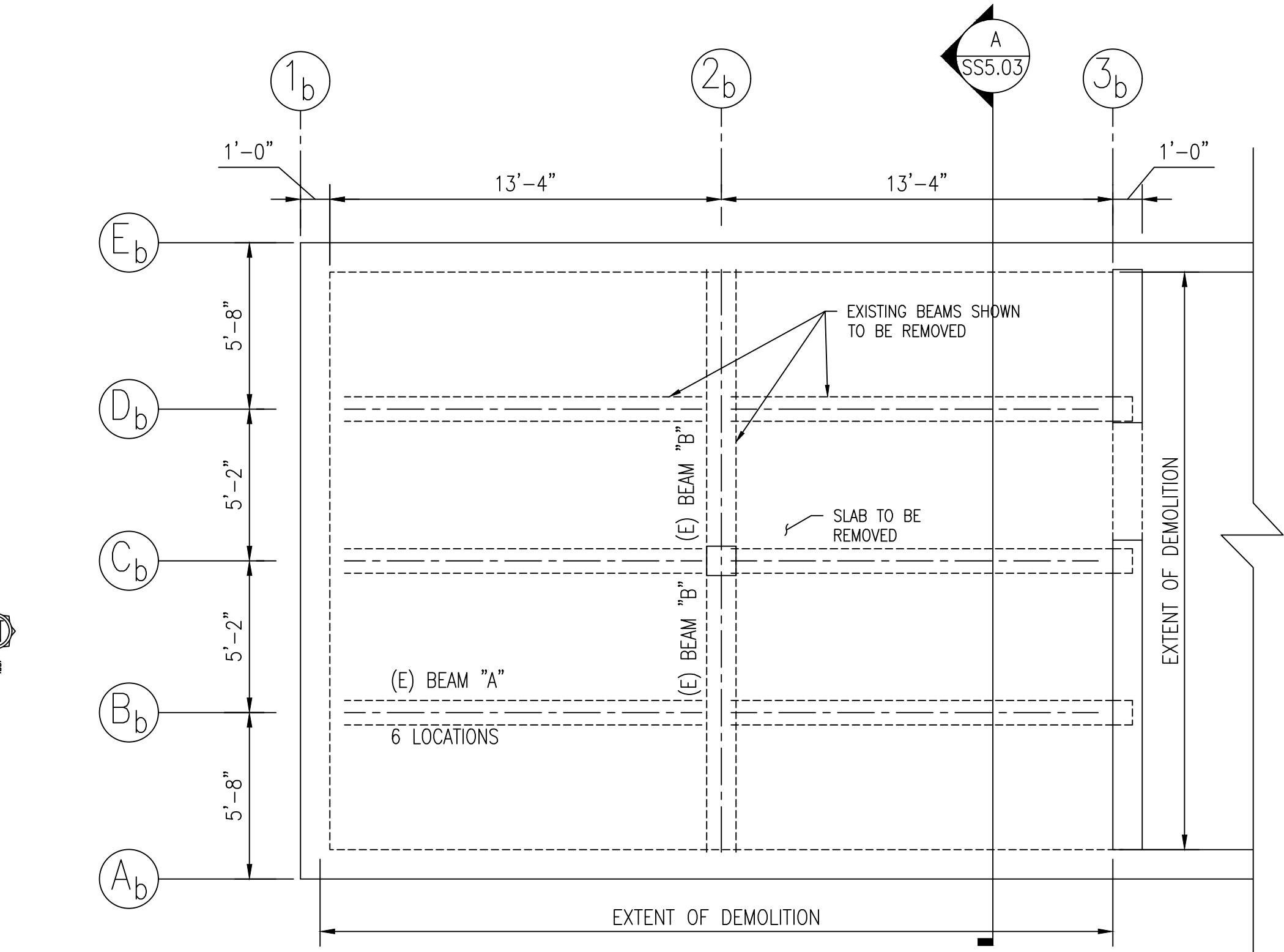
- AREA "A" NOTES:
- SAWCUT BEAMS DENOTED WITH "(n)" W12". INSTALL A NEW W12 BEAM AT THE UNDERSIDE OF THE EXISTING CONCRETE BEAM, TO PROVIDE A SOLID CONTACT SURFACE BETWEEN THE NEW WF BEAM AND THE EXISTING SAWCUT BEAMS. PROVIDE HIGH STRENGTH GROUT BETWEEN THE TOP OF THE BEAM AND BOTTOM OF SAWCUT.
 - NOTE TO CONTRACTOR AT COLUMNS DENOTED *:
FILL CRACKS IN CONCRETE COLUMNS WITH CRACK REPAIR
 - ALL EXISTING BEAMS TO BE WRAPPED IN GYPSUM BOARD TO MAINTAIN FIRE RATING. REFER TO ARCHITECTURAL DRAWINGS.
 - (E) DENOTES EXISTING BEAMS
 - CONTRACTOR SHALL ENGAGE GEOTECHNICAL ENGINEER TO CONFIRM SOIL BEARING CAPACITY OF 4,500 PSF PRIOR TO STARTING REPAIRS. PROVIDE RESULTS TO EOR PRIOR TO CONSTRUCTION.
 - NOTE TO CONTRACTOR: BEAMS AND COLUMNS FROM GRIDLINES 6A THROUGH 1A PARTIALLY OBTURED DUE TO ELECTRICAL EQUIPMENT AND PARTITION WALLS. IF BEAMS AND COLUMNS ARE IN ACCESSIBLE FOR REPAIRS, CONTACT EOR AND OWNER.
 - AT BEAMS DENOTED WITH (n) 2MC PROVIDE TWO CHANNELS ON EITHER SIDE OF CONCRETE BEAM FOR ENTIRE LENGTH OF BEAM. START AND STOP CHANNELS AT INTERSECTING BEAMS WHERE NECESSARY.
 - AT NEW HSS COLUMNS, CONTRACTOR TO REMOVE EXISTING CONCRETE COLUMNS.
 - AT LOCATION OF OPENING IN CEILING, CONTRACTOR TO FILL VOID FROM ABOVE. REMOVE CORRODED WIRE MESHING WITHIN OPENING.
 - "BPXX" INDICATES BASEPLATE AT BASE OF NEW STEEL COLUMN. SEE SHEET SSS.03 FOR BASE PLATE SCHEDULE. CONTRACTOR TO CAREFULLY DEMOLISH INDICATED EXISTING CONCRETE COLUMNS WHERE NEW HSS COLUMNS TO BE INSTALLED TO AVOID DISTURBING EXISTING FOOTINGS.
 - CONTRACTOR TO SHORE STRUCTURE AND BEAMS PRIOR TO REPAIR WORK.
 - U.N.O. DESIGN MOMENT CONNECTIONS FOR 30K-FT MINIMUM.
 - TYPICAL BASE PLATE AT NEW STEEL COLUMNS IS BP02. SEE SCHEDULE.
 - CONTRACTOR TO PROTECT EXISTING EQUIPMENT THROUGH ALL PHASES OF CONSTRUCTION.



BUILDING 7 1/16" = 1'-0"

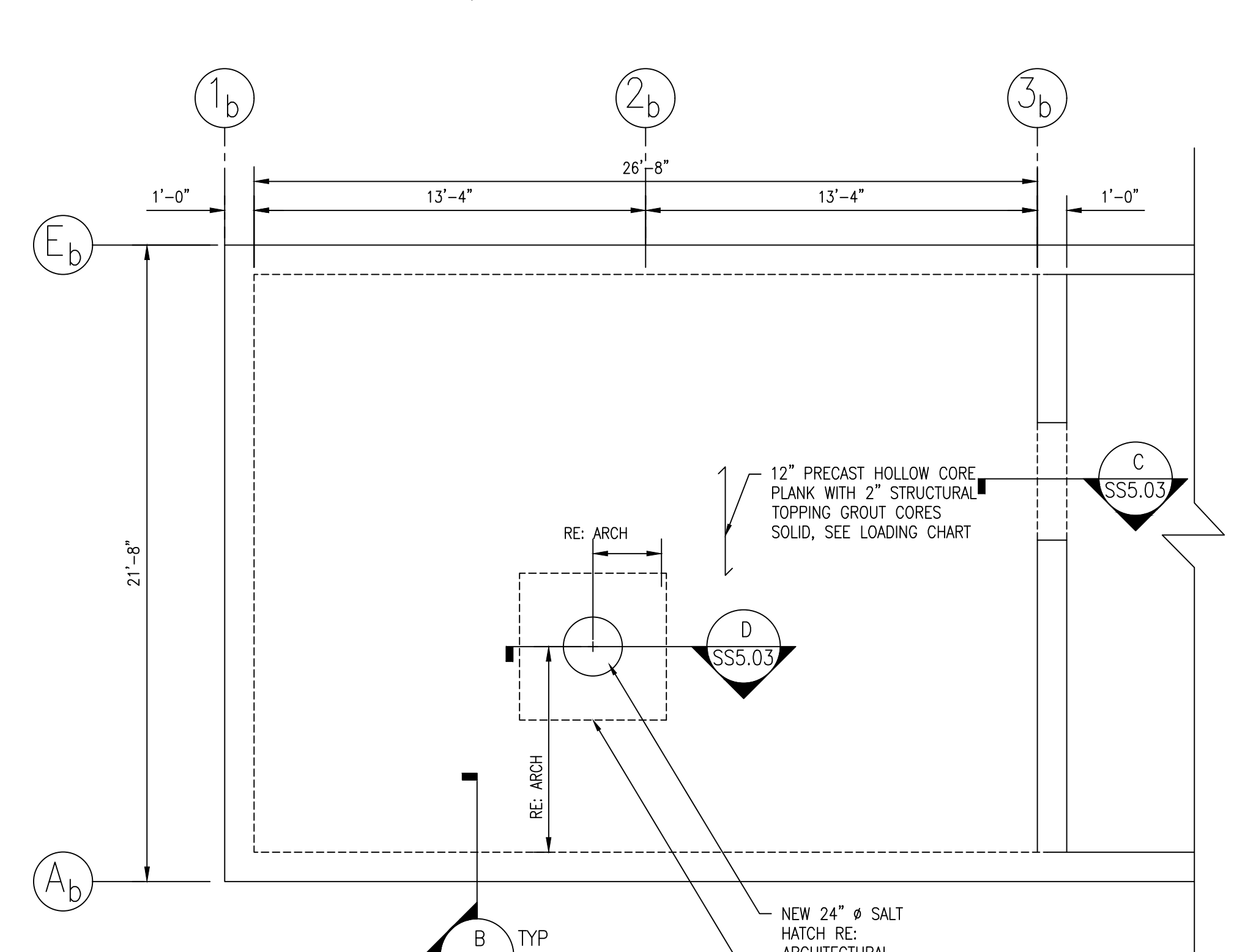


PROJECT AREA "B" FOUNDATION PLAN 1/4" = 1'-0"



PROJECT AREA "B" DEMO FRAMING PLAN 1/4" = 1'-0"

- NOTES:
- TAKE EXTRA PRECAUTIONS DURING ROOF DEMOLITION NOT TO DAMAGE EXISTING WALLS AND ADJACENT STRUCTURE
 - CONTRACTOR TO PROVIDE TEMPORARY BRACING FOR TOP OF WALL PRIOR TO DEMOLITION



PROJECT AREA "B" NEW FRAMING PLAN 1/4" = 1'-0"

- AREA "B" NOTES:
- REMOVE THE EXISTING BEAMS AND CONCRETE SLAB.
 - EXISTING WALLS ARE TO REMAIN, HOWEVER, CLEAN THE CONCRETE WALL AND APPLY A 'SPECIALTY' COATING TO THE EXISTING WALLS TO PROTECT AGAINST FURTHER CORROSION. RE: SPECIFICATIONS.
 - APPLY A CHEMICAL RESISTANT EPOXY COATING TO WALL AND CEILING TO ENSURE AGAINST FUTURE CORROSION FROM SALT.
 - ← DENOTES SPAN DIRECTION OF NEW 12" HOLLOW CORE PLANK W/ 2" STRUCTURAL TOPPING. SEE LOADING CHART
 - PRECAST LAYOUT AND DESIGN BY PRECAST SUPPLIER.
 - ALL PRECAST BE DESIGN BY A MINNESOTA REGISTERED ENGINEER. CALCULATIONS BEARING THE ENGINEER'S STAMP AND SIGNATURE SHALL ACCOMPANY THE SHOP DRAWINGS.
 - GROUT PLANK CORES SOLID. SEE ARCH FOR WATERPROOFING REQUIREMENTS ABOVE PRECAST PLANK.

- CRACK PREPARATION:
- CLEAN THE CRACK AND SURFACE SURROUNDING IT TO ALLOW EPOXY TO BOND TO SOUND CONCRETE.
 - BRUSH THE SURFACE WITH A WIRE BRUSH AT A MIN.
 - OIL, GREASE OR OTHER CONTAMINATES SHALL BE REMOVED PRIOR TO APPLICATION.
 - TAKE CARE NOT TO IMPACT ANY DEBRIS INTO THE CRACK DURING CLEANING.
 - BLOW OUT THE CRACK WITH CLEAN COMPRESSED AIR TO REMOVE ANY DUST, DEBRIS OR STANDING WATER.
 - IF PAINT COATING OR SEALANT HAS BEEN APPLIED TO SURFACE, IT MUST BE REMOVED PRIOR TO EPOXY BEING APPLIED.
 - APPLY EPOXY INJECTION PER MANUFACTURER'S WRITTEN INSTRUCTIONS.

BUILDING 7 - PRECAST LOADS - AREA "B"

SNOW LOAD	50 PSF
DEAD LOAD	60 PSF (5" ASPHALT) 60 PSF (GROUTED CORE LOAD) 95 PSF (8" OF AGGREGATE)
TRUCK LOADING	ASSUME ASSHTO HS20 LOADING
SOIL LOAD	115 PCF (ASSUME 3" SOIL UNDER ASPHALT)

NEW CONCRETE HOUSEKEEPING PAD, PROVIDE 4" SLAB REINFORCED WITH #4 E/W @ 12" O.C. PLACED MID-DEPTH. RE: ARCHITECTURAL PLANS FOR PLACEMENT OF CONCRETE PADS

No.	REVISION	DATE



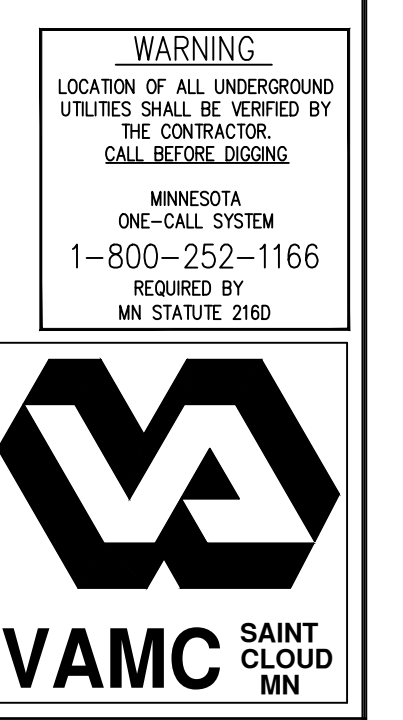
3433 BROADWAY STREET NE,
SUITE 220, MINNEAPOLIS, MN
55413



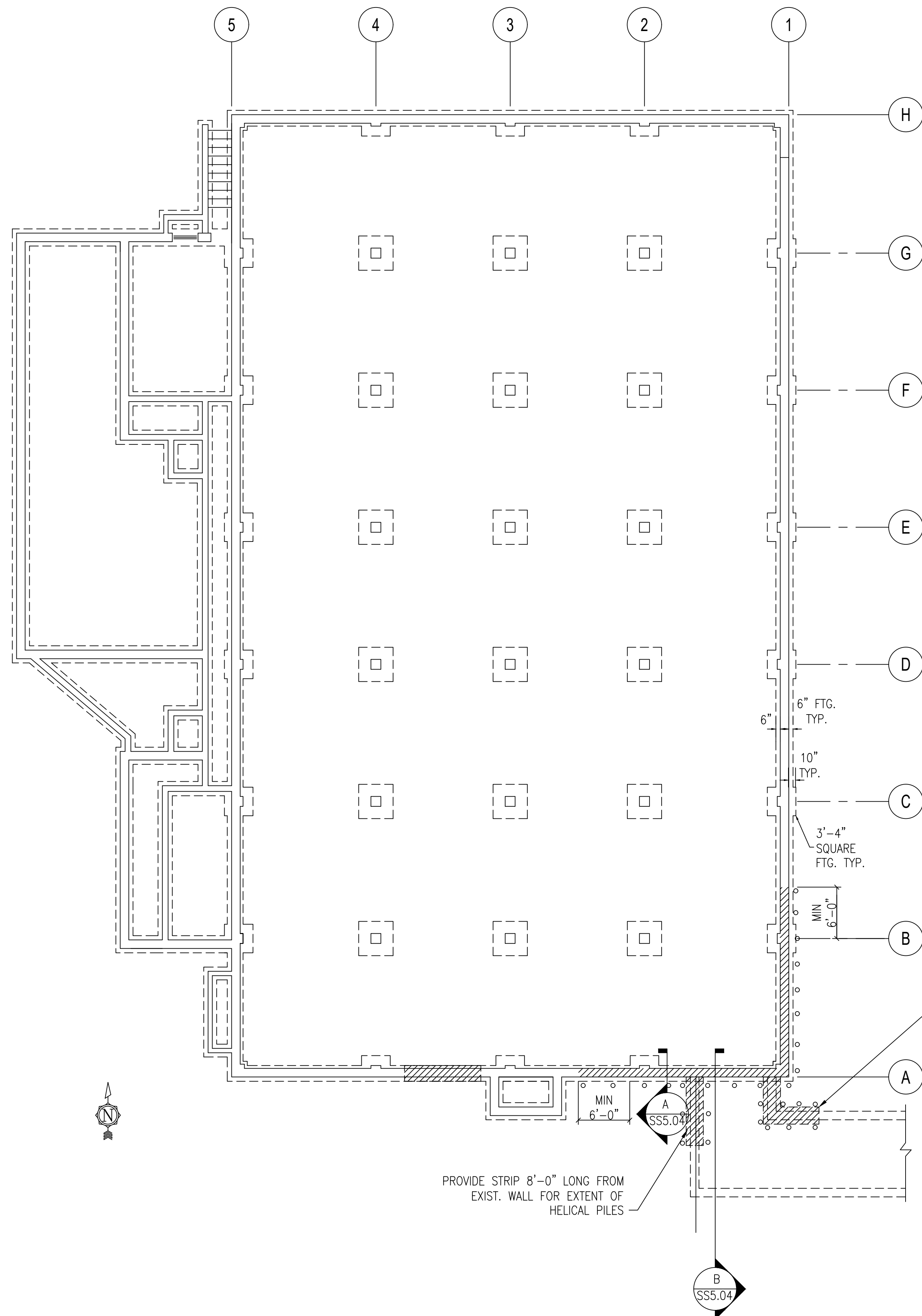
Professional Engineer
I hereby certify that this plan, specification, or report was prepared by me or under my direct supervision and that I am a duly Licensed Professional Engineer under the laws of the state of Minnesota.
Signature: [Signature]
Typed or Printed Name: [Name]
Date: 12-24-2023 License Number: 5079

APPROVED: SERVICE LINE DIRECTOR	DATE:	APPROVED: INFECTION CONTROL NURSE	DATE:	DRAWING TITLE
APPROVED: GEAR COORDINATOR	DATE:	APPROVED: PATIENT SAFETY	DATE:	BUILDING 7
APPROVED: PROJECTS SECTION MANAGER	DATE:	APPROVED: CHIEF OF POLICE	DATE:	APPROVED: CHIEF OF STAFF
APPROVED: DIRECTOR PAGE	DATE:	APPROVED: SAFETY MANAGER	DATE:	APPROVED: MEDICAL CENTER DIRECTOR

PROJECT TITLE	DATE
656-14247 REPAIR FOUNDATIONS	10/24/2023
BUILDINGS 4, 7, 9	PROJECT SCALE
St. Cloud VA Health Care System	As Indicated
Main Campus, St. Cloud, Minnesota	PROJECT NO.
	230297
BUILDING No.	CHECKED BY
7	SLK
DRAWN	JMT
CAD FILE	2023-0921
LOCATION	DWG NO.
50 MEDICAL CENTER	SS1.02
ST. CLOUD, MN 56303	DATE 11/18



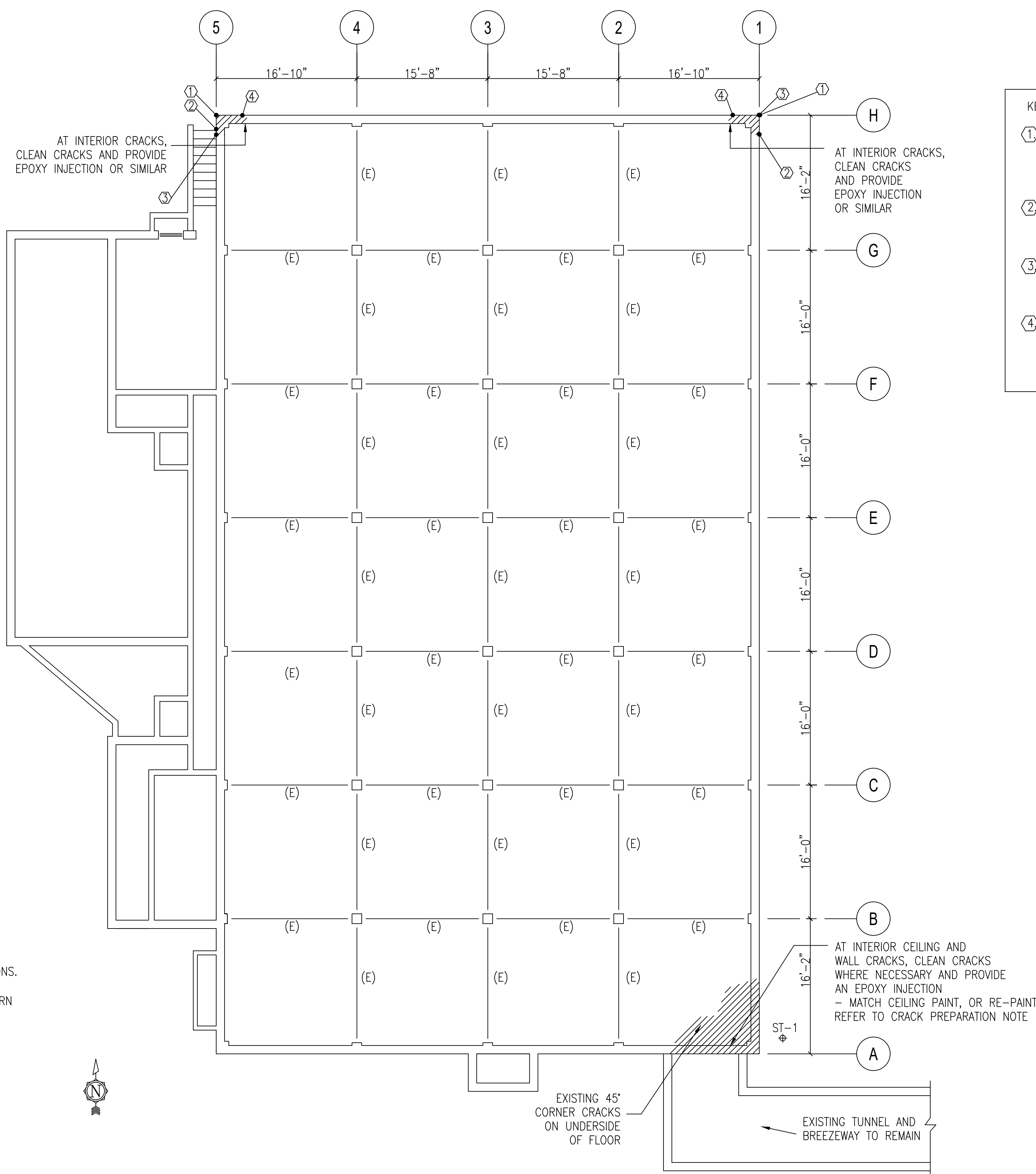
WARNING
LOCATION OF ALL UNDERGROUND UTILITIES SHALL BE VERIFIED BY THE CONTRACTOR. CALL BEFORE DIGGING.
MINNESOTA ONE-CALL SYSTEM
1-800-252-1166
REQUIRED BY MN STATUTE 216D



BUILDING 59 FOOTING AND FOUNDATION PLAN 1/8" = 1'-0"

NOTES:

- PROVIDE HELICAL PILES BY HELICAL PILE DESIGNER. LOCATIONS OF HELICAL PILE ARE TO BE FIELD VERIFIED (F.V.) ONCE FOUNDATIONS ARE EXPOSED AND ONCE FINAL CONDITIONS ARE KNOWN. LOCATION OF HELICAL PILES TO BE BY HELICAL PILE DESIGNER, ENGINEER OF RECORD TO APPROVE FINAL LAYOUT. PROVIDE ADDITIONAL HELICAL PIERS AS REQUIRED BY CONTRACTOR MEANS AND METHODS. HELICAL PILES SHOWN ARE CONCEPTUAL LOCATIONS ONLY.
- ALL HELICAL PILE SHALL BE DESIGNED BY A MINNESOTA REGISTERED ENGINEER EMPLOYED BY THE PIER FABRICATOR/INSTALLER. CALCULATIONS BEARING THE ENGINEER'S STAMP AND SIGNATURE SHALL ACCOMPANY THE SHOP DRAWINGS. PILES SHALL BE DESIGNED AND DENOTED ON THE DRAWINGS AND PER THE SOILS REPORT DATED JUNE 10, 2014 BY BRAUN INTERTEC CORPORATION.
- FOR STRUCTURAL GENERAL NOTES, SHEET SS1.00
- HELICAL PILES MAY NEED TO BE INSTALLED WITHIN THE TUNNEL. CONTRACTOR TO LAYOUT BEST FEASIBLE OPTION PRIOR TO CONSTRUCTION.
- REFER TO ARCHITECTURAL FOR ELEVATION AND GRADE CHANGES
- SERVICE LOADS ON FOUNDATIONS TO BE AS FOLLOWS:
 DL: 10,500 PLF
 LL: 2,250
 SL: 2,200 PLF
 LR: 200 PLF



BUILDING 59 FIRST FLOOR FRAMING PLAN 1/8" = 1'-0"

CRACK PREPARATION:

- CLEAN THE CRACK AND SURFACE SURROUNDING IT TO ALLOW EPOXY TO BOND TO SOUND CONCRETE.
- BRUSH THE SURFACE WITH A WIRE BRUSH AT A MIN.
- OIL, GREASE OR OTHER CONTAMINATES SHALL BE REMOVED PRIOR TO APPLICATION.
- TAKE CARE NOT TO IMPACT ANY DEBRIS INTO THE CRACK DURING CLEANING.
- BLOW OUT THE CRACK WITH CLEAN COMPRESSED AIR TO REMOVE ANY DUST, DEBRIS OR STANDING WATER.
- IF PAINT COATING OR SEALANT HAS BEEN APPLIED TO SURFACE, IT MUST BE REMOVED PRIOR TO EPOXY BEING APPLIED.
- APPLY EPOXY INJECTION PER MANUFACTURER.

KEYNOTES:

- AT INDICATED CORNER, INSTALL VERTICAL CONTROL JOINTS AS SHOWN IN BRICK FACADE AND BACKUP. EXISTING BRICK TO BE CAREFULLY REMOVED AND REINSTALLED. INSTALL HORIZONTAL LADDER-TYPED REINFORCEMENT AT 16" OC VERTICALLY. PROVIDE HORIZONTAL LADDER-TYPE REINFORCEMENT BACK ACROSS WALL THICKNESS AT 16" OC VERTICALLY AND HORIZONTALLY. PROVIDE WEEPS PER ARCHITECTURAL.
- REMOVE AND REINSTALL BRICK AND PROVIDE VERTICAL CONTROL JOINT THROUGH ENTIRE WALL THICKNESS. EXTENT OF FULL HEIGHT BRICK REMOVAL APPROXIMATELY 4'-0" FROM BUILDING CORNER. COORDINATE WITH ARCHITECTURAL.
- STRAP CONCRETE FOUNDATION WALL AT BUILDING EXTERIOR WITH (3) SIMPSON CMST14 STRAPS. SECURE EACH STRAP TO EXISTING FOUNDATION WALLS WITH (18) X-C P8 CONCRETE NAILS (OR SIMILAR) AT EACH SIDE OF CORNER.
- REMOVE AND REINSTALL BRICK AND PROVIDE VERTICAL CONTROL JOINT THROUGH ENTIRE WALL THICKNESS. EXTENT OF FULL HEIGHT BRICK REMOVAL APPROXIMATELY 3'-8" FROM BUILDING CORNER ON EAST AND WEST FACADES. COORDINATE WITH ARCHITECTURAL. CONTRACTOR TO REMOVE BRICK IN SECTIONS TO PERFORM WORK. SHORE BRICK ABOVE SECTIONS REMOVED. DO NOT REMOVE ALL BRICK AT ONCE.

BRAUN INTERTEC		LOG OF BORING			
Braun Project 614-02230 Geotechnical Evaluation St. Cloud VA Foundations Repair Veterans Drive St. Cloud, Minnesota		BORING: ST-1 LOCATION: See sketch.			
DRILLER: R. Hansen	METHOD: 3 1/4" HSA, Autohammer	DATE: 5/15/14	SCALE: 1" = 8'		
Depth (ft)	Symbol	Description of Materials (ASTM E2488 or OTHER, Test SOURCE EM1110-1-2008)	SPF	WT.	Tests or Notes
0.0	FILL	FILL: Silty Sand, fine-grained, dark brown, moist.			
7.0	GP	POORLY GRADED SAND, fine- to medium-grained, brown, moist, loose to medium dense. (Glacial Outwash)			
17.0	GP	POORLY GRADED GRAVEL, brown, waterbearing, medium dense to loose. (Glacial Outwash)			An open triangle in the water level (W/L) column indicates the depth at which groundwater was first observed while drilling.
31.0		END OF BORING.			
Water observed at 17 feet while drilling. Water observed at 16 feet with 29 1/2 feet of hollow-stem auger in the ground. Boring then backfilled.					

BORING LOG AT LOCATION ST-1 BY BRAUN INTERTEC - FOR COMPLETE DETAILS, REFER TO THE SOILS REPORT DATED JUNE 10, 2014 - CONTRACTOR TO VERIFY SOIL CONDITIONS AS REQUIRED IN THE FIELD.

WARNING
 LOCATION OF ALL UNDERGROUND UTILITIES SHALL BE VERIFIED BY THE CONTRACTOR CALL BEFORE DIGGING
 MINNESOTA ONE-CALL SYSTEM
 1-800-252-1166
 REQUIRED BY MN STATUTE 216D

No.	REVISION	DATE



3433 BROADWAY STREET NE,
SUITE 220, MINNEAPOLIS, MN
55413

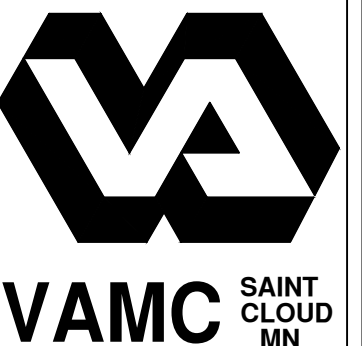


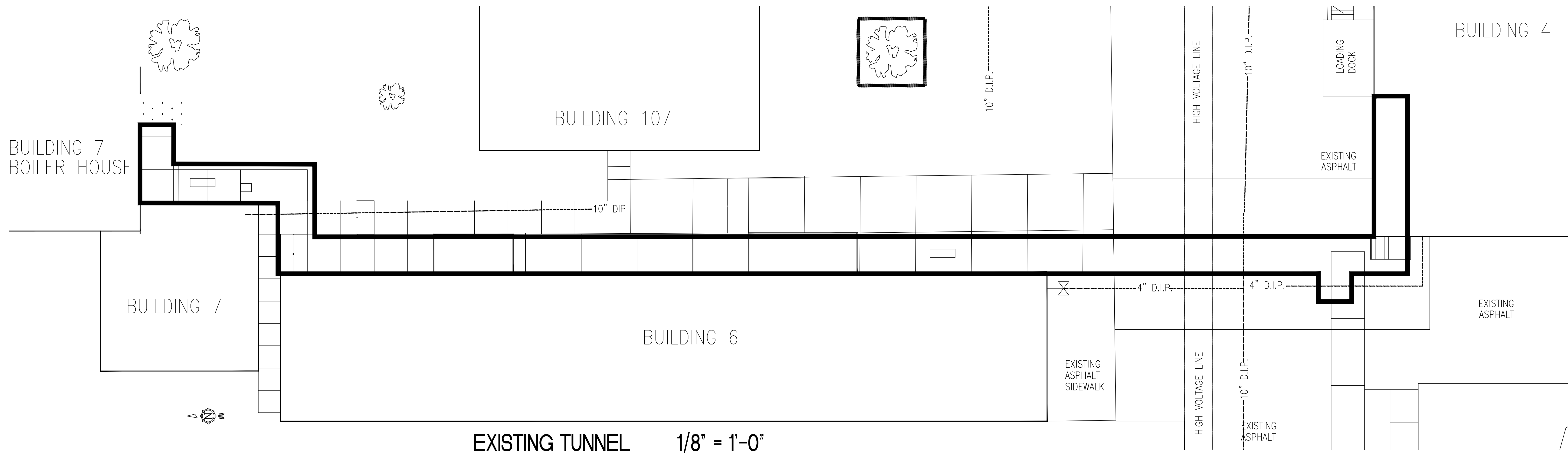
701 Washington Ave North, Suite 200 | Minneapolis, MN 55401 | 612.338.2029

Professional Engineer
 I hereby certify that this plan, specification, or report was prepared by me or under my direct supervision and that I am a duly Licensed Professional Engineer under the laws of the state of Minnesota.
 Signature: [Signature]
 Typed or Printed Name: BRADY L. KRATZIG, PE
 Date: 10/24/2023 License Number: 5079

APPROVED: SERVICE LINE DIRECTOR	DATE:	APPROVED: INFECTION CONTROL NURSE	DATE:
APPROVED: GEMS COORDINATOR	DATE:	APPROVED: PATIENT SAFETY	DATE:
APPROVED: PROJECTS SECTION MANAGER	DATE:	APPROVED: CHIEF OF POLICE	DATE:
APPROVED: DIRECTOR FMS	DATE:	APPROVED: SAFETY MANAGER	DATE:

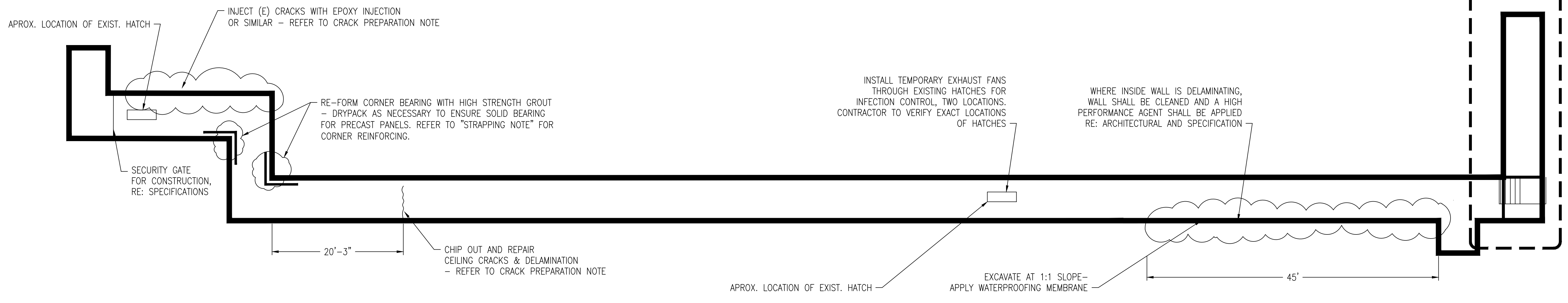
DRAWING TITLE		PROJECT TITLE		DATE	
BUILDING 59		656-14-247 REPAIR FOUNDATIONS BUILDINGS 4, 7, 9 St. Cloud VA Health Care System Main Campus, St. Cloud, Minnesota		10/24/2023	
APPROVED: CHIEF OF STAFF		APPROVED: CHIEF OF STAFF		PROJECT NO. 230297	
DATE:		DATE:		CAD FILE 2023-0921	
DRAWN BY: SLK		DRAWN BY: JMT		DRAWING NO. SS 02	
CHECKED BY: SLK		CHECKED BY: JMT		DATE 12 of 18	
LOCATION: VA MEDICAL CENTER ST. CLOUD, MN 56303		LOCATION: VA MEDICAL CENTER ST. CLOUD, MN 56303		REVISION NO. 12 of 18	





EXISTING TUNNEL 1/8" = 1'-0"

EXISTING TUNNEL AND UTILITIES BASED ON ORIGINAL DESIGN DRAWINGS. CONTRACTOR SHALL FIELD VERIFY EXISTING TUNNEL DIMENSIONS AND LOCATE UTILITIES PRIOR TO CONSTRUCTION. NOTIFY EOR OF ANY DISCREPANCIES.



- NOTE:**
- MECHANICAL AND ELECTRICAL MUST BE HELD IN PLACE OR TEMPORARILY MOVED DURING CONSTRUCTION
 - IF LOCATIONS OF DISTRESS ARE FOUND NOT SHOWN ON DRAWINGS, CONTACT EOR AND OWNER PRIOR TO PATCHING FOR VERIFICATION.

TUNNEL - STRUCTURAL REMEDIATION 1/8" = 1'-0"

NOTES:
 (E) = EXISTING
 (n) = NEW
 FOR STRUCTURAL GENERAL NOTES SEE SHEET SS1.00

LOADS ON THE CORNER JOINT

DEAD LOAD: 117PSF (12" PRECAST LID WITH 2" STRUCTURAL TOPPING)
 47PSF (4" ASPHALT LOADING)

TRUCK LOADING: HS 20 LOADING

SNOW LOAD: 50PSF

SOIL LOADING: 115 PCF (ASSUME 12" SOIL UNDER ASPHALT)

HS-20 LATERAL SURCHARGE LOADING: 20PLF PER FOOT OF DEPTH

- CRACK PREPARATION:**
- CLEAN THE CRACK AND SURFACE SURROUNDING IT TO ALLOW EPOXY TO BOND TO SOUND CONCRETE.
 - BRUSH THE SURFACE WITH A WIRE BRUSH OR OTHER TOOLS AS REQUIRED TO PROVIDE A CLEAN, ROUGHENED SURFACE.
 - OIL, GREASE OR OTHER CONTAMINATES SHALL BE REMOVED PRIOR TO APPLICATION.
 - BLOW OUT THE CRACK WITH CLEAN COMPRESSED AIR TO REMOVE ANY DUST, DEBRIS OR STANDING WATER.
 - IF PAINT COATING OR SEALANT HAS BEEN APPLIED TO SURFACE, IT MUST BE REMOVED PRIOR TO EPOXY BEING APPLIED.
 - APPLY EPOXY INJECTION PER MANUFACTURER'S WRITTEN INSTRUCTIONS.

STRAPPING NOTE:

AT CORNERS, PROVIDE CARBON FIBER REINFORCED STRAPPING, OR SIMILAR, TO REPAIR THE TWO CORNERS THAT ARE CRACKED/SHEARING. PROVIDE STRAPPING FROM THE UNDERSIDE OF THE PRECAST PANELS TO THE FLOOR, PROVIDING REINFORCEMENT FOR THE ENTIRE CRACKED SECTION OF WALL.

WARNING

LOCATION OF ALL UNDERGROUND UTILITIES SHALL BE VERIFIED BY THE CONTRACTOR CALL BEFORE DIGGING.

MINNESOTA ONE-CALL SYSTEM
 1-800-252-1166
 REQUIRED BY MN STATUTE 260C

NO	REVISION	DATE



3433 BROADWAY STREET NE,
 SUITE 220, MINNEAPOLIS, MN
 55413



Professional Engineer

I hereby certify that this plan, specification, or report was prepared by me or under my direct supervision and that I am a duly licensed Professional Engineer under the laws of the state of Minnesota.

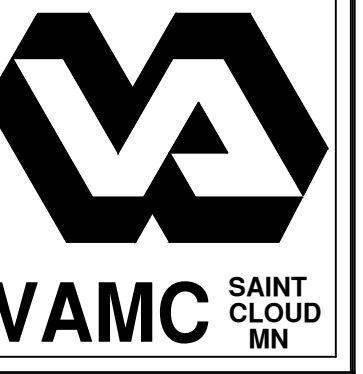
Typed or Printed Name: JOSHUA L. KRATZSCH-REHEDA
 Date: 10/24/2023 License Number: 30078

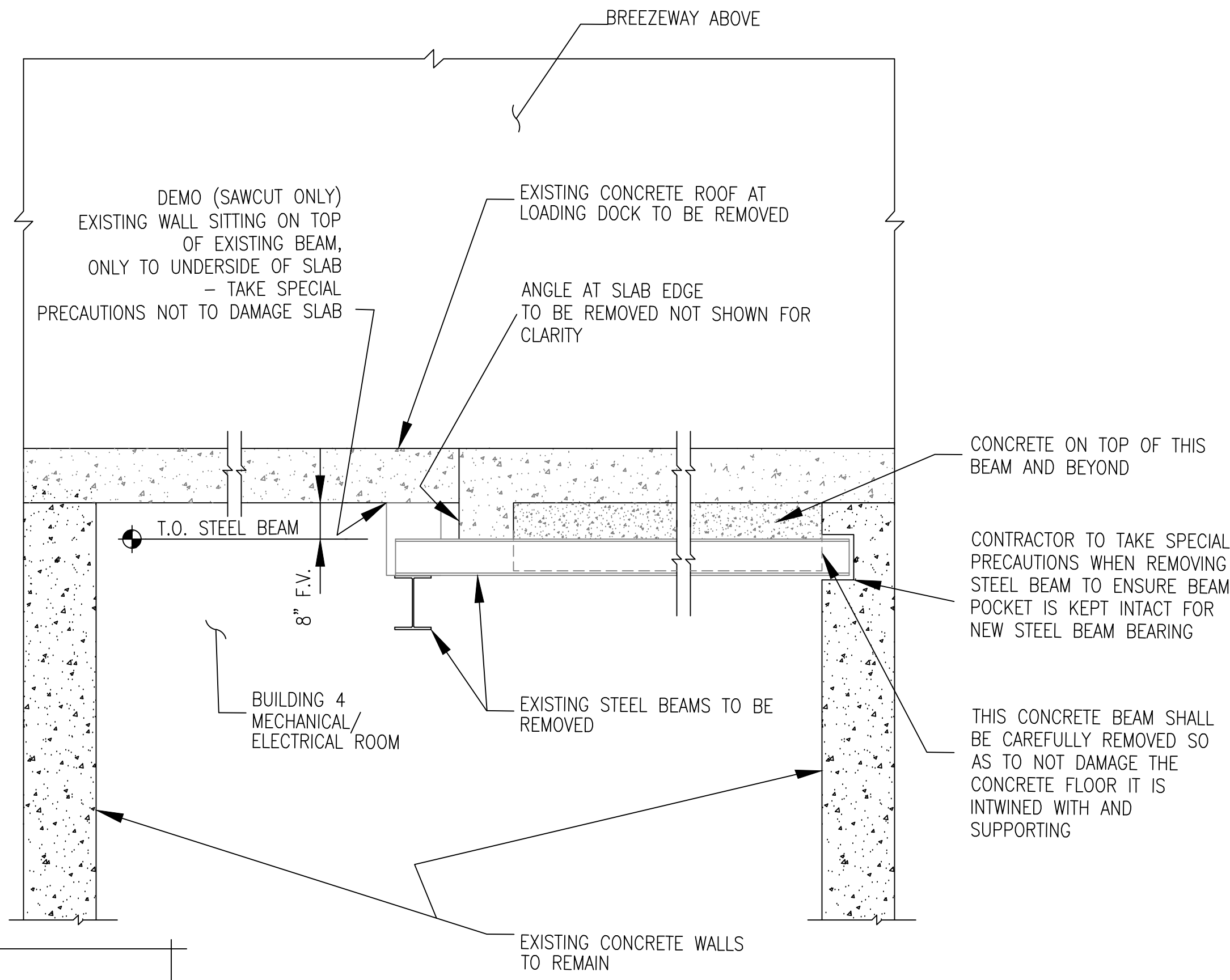
APPROVED: SERVICE LINE DIRECTOR	DATE:	APPROVED: INFECTION CONTROL NURSE	DATE:
APPROVED: GEMS COORDINATOR	DATE:	APPROVED: PATIENT SAFETY	DATE:
APPROVED: PROJECTS SECTION MANAGER	DATE:	APPROVED: CHIEF OF POLICE	DATE:
APPROVED: DIRECTOR FMS	DATE:	APPROVED: SAFETY MANAGER	DATE:

DRAWING TITLE	TUNNEL
APPROVED: CHIEF OF STAFF	DATE:
APPROVED: MEDICAL CENTER DIRECTOR	DATE:

PROJECT TITLE	656-14247 REPAIR FOUNDATIONS BUILDINGS 4, 7, 59 St. Cloud VA Health Care System Main Campus, St. Cloud, Minnesota
BUILDING NO.	TUNNEL
CHECKED BY	SLK
DRAWN BY	JMT
LOCATION	VA MEDICAL CENTER ST. CLOUD, MN 56303

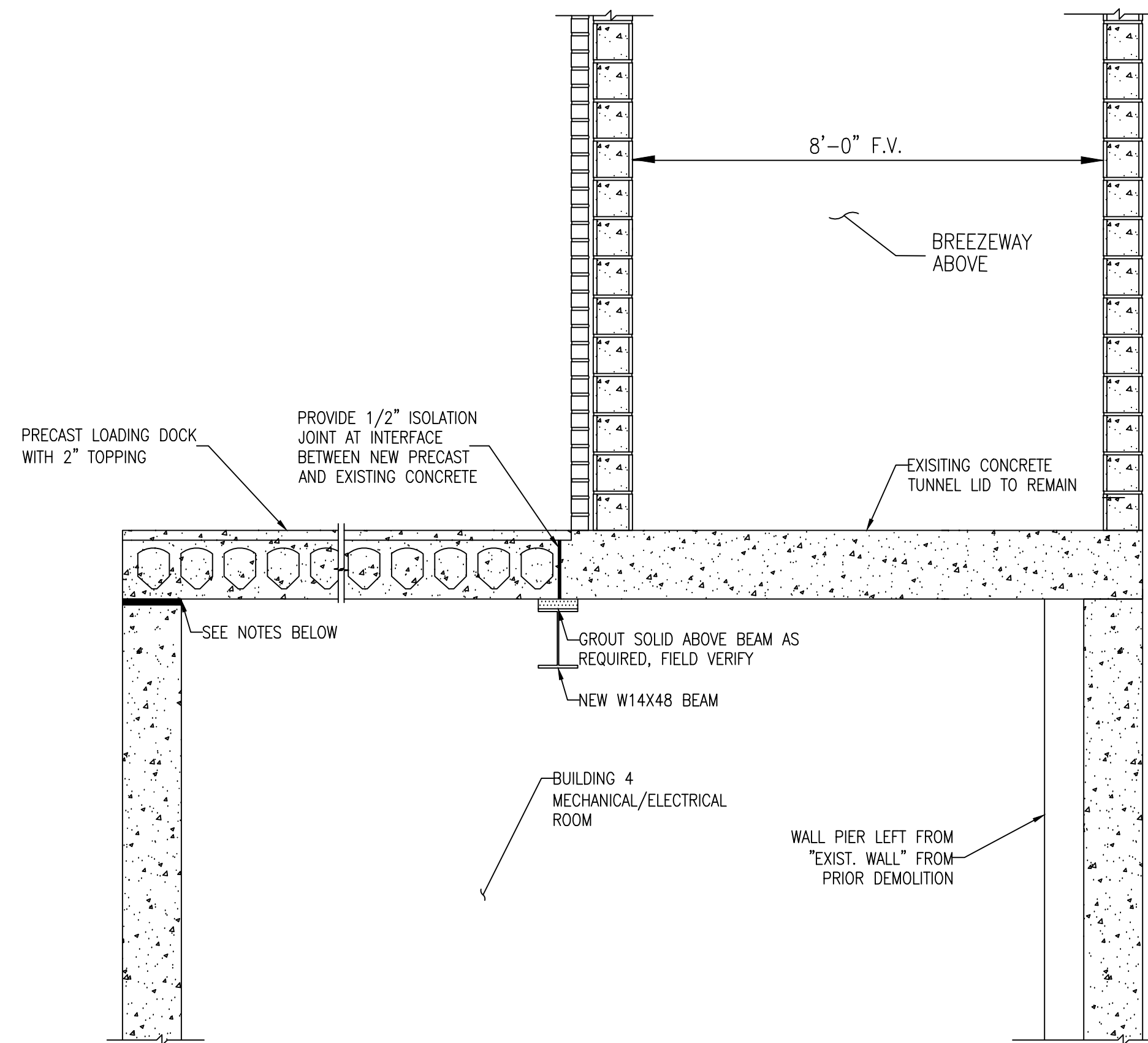
DATE	10/24/2023
PROJECT NO.	230297
CAD FILE	2023-9021
DRAWING NO.	SS1.04
SHEET	13 of 18





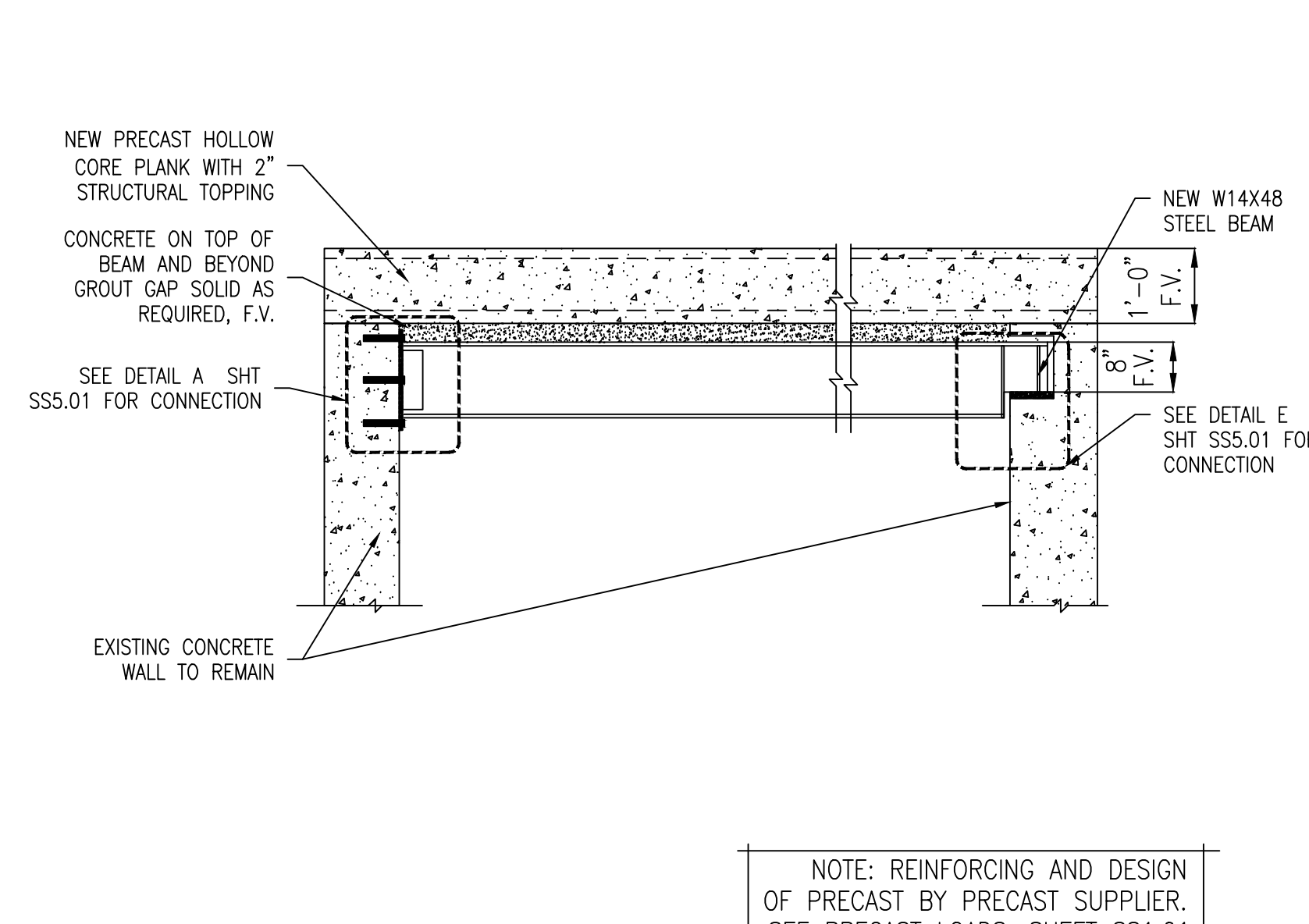
SECTION A 1/2" = 1'-0"

RE: SHEET SS1.01



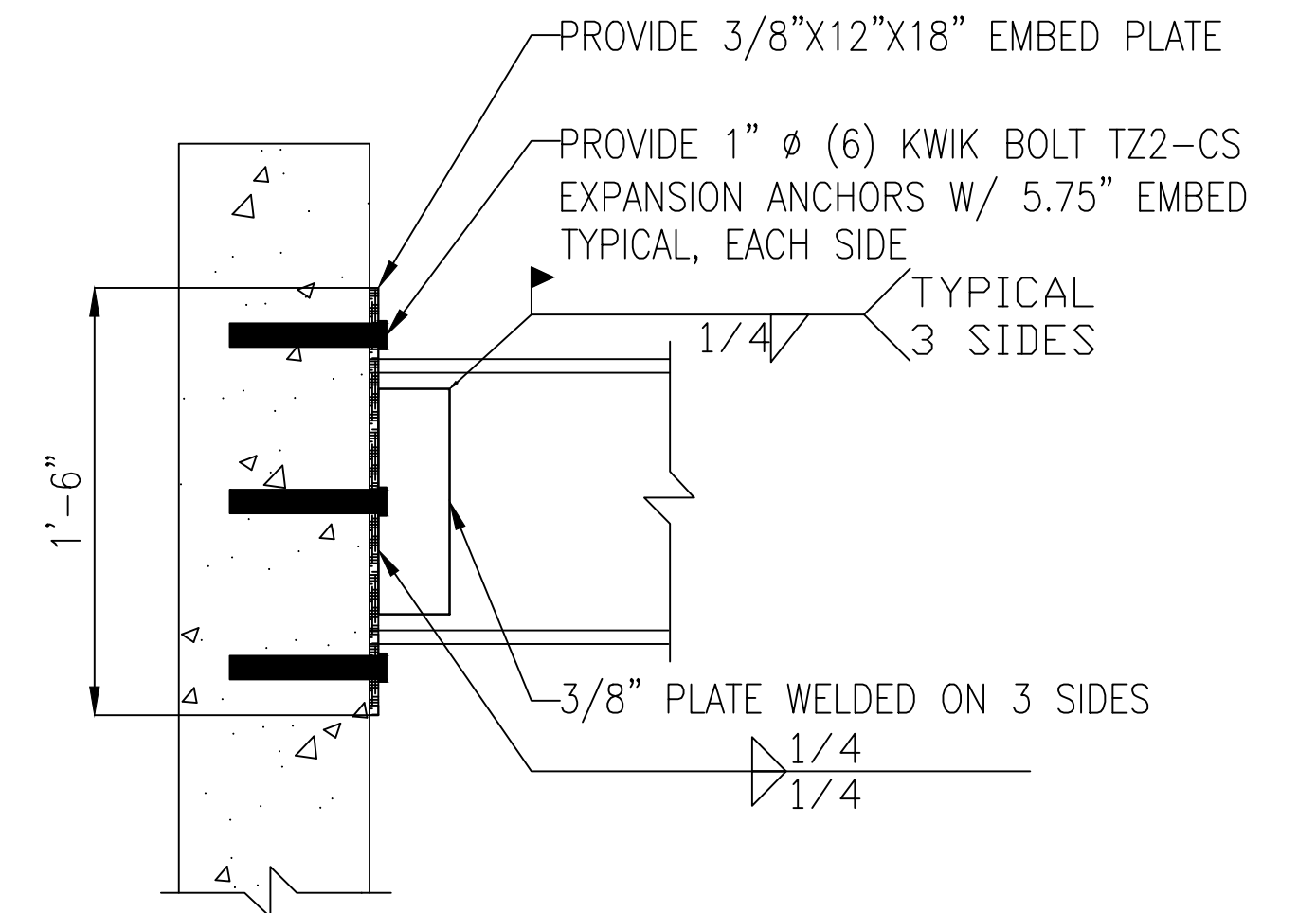
SECTION B 1/2" = 1'-0"

NOTES:
 1. CONTRACTOR TO CAREFULLY ROUGHEN EXISTING T.O.W. SURFACE TO CSP3. AVOID EXPOSING OR DAMAGING EXISTING WALL AND WALL REINFORCEMENT.
 2. PROVIDE GROUT BED FOR LEVEL PRECAST BEARING. VERIFY THICKNESS REQUIRED WITH EXISTING T.O.W. ELEVATION.



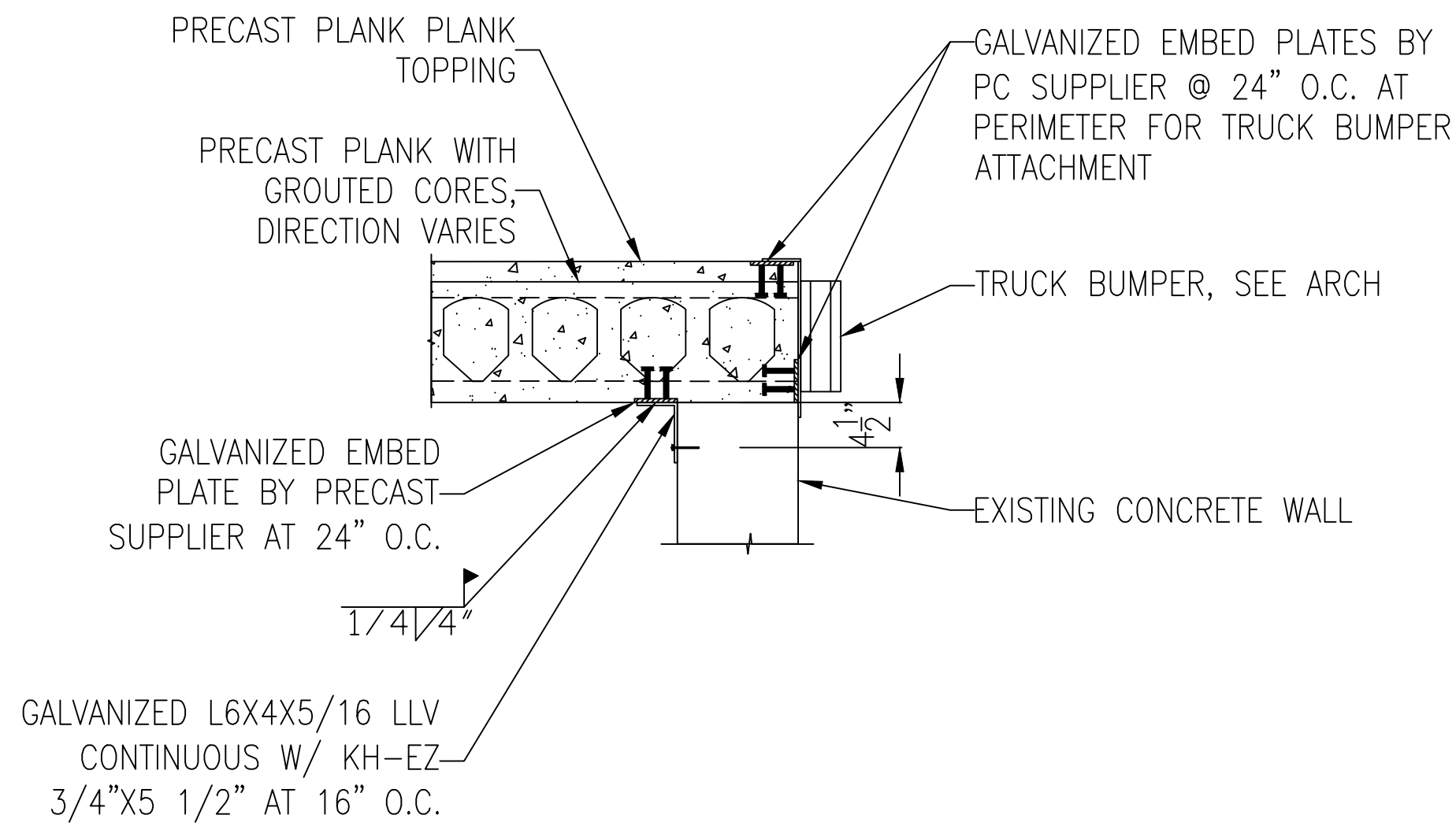
SECTION C 1/2" = 1'-0"

RE: SHEET SS1.01

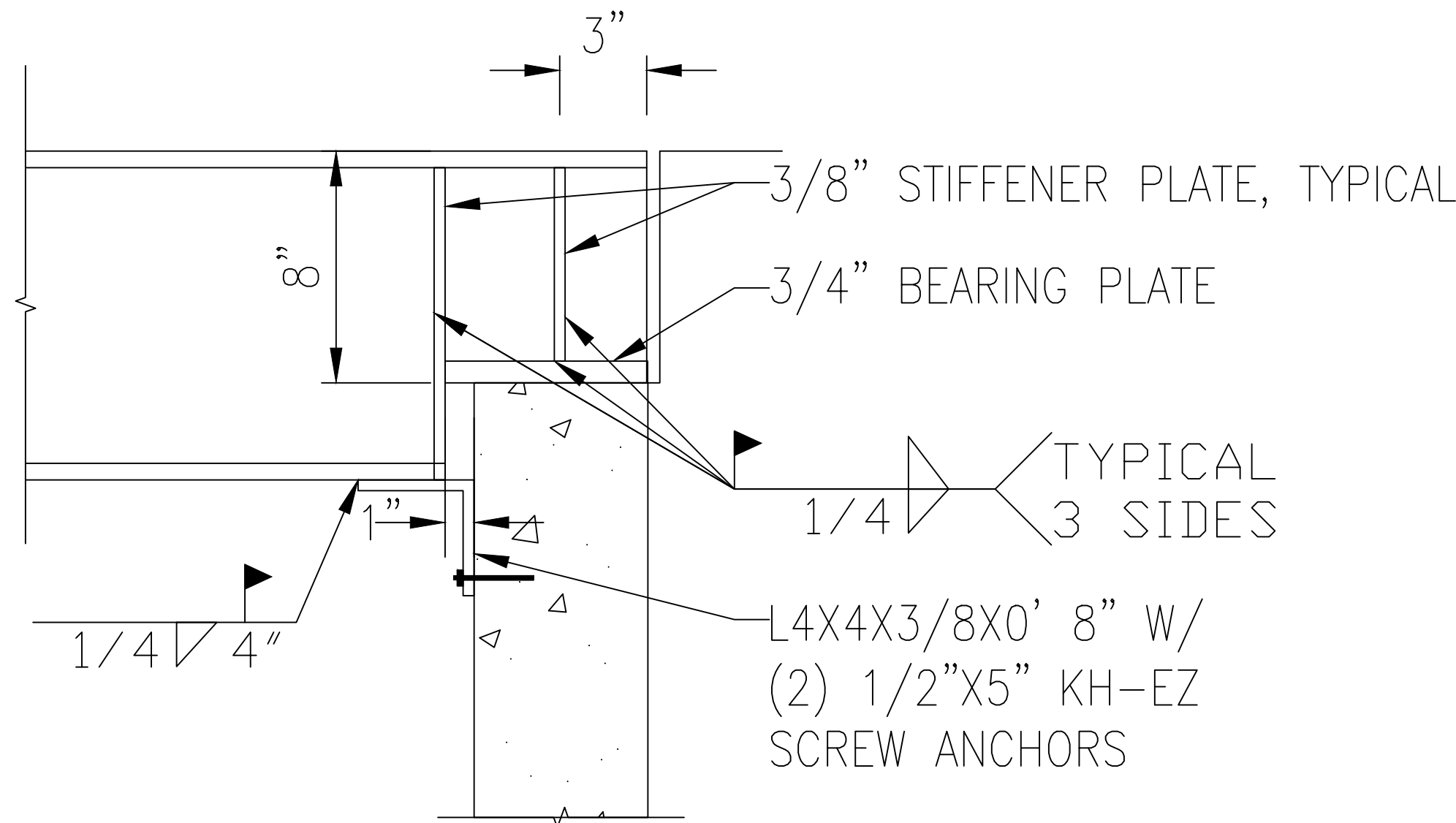


DETAIL A 1" = 1'-0"

NOTE:
 CONCRETE LOADING DOCK AND EXISTING FLOORS TO BE SHORED AS NECESSARY UNTIL NEW PRECAST STRUCTURE IS SECURELY IN PLACE

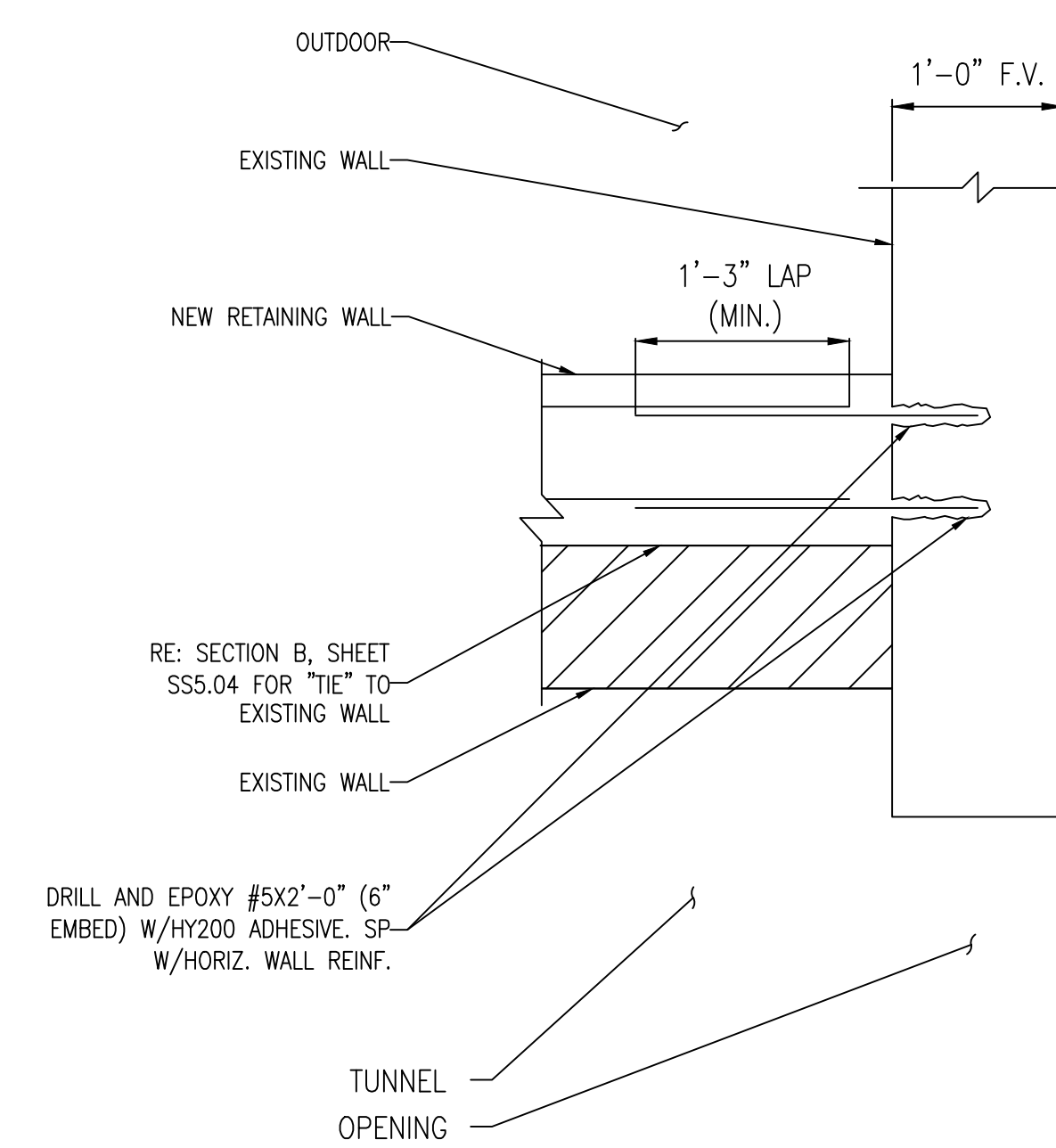


SECTION D 1/2" = 1'-0"



DETAIL E 1" = 1'-0"

NOTE: REINFORCING AND DESIGN OF PRECAST BY PRECAST SUPPLIER. SEE PRECAST LOADS, SHEET SS1.01



PLAN VIEW F 1" = 1'-0"

TYPICAL CONNECTION AT BOTH ENDS OF NEW RETAINING WALL

No.	REVISION	DATE



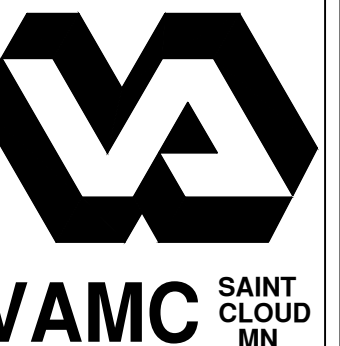
3433 BROADWAY STREET NE,
 SUITE 220, MINNEAPOLIS, MN
 55413

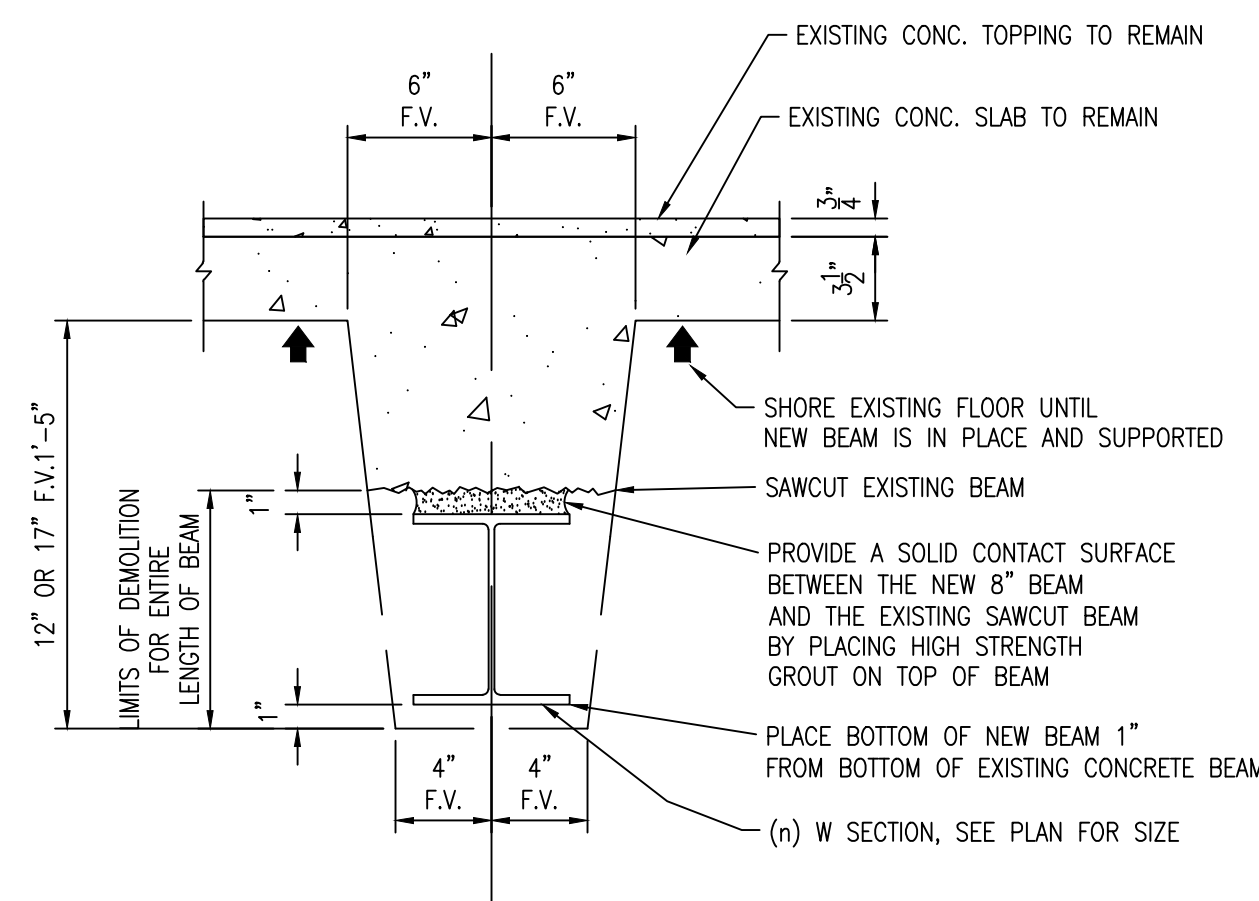


701 Washington Ave North, Suite 200 | Minneapolis, MN 55401 | 612.338.2029

Professional Engineer
 I hereby certify that this plan, specification, or report was prepared by me or under my direct supervision and that I am a duly Licensed Professional Engineer under the laws of the state of Minnesota.
 Signature: _____
 Typed or Printed Name: JOYDIAL KRATZEL, PE, MESA
 Date: 10/24/2023 License Number: 10079

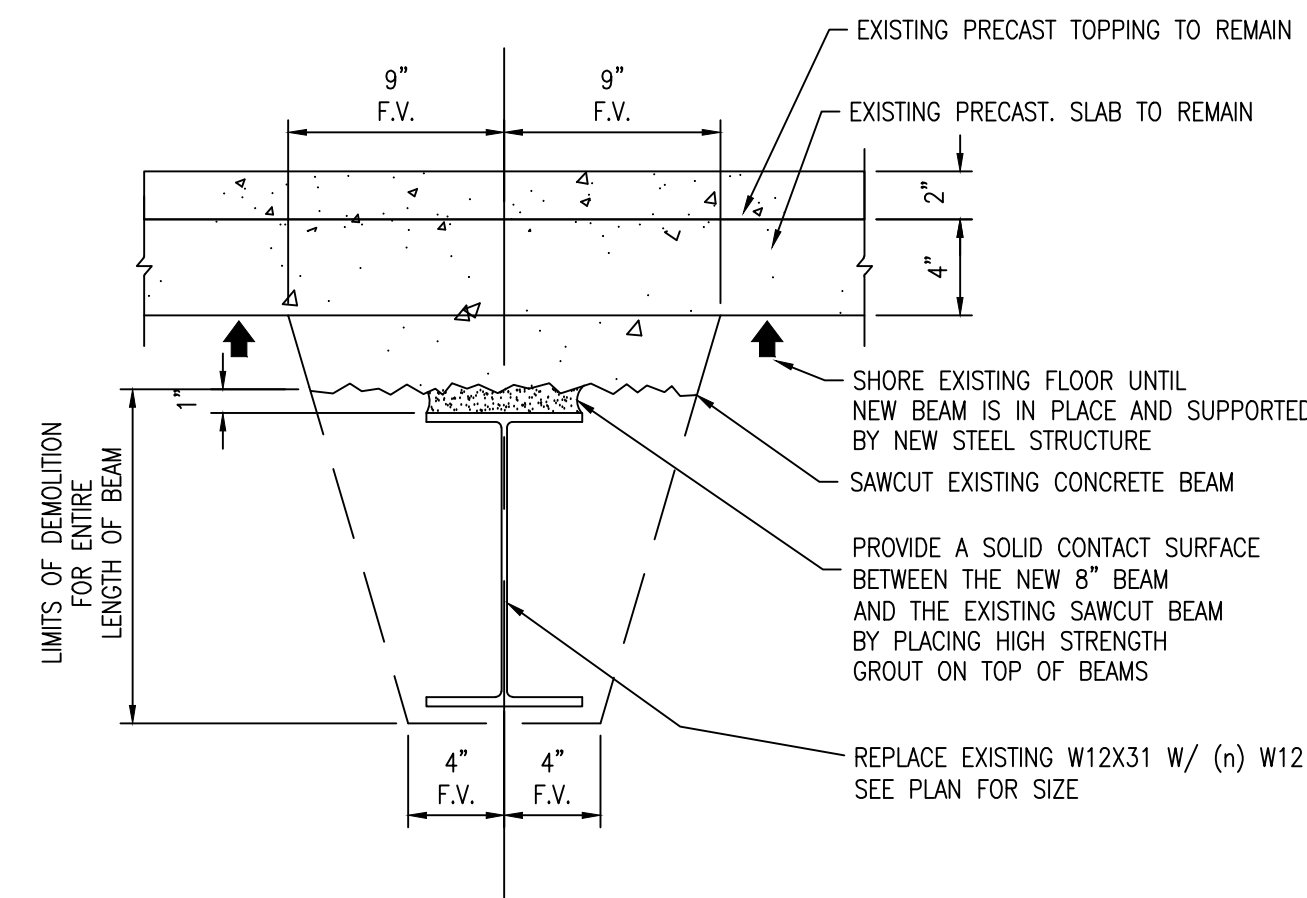
APPROVED: SERVICE LINE DIRECTOR	DATE:	APPROVED: INFECTION CONTROL NURSE	DATE:	DRAWING TITLE
				BUILDING 4 DETAILS
APPROVED: GEARS COORDINATOR	DATE:	APPROVED: PATIENT SAFETY	DATE:	PROJECT TITLE
				656-14-247 REPAIR FOUNDATIONS
APPROVED: PROJECTS SECTION MANAGER	DATE:	APPROVED: CHIEF OF POLICE	DATE:	BUILDINGS 4, 7, 9
				St. Cloud VA Health Care System
APPROVED: DIRECTOR FIVE	DATE:	APPROVED: SAFETY MANAGER	DATE:	Main Campus, St. Cloud, Minnesota
				PROJECT NO. 230297
				DATE: 10/24/2023
				PE/ST. SCALE: As Indicated
				DRAWING No. 4
				DESIGNED BY: SLK
				DRAWN BY: JMT
				CAD FILE: 2023-0921
				LOCATION: VA MEDICAL CENTER
				ST. CLOUD, MN 56303
				DWG. NO. SS5.01
				DATE: 14 of 18



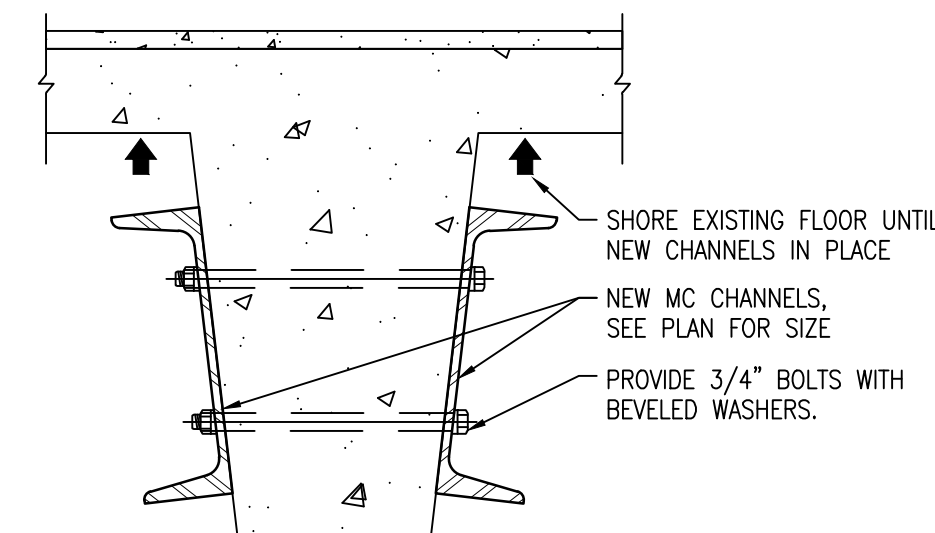


- NOTES:
1. F.V. INDICATES FIELD VERIFY DIMENSIONS BEFORE CUTTING BEAM
 2. REFER TO ARCHITECTURAL FOR BEAM WRAP
 3. PRECAST NOT SHOWN FOR CLARITY.

SECTION A 1 1/2" = 1'-0"
RE: SHEET SS102

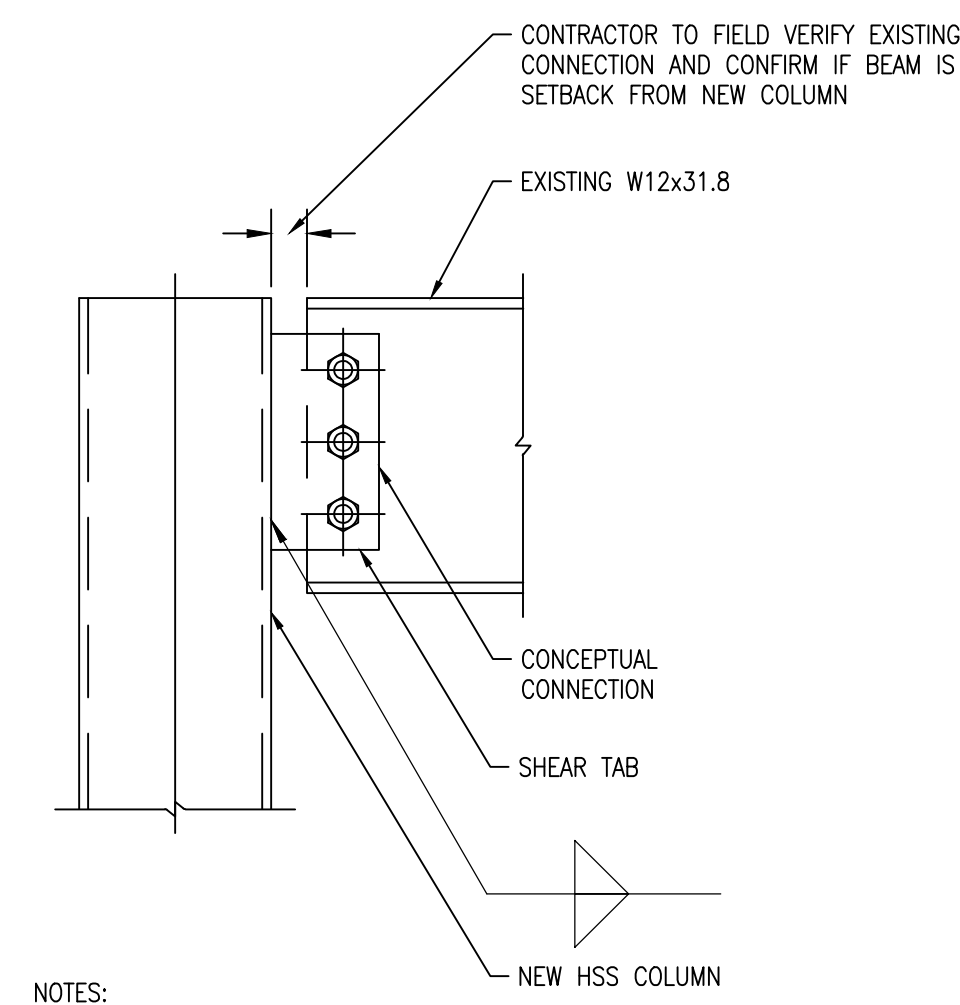


SECTION B 1 1/2" = 1'-0"
RE: SHEET SS102



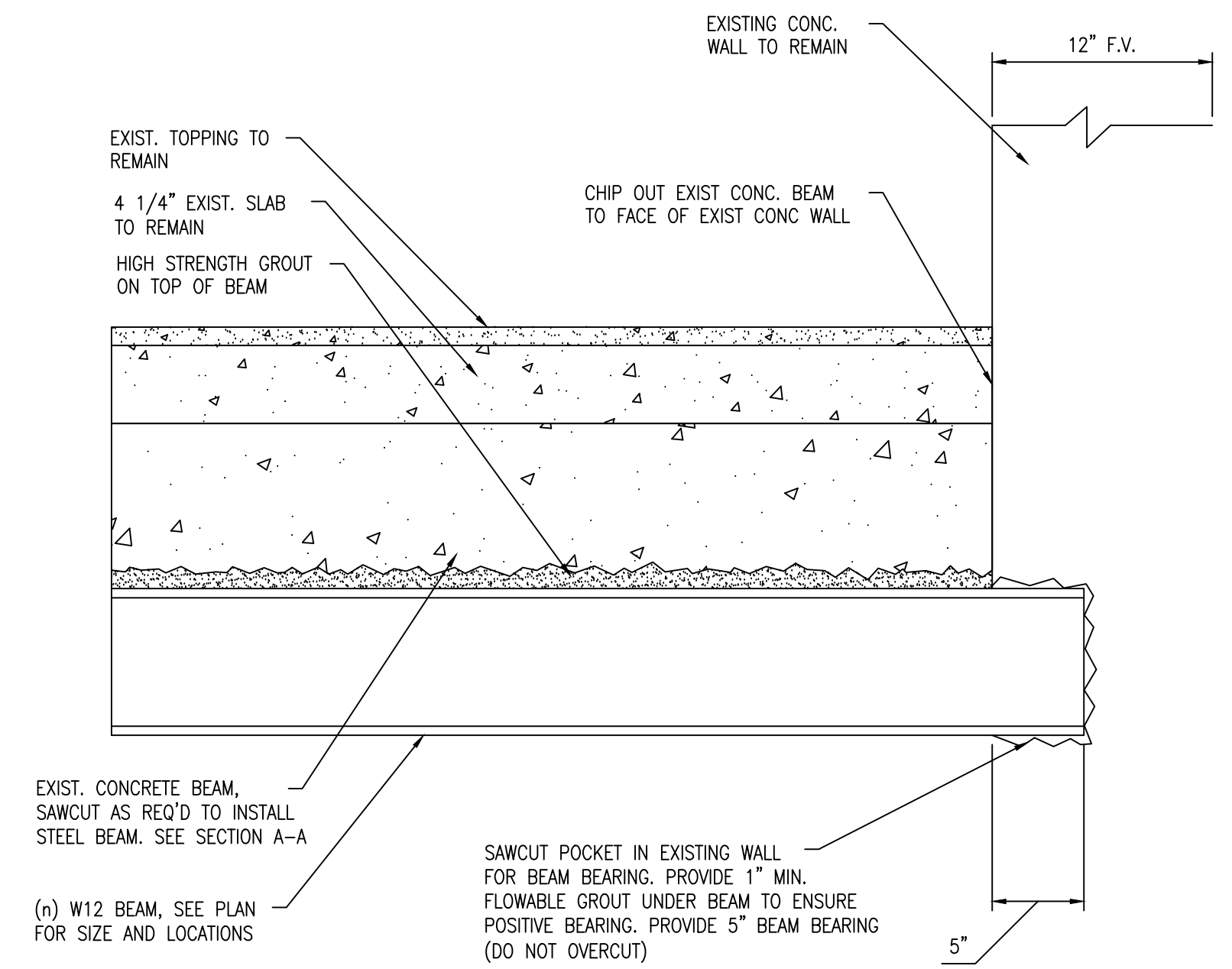
- NOTES:
1. PROVIDE (2) BOLTS VERTICALLY EACH END OF MC MEMBERS, THEN STAGGER BOLTS TOP AND BOTTOM AT 12" O.C. FOR ENTIRE LENGTH OF BEAM. SCAN BEAM PRIOR TO INSTALLATION TO AVOID INTERRUPTING EXISTING REINFORCEMENT.
 2. PRIOR TO INSTALLATION OF CHANNELS, PATCH ANY VOIDS IN BEAM TO PROVIDE FLUSH BEARING SURFACE FOR NEW STEEL MEMBERS.
 3. PRECAST NOT SHOWN FOR CLARITY
 4. AT SIMILAR, PROVIDE BOLTS AT 1" O.C. CENTERED ON MC MEMBERS.

SECTION C 1 1/2" = 1'-0"
RE: SHEET SS102



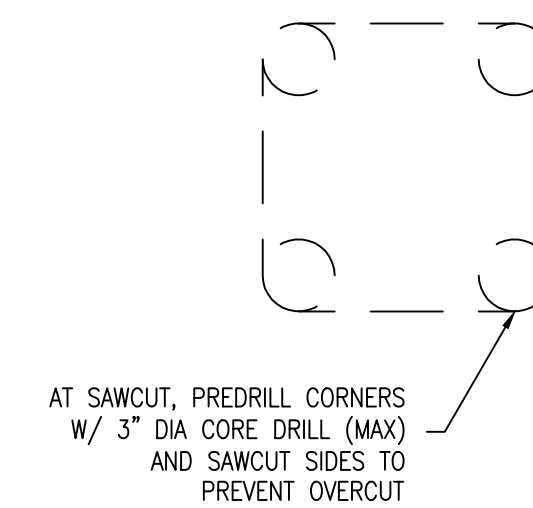
- NOTES:
1. CONNECTIONS SHOWN IS CONCEPTUAL ONLY AND ARE TO BE DESIGNED BY STEEL FABRICATOR. EXISTING CONCRETE AND SUPPLEMENTAL STEEL FRAMING NOT SHOWN FOR CLARITY.
 2. CONTRACTOR TO CAREFULLY REMOVE EXISTING CONCRETE AT END OF BEAM TO CONFIRM EXISTING CONNECTION CONDITIONS. SHORE EXISTING BEAMS AND STRUCTURE PRIOR TO INSTALLATION OF NEW STEEL.
 3. AFTER CONNECTION COMPLETED, PATCH BEAM TO PRESERVE FIRE RATING.
 4. PRECAST NOT SHOWN FOR CLARITY.

SECTION D 1 1/2" = 1'-0"
RE: SHEET SS102

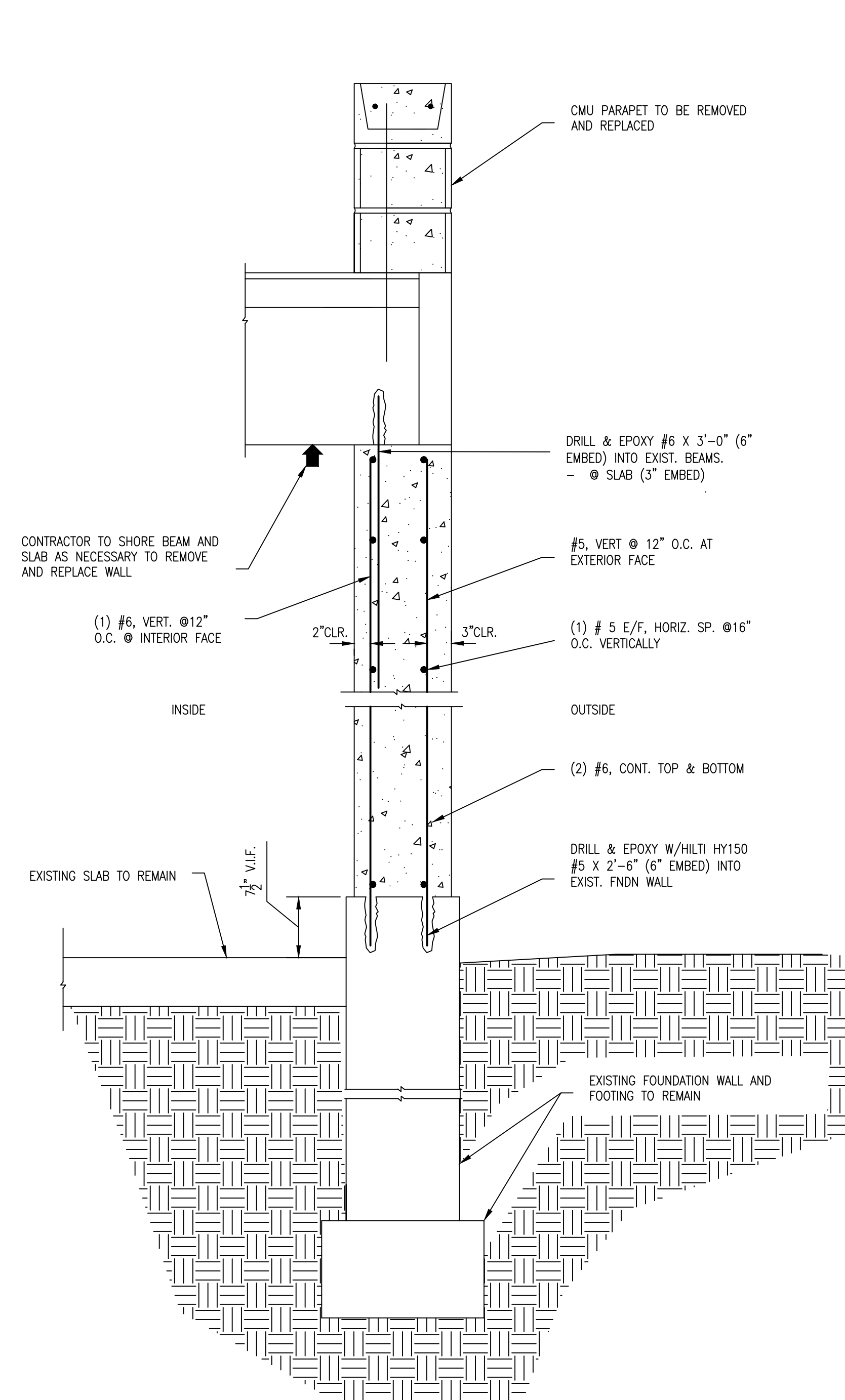


- NOTE:
1. PRECAST NOT SHOWN FOR CLARITY

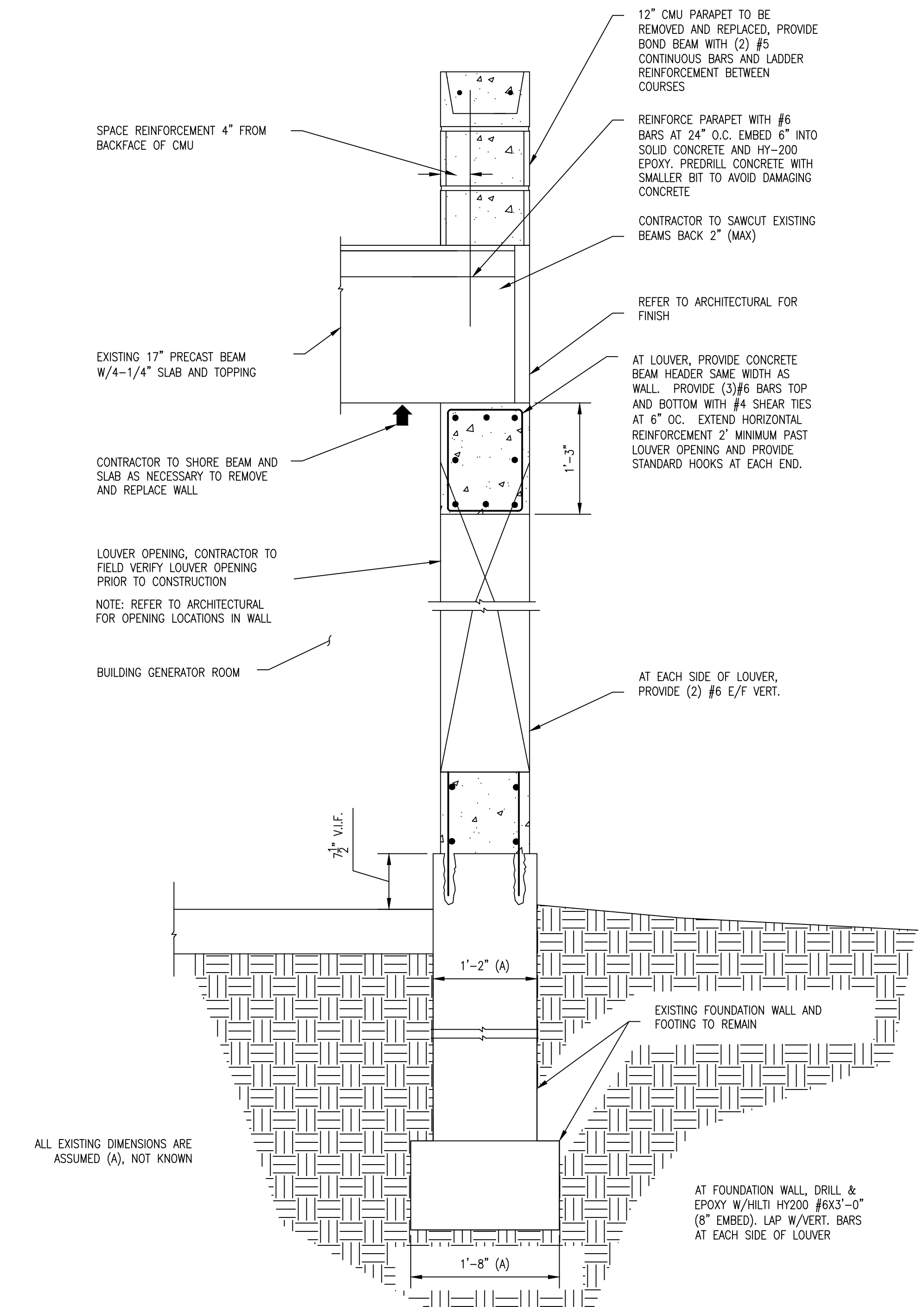
SECTION E 1 1/2" = 1'-0"
RE: SHEET 5



SAWCUT DETAIL (NO SCALE)



SECTION H 1" = 1'-0"
RE: SHEET SS102



SECTION J 1" = 1'-0"
RE: SHEET SS102

WARNING
LOCATION OF ALL UNDERGROUND UTILITIES SHALL BE VERIFIED BY THE CONTRACTOR. CALL BEFORE DIGGING.
MINNESOTA ONE-CALL SYSTEM
1-800-252-1166
REQUIRED BY MN. STATUTE 215D

No.	REVISION	DATE



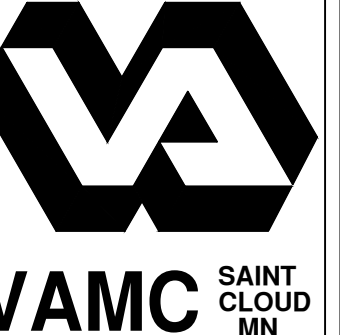
3433 BROADWAY STREET NE,
SUITE 220, MINNEAPOLIS, MN
55413

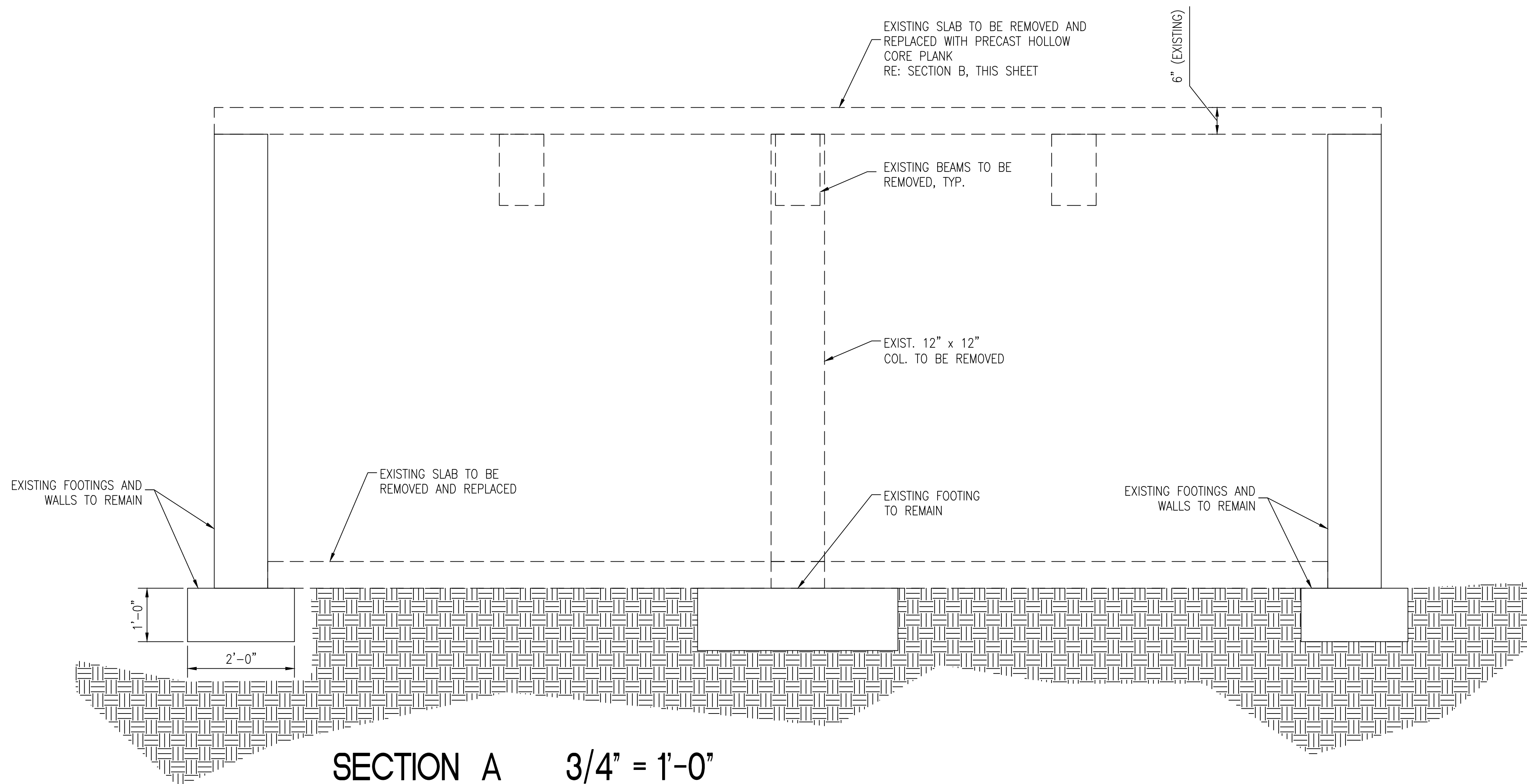


701 Washington Ave North, Suite 200 | Minneapolis, MN 55401 | 612.338.2029

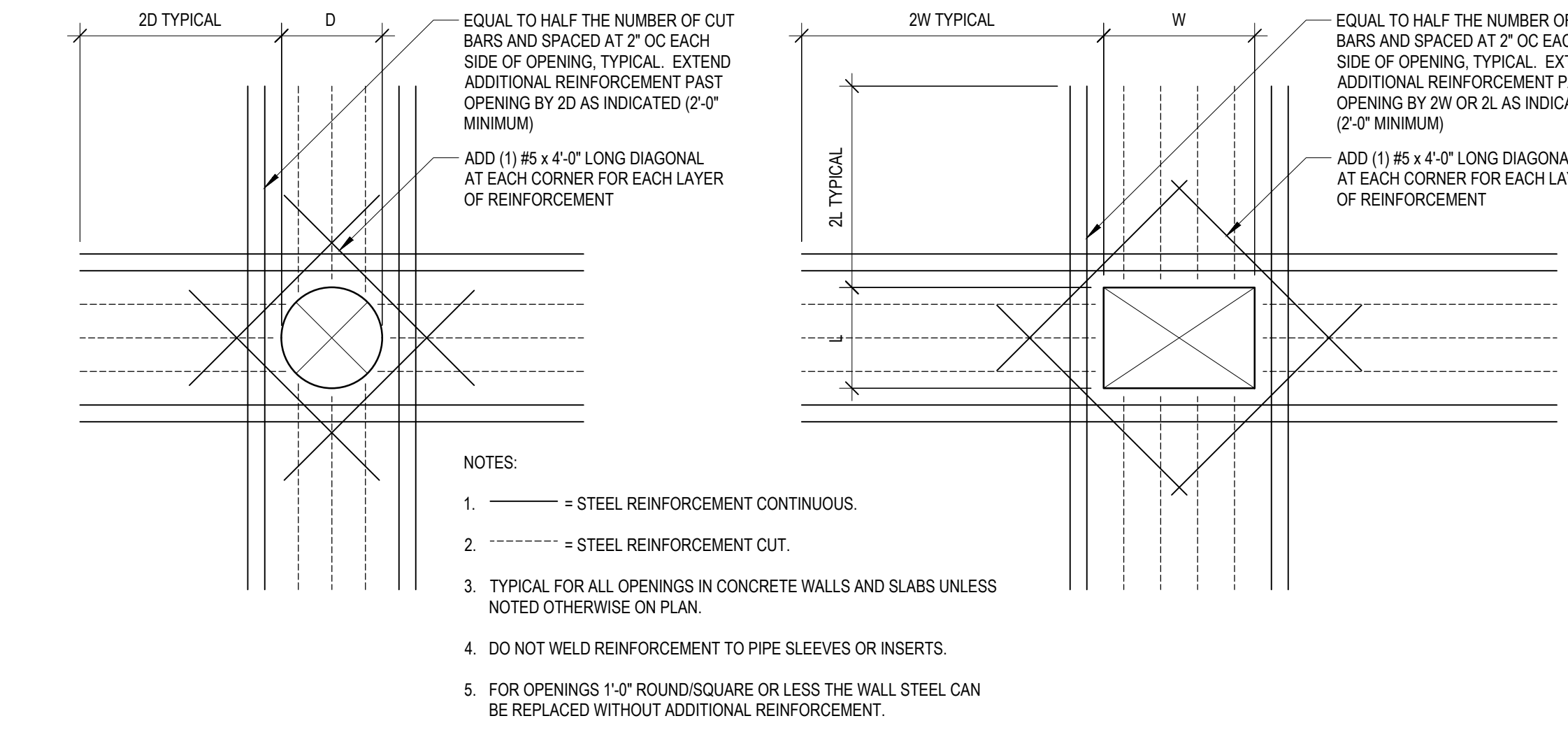
Professional Engineer
I hereby certify that this plan, specification, or report was prepared by me or under my direct supervision and that I am a duly Licensed Professional Engineer under the laws of the State of Minnesota.
Signature: _____
Typed or Printed Name: SHAWN L. WATSON, P.E.
Date: 02/24/2023 License Number: 5073

APPROVED: SERVICE LINE DIRECTOR	DATE:	APPROVED: INFECTION CONTROL NURSE	DATE:	DRAWING TITLE	PROJECT TITLE	DATE
APPROVED: GEARS COORDINATOR	DATE:	APPROVED: PATIENT SAFETY	DATE:	BUILDING 7 DETAILS	656-14-247 REPAIR FOUNDATIONS	10/24/2023
APPROVED: PROJECTS SECTION MANAGER	DATE:	APPROVED: CHIEF OF POLICE	DATE:	APPROVED: CHIEF OF STAFF	BUILDINGS 4, 7, 9	FEET SCALE: As Indicated
APPROVED: DIRECTOR FMS	DATE:	APPROVED: SAFETY MANAGER	DATE:	APPROVED: MEDICAL CENTER DIRECTOR	St. Cloud VA Health Care System	PROJECT NO. 230297
					Main Campus, St. Cloud, Minnesota	PROJECT NO. 230297
					BUILDING No. 7	CHECKED BY: JMT
					SLK	DRAWN: JMT
					ST. CLOUD, MN 56303	CAD FILE: 2023-0921
						DWG NO. SS102
						DATE: 02/15/23



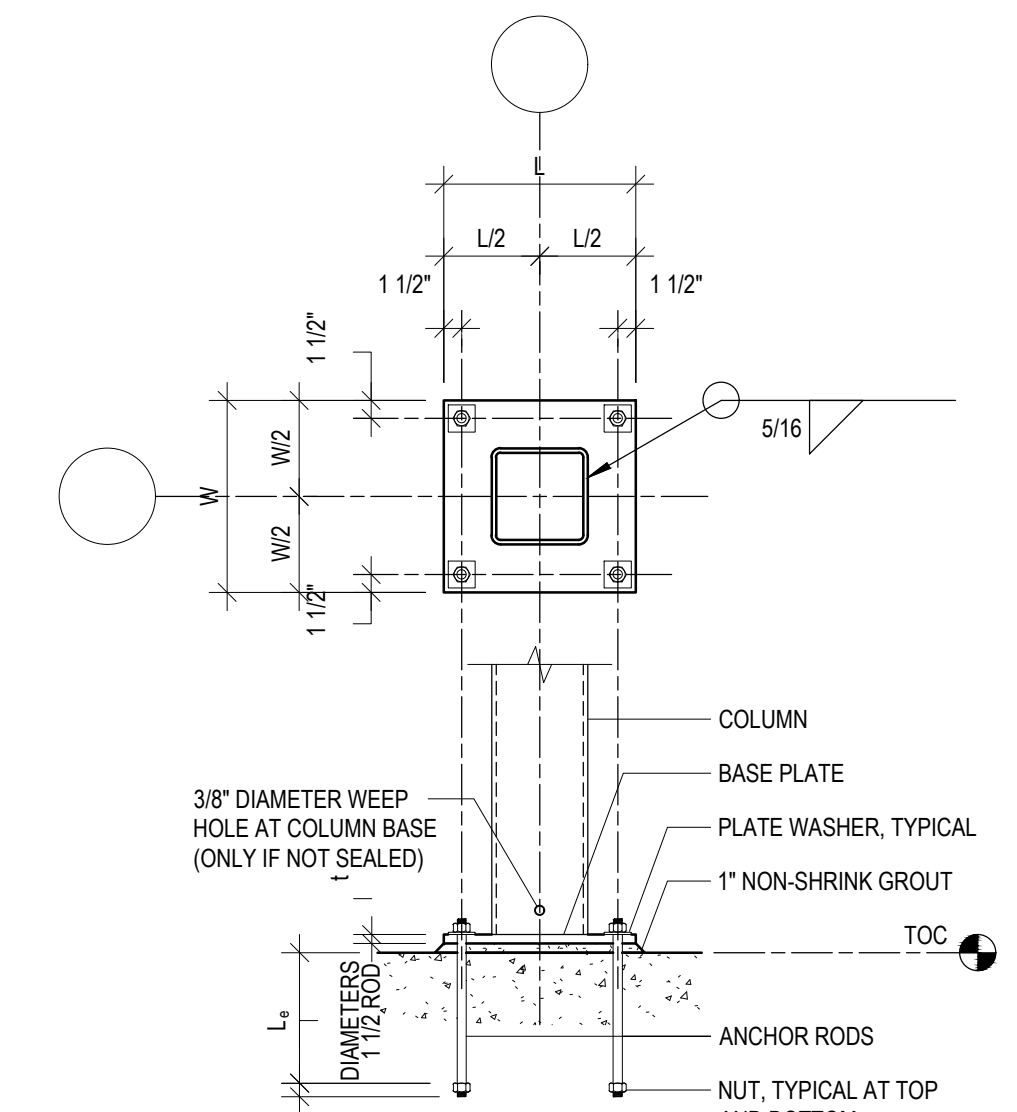


SECTION A 3/4" = 1'-0"
DEMOLITION SECTION ONLY

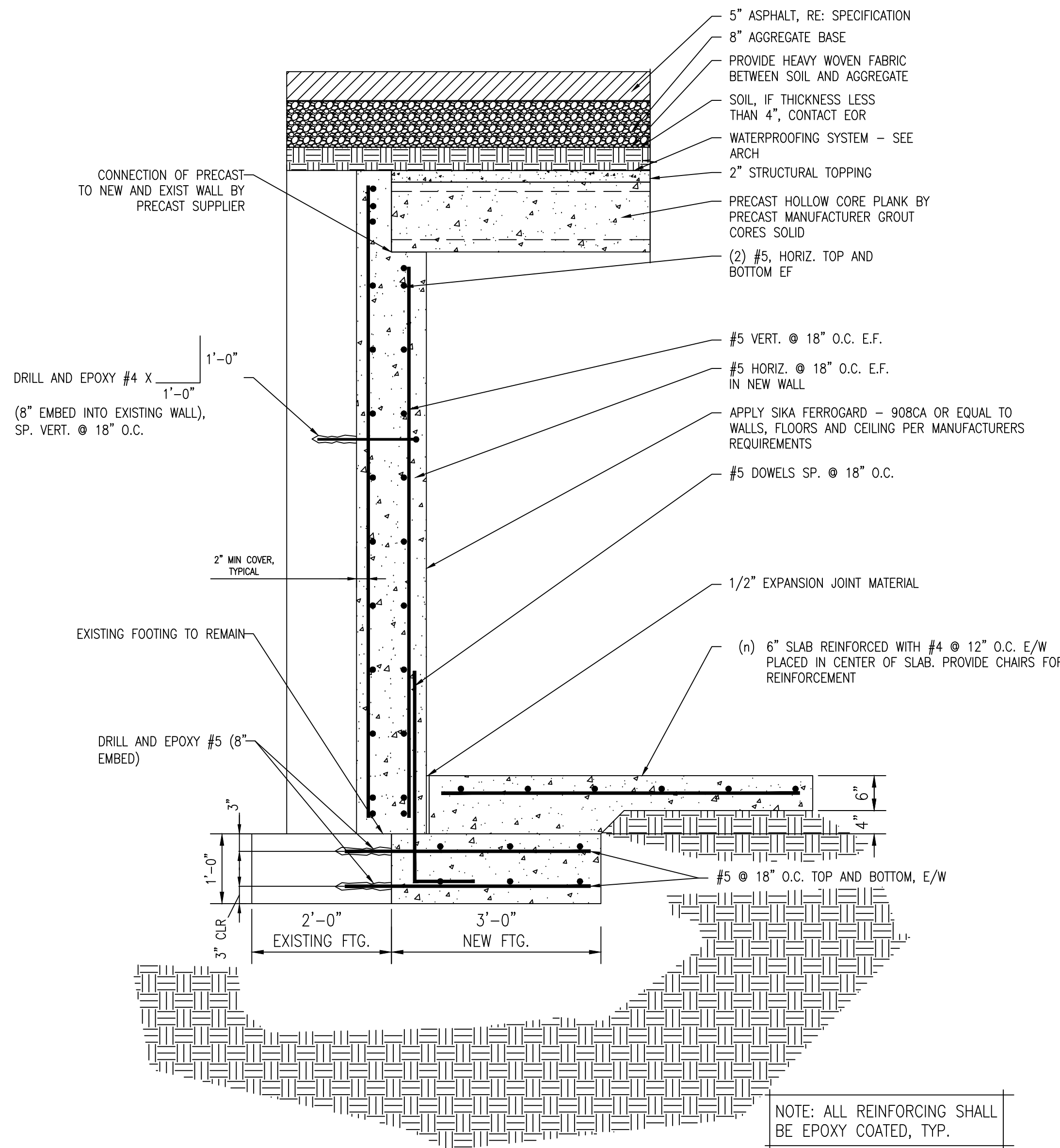


DETAIL 1/2" = 1'-0"

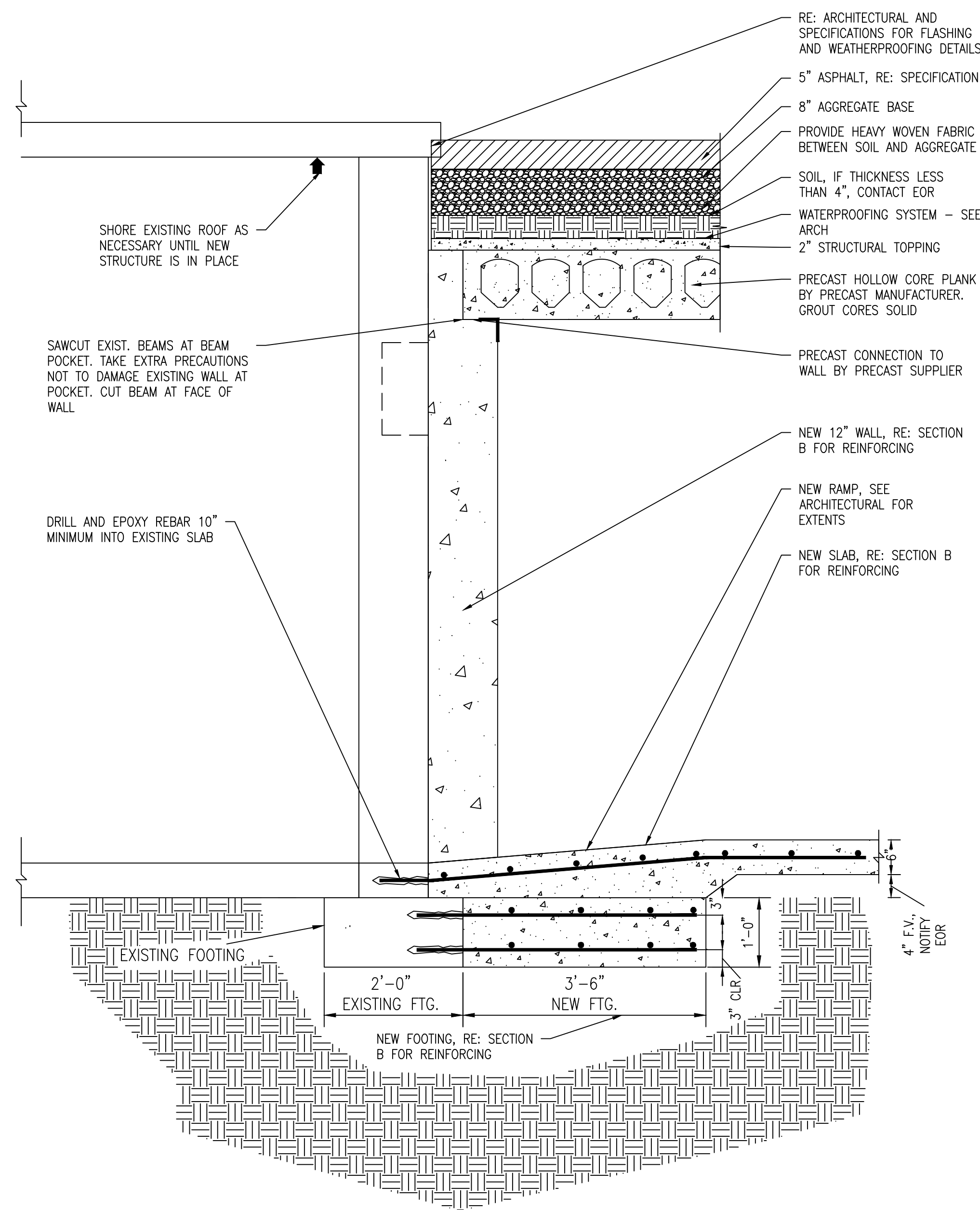
BASE PLATE SCHEDULE						
MARK	LENGTH, L	WIDTH, W	THICKNESS, t	ANCHOR BOLTS	ANCHOR BOLT EMBEDMENT (Le)	REMARKS
BP02	1'-4"	1'-4"	5/8"	3/4"	4 3/4"	ANCHOR BOLTS TO BE HILTI KWIK BOLT T22 ANCHORS



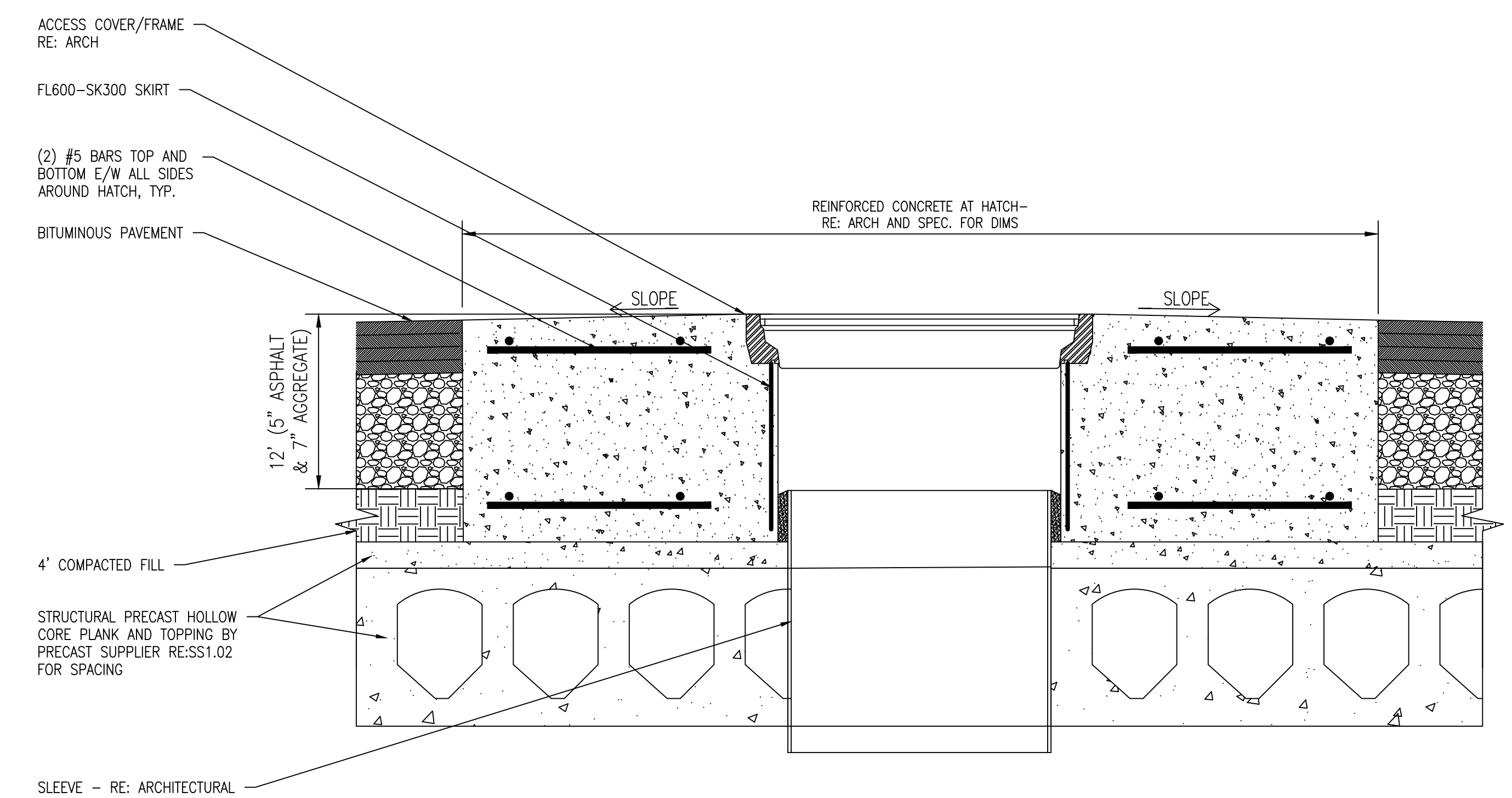
BASEPLATE DETAIL 3/4" = 1'-0"



SECTION B 3/4" = 1'-0"



SECTION C 3/4" = 1'-0"



SECTION D 1-1/2" = 1'-0"

WARNING
LOCATION OF ALL UNDERGROUND UTILITIES SHALL BE VERIFIED BY THE CONTRACTOR CALL BEFORE DIGGING
MINNESOTA ONE-CALL SYSTEM
1-800-252-1166
REQUIRED BY MN STATUTE 210D

No.	REVISION	DATE



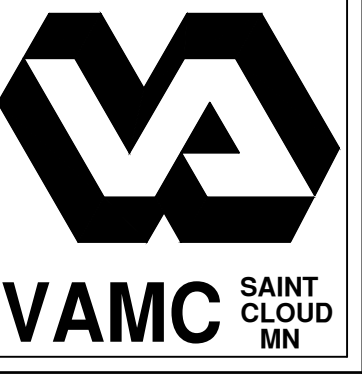
3433 BROADWAY STREET NE,
SUITE 220, MINNEAPOLIS, MN
55413

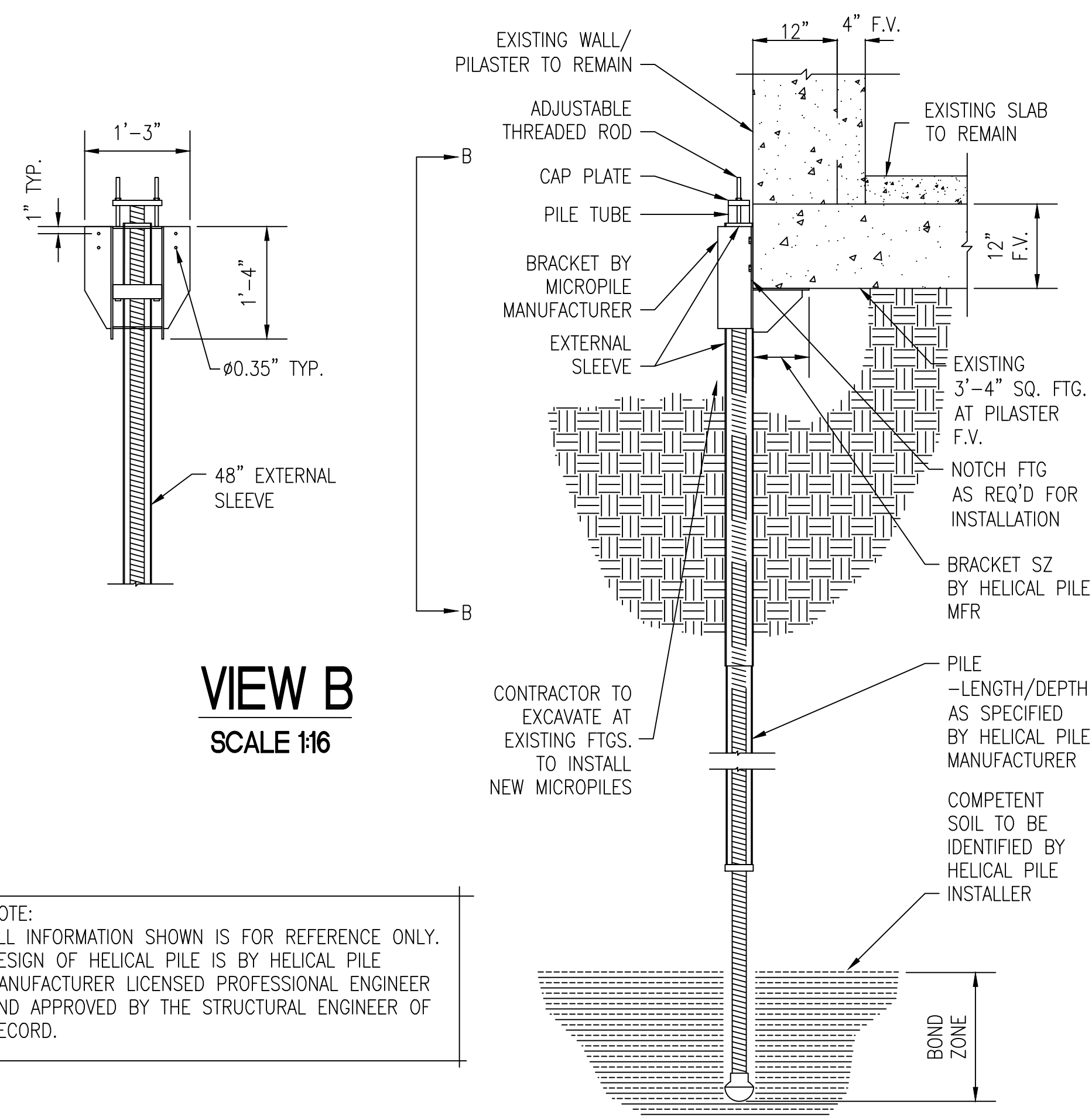


701 Washington Ave North, Suite 200 | Minneapolis, MN 55401 | 612.338.2029

Professional Engineer
I hereby certify that this plan, specification, or report was prepared by me or under my direct supervision and that I am a duly Licensed Professional Engineer under the laws of the State of Minnesota.
Signature: _____
Typed or Printed Name: BRADY L. KRATZIG, P.E.
Date: 10/24/2023 License Number: 5073

APPROVED: SERVICE LINE DIRECTOR	DATE:	APPROVED: INFECTION CONTROL NURSE	DATE:	DRAWING TITLE
				BUILDING 7 DETAILS
APPROVED: GEARS COORDINATOR	DATE:	APPROVED: PATIENT SAFETY	DATE:	PROJECT TITLE
				656-14-247 REPAIR FOUNDATIONS BUILDINGS 4, 7, 9 St. Cloud VA Health Care System Main Campus, St. Cloud, Minnesota
APPROVED: PROJECTS SECTION MANAGER	DATE:	APPROVED: CHIEF OF POLICE	DATE:	PROJECT NO. 230297
				BUILDING No. 7 CHECKED BY SLK DRAWN JMT CAD FILE 2023-0921
APPROVED: DIRECTOR PAGE	DATE:	APPROVED: SAFETY MANAGER	DATE:	LOCATION: VA MEDICAL CENTER ST. CLOUD, MN 56303
				DRAWING NO. SS5.03 DATE 10/18/23

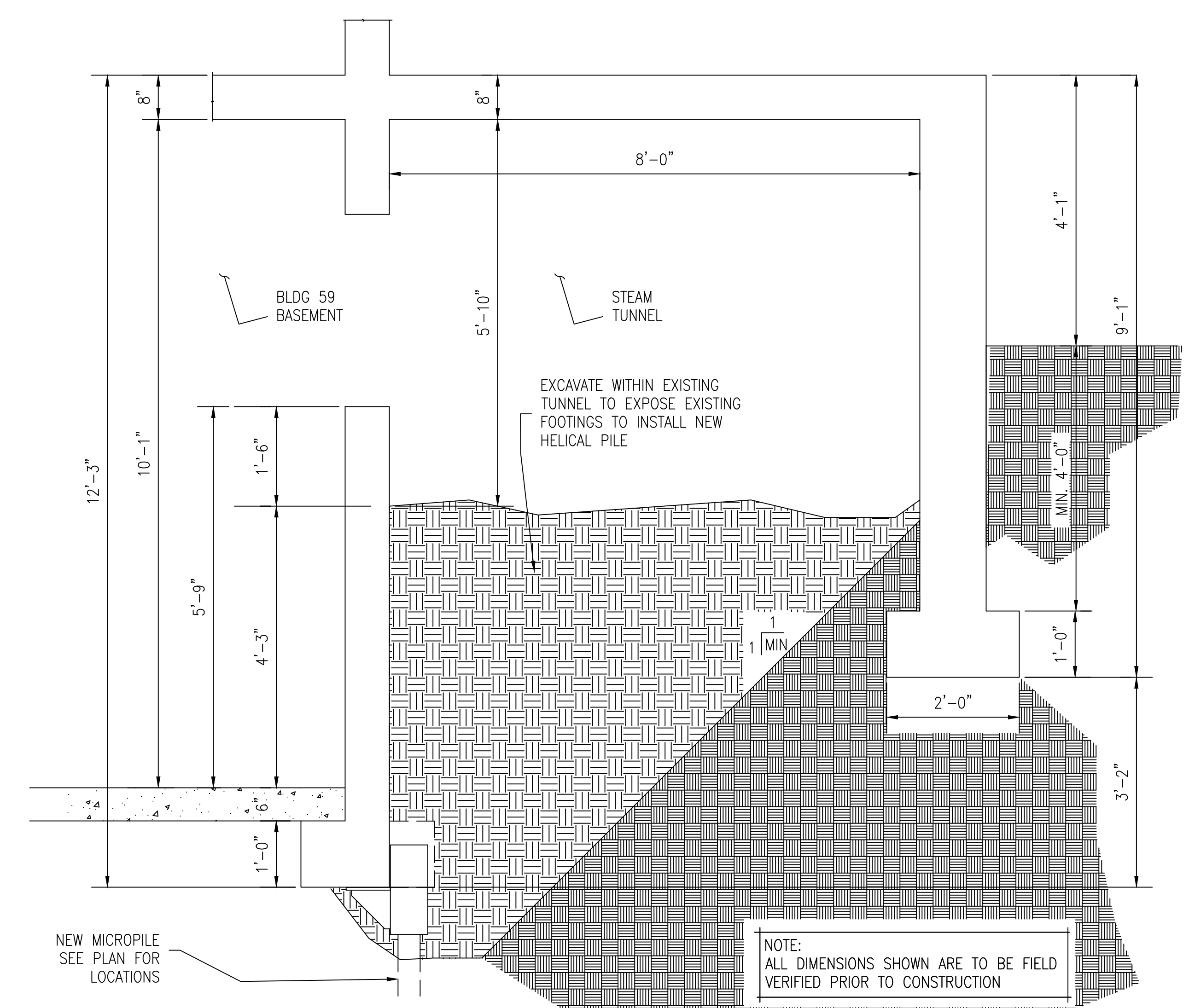




SECTION A
RE: SS1.03
DETAIL AT HELICAL PILES ALONG FOUNDATION

VIEW B
SCALE 1/16

NOTE:
ALL INFORMATION SHOWN IS FOR REFERENCE ONLY.
DESIGN OF HELICAL PILE IS BY HELICAL PILE
MANUFACTURER LICENSED PROFESSIONAL ENGINEER
AND APPROVED BY THE STRUCTURAL ENGINEER OF
RECORD.



SECTION B 3/4" = 1'-0"
EXISTING CONDITIONS ONLY

NOTE:
ALL DIMENSIONS SHOWN ARE TO BE FIELD
VERIFIED PRIOR TO CONSTRUCTION

WARNING
LOCATION OF ALL UNDERGROUND
UTILITIES SHALL BE VERIFIED BY
THE CONTRACTOR
CALL BEFORE DIGGING
MINNESOTA
ONE-CALL SYSTEM
1-800-252-1166
REQUIRED BY
MN STATUTE 216D

No.	REVISION	DATE



3433 BROADWAY STREET NE,
SUITE 220, MINNEAPOLIS, MN
55413

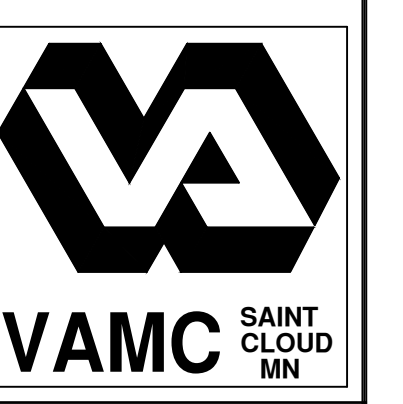


701 Washington Ave North, Suite 200 | Minneapolis, MN 55401 | 612.338.2029

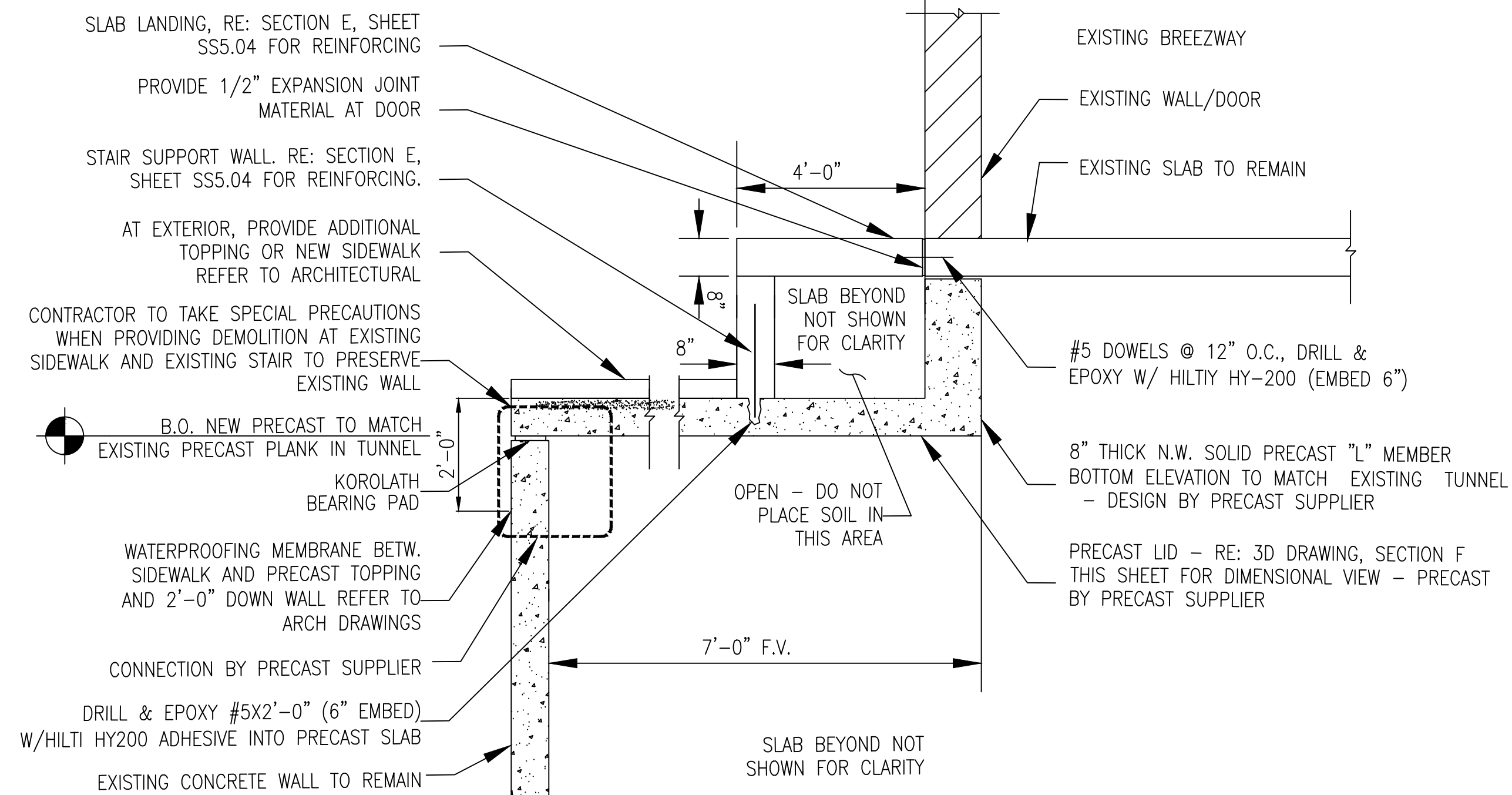
Professional Engineer
I hereby certify that this plan, specification, or report was
prepared by me or under my direct supervision and that I am
a duly Licensed Professional Engineer under the laws of the
state of Minnesota.
Signature: _____
Typed or Printed Name: JESSICA L. KRATZIGER, PE
Date: 10/24/2023 License Number: 30373

APPROVED: SERVICE LINE DIRECTOR	DATE:	APPROVED: INFECTION CONTROL NURSE	DATE:
APPROVED: GEMS COORDINATOR	DATE:	APPROVED: PATIENT SAFETY	DATE:
APPROVED: PROJECTS SECTION MANAGER	DATE:	APPROVED: CHIEF OF POLICE	DATE:
APPROVED: DIRECTOR FMS	DATE:	APPROVED: SAFETY MANAGER	DATE:

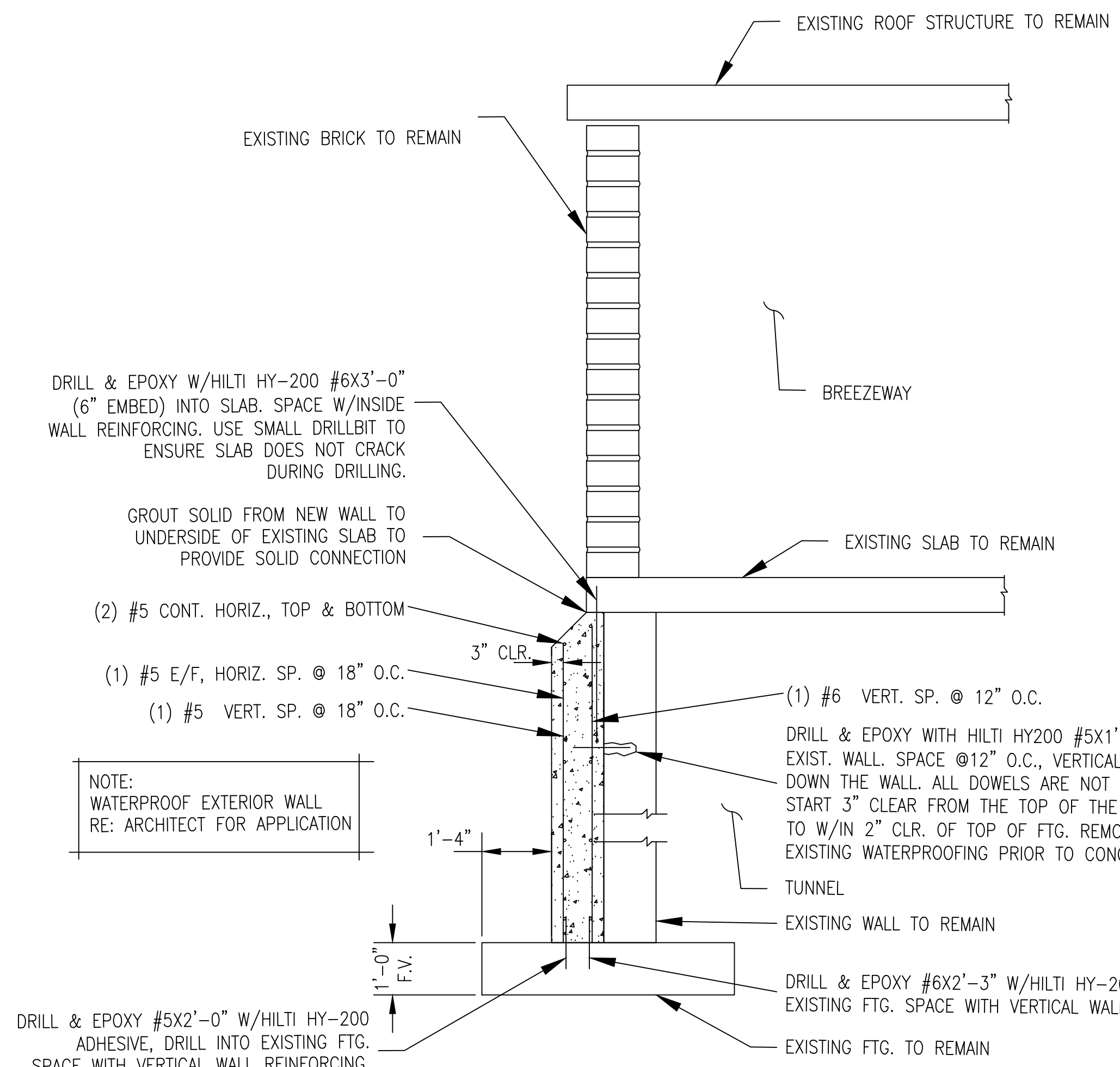
DRAWING TITLE			
BUILDING 59 DETAILS			
PROJECT TITLE	DATE	PROJECT NO.	
656-14-247 REPAIR FOUNDATIONS BUILDINGS 4, 7, 59 St. Cloud VA Health Care System Main Campus, St. Cloud, Minnesota	10/24/2023	230297	
BUILDING NO.	CHECKED BY	DRAWN	CAD FILE
59	SLK	JMT	2023-0921
LOCATION	DRAWING NO.	SHEET NO.	
VA MEDICAL CENTER ST. CLOUD, MN 56303	SS5.04	17 of 18	



NOTE:
STAIR RAILING BY ARCHITECTURAL
- NOT SHOWN FOR CLARITY



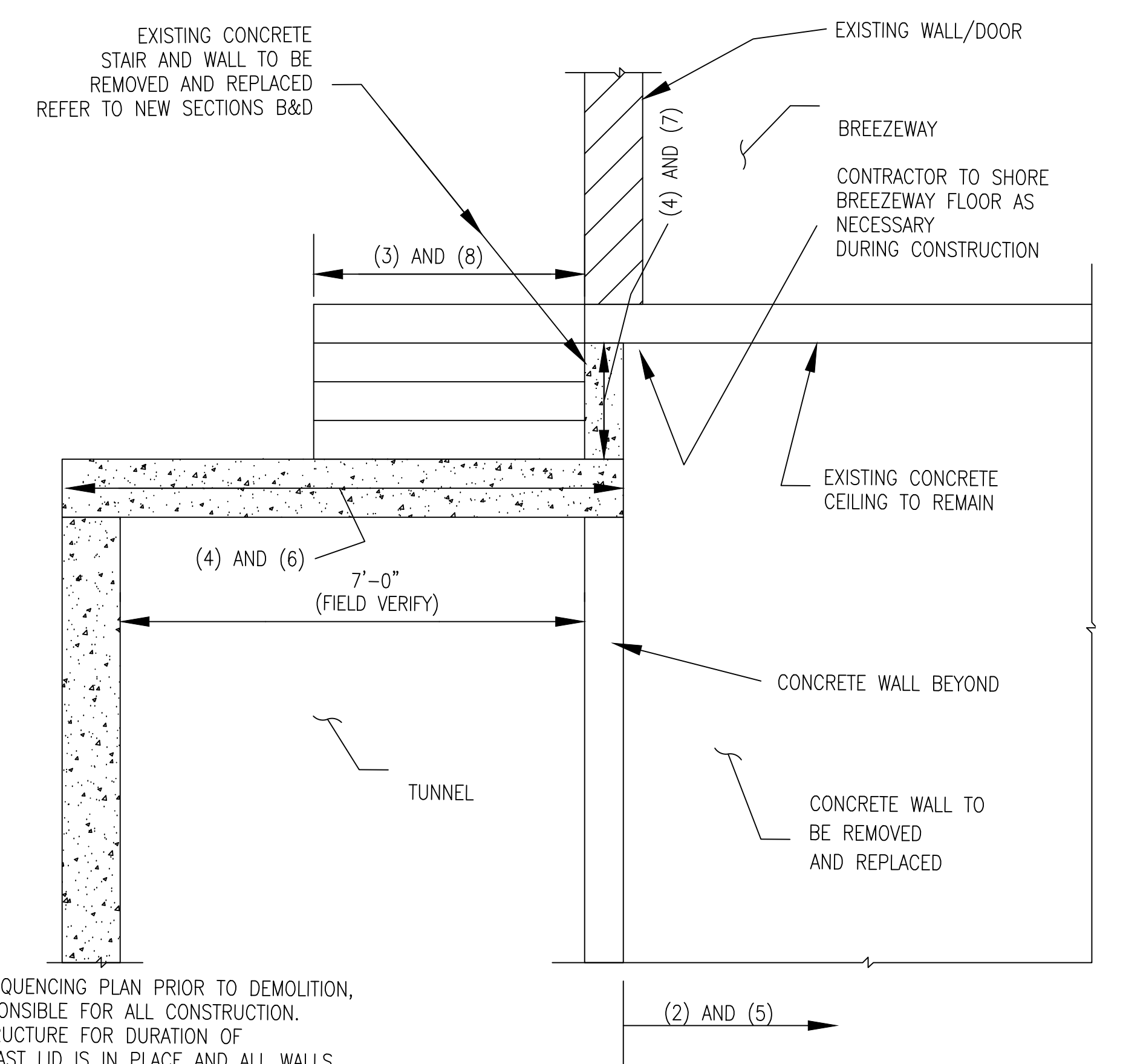
SECTION A 1/2" = 1'-0"
RE: SS1.01



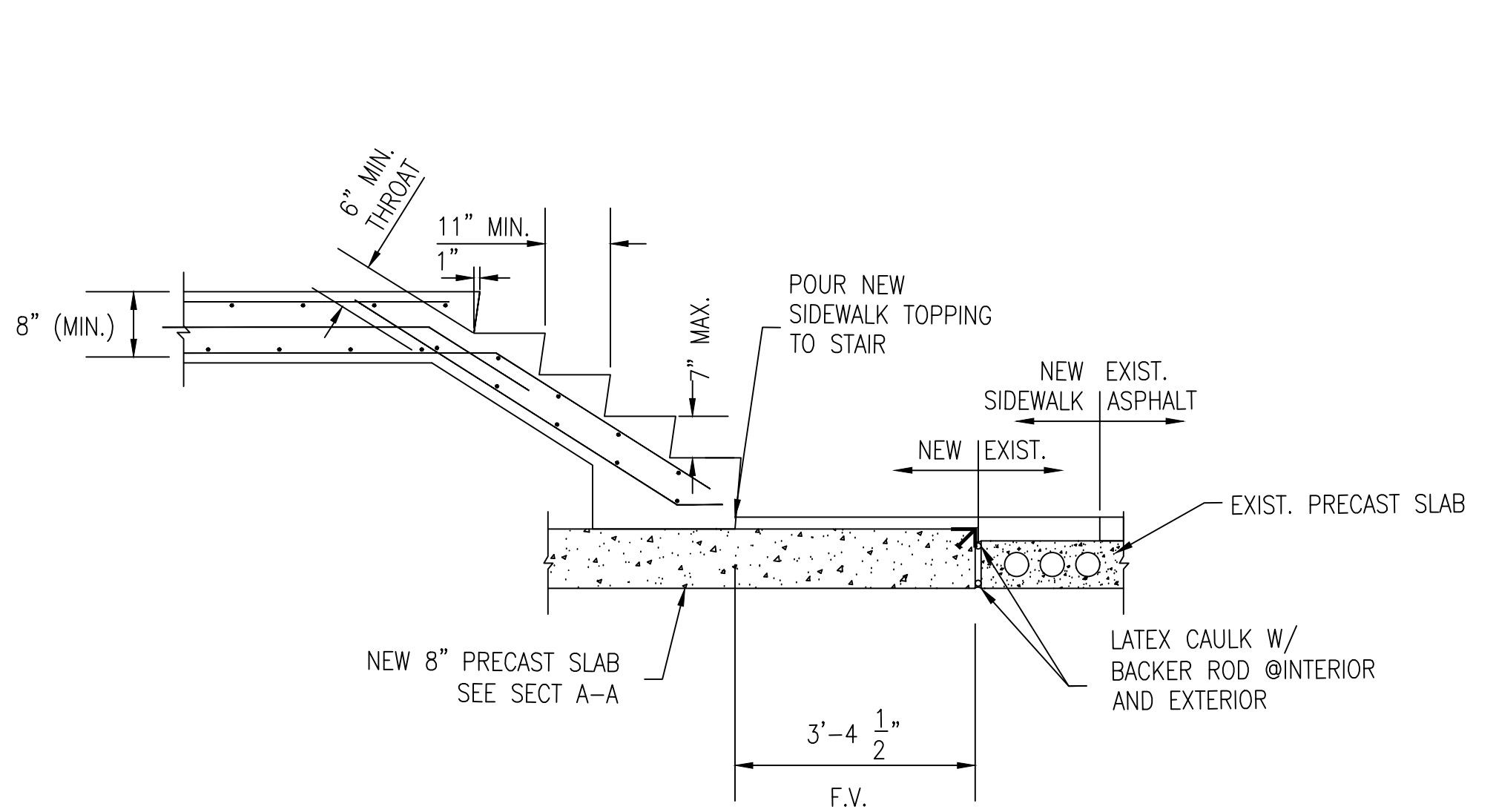
SECTION B AT NEW RETAINING WALL IN TUNNEL 1/2" = 1'-0"
RE: SS1.01

- SEQUENCING FOR DEMOLITION AND CONSTRUCTION
1. SHORE EXISTING STRUCTURE
 2. REMOVE THIS WALL FROM THIS CORNER TO THE PERPENDICULAR WALL - FROM FLOOR TO ROOF. CONTRACTOR TO SHORE ROOF PRIOR TO REMOVAL
 3. REMOVE EXISTING STAIRS
 4. REMOVE EXISTING CONCRETE BEAMS AND WALL ABOVE
 5. INSTALL NEW RETAINING WALL. CONCRETE SHALL BE CURED BEFORE EXISTING OR NEW STRUCTURE CAN BEAR ON WALL
 6. INSTALL (n) 8" FLAT SLAB AND PRECAST BEAMS
 7. INSTALL NEW PRECAST WALL
 8. INSTALL NEW CONCRETE WALL AND STAIRS

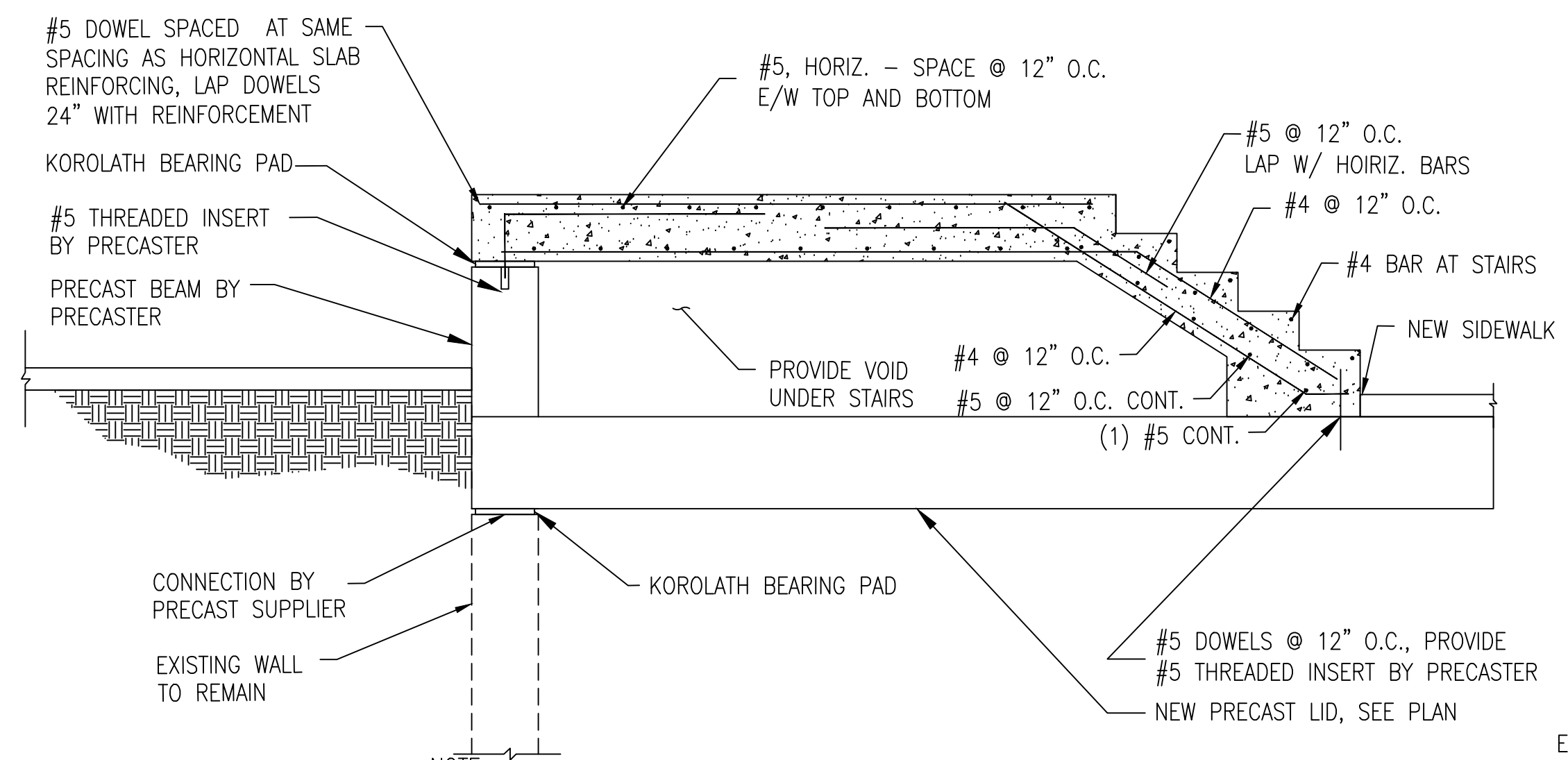
NOTE: CONTRACTOR SHALL REVIEW SEQUENCING PLAN PRIOR TO DEMOLITION, AS CONTRACTOR IS ULTIMATELY RESPONSIBLE FOR ALL CONSTRUCTION. CONTRACTOR TO SHORE EXISTING STRUCTURE FOR DURATION OF CONSTRUCTION PROCESS UNTIL PRECAST LID IS IN PLACE AND ALL WALLS SUPPORTED.



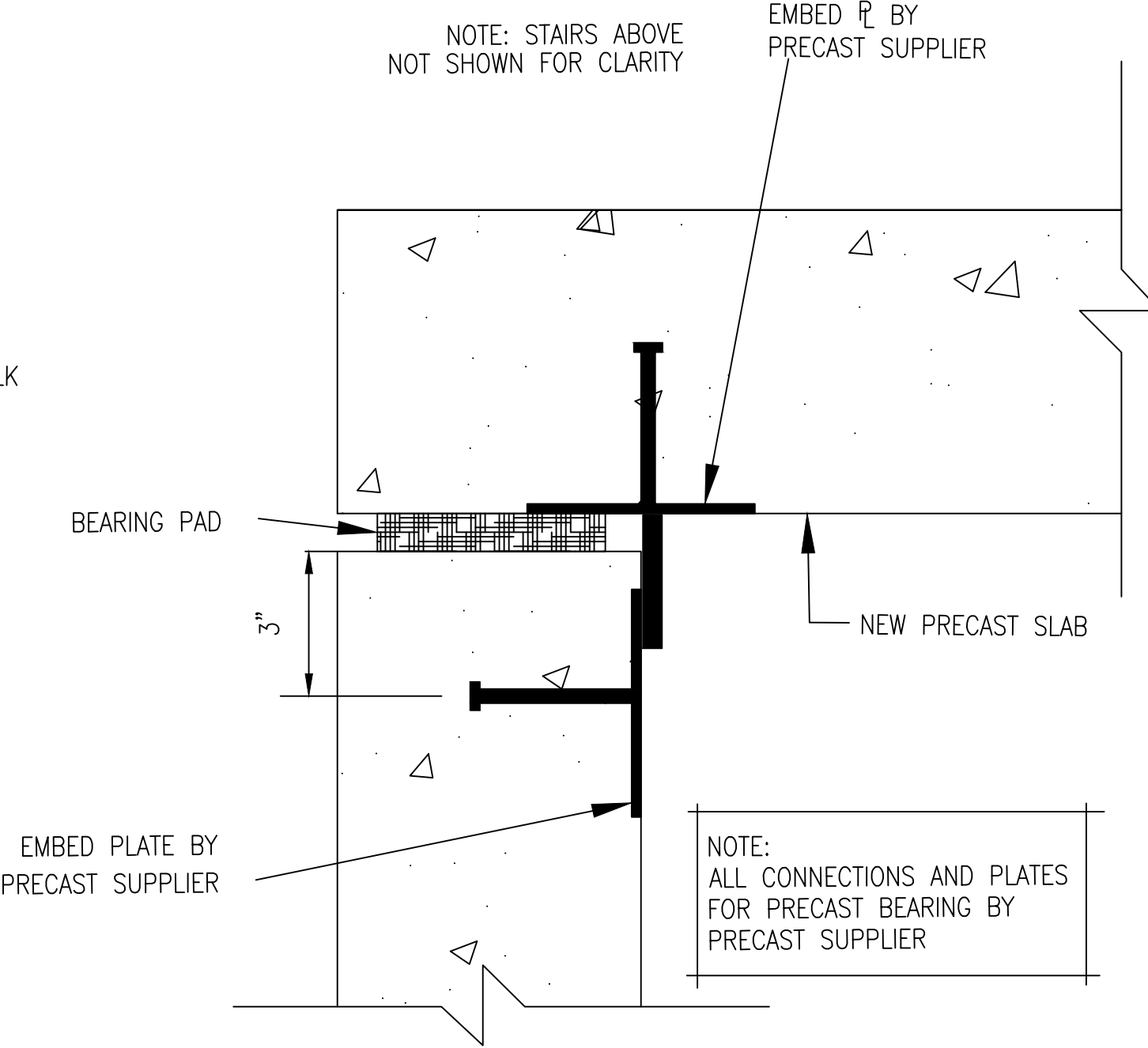
SECTION C 1/2" = 1'-0"
RE: SS1.01 (EXISTING CONDITIONS ONLY)



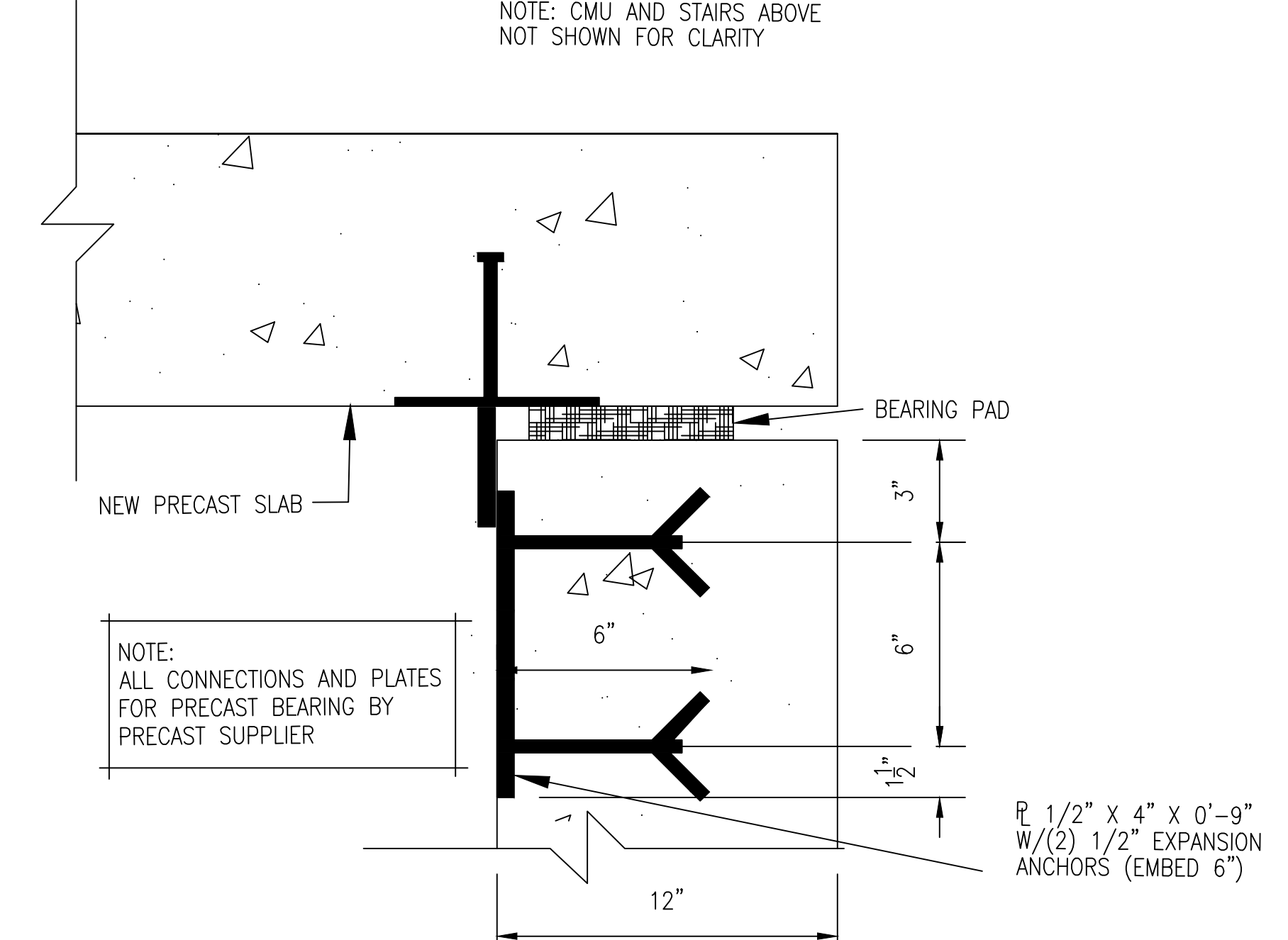
SECTION D 1/2" = 1'-0"
DETAIL OF NEW TO EXISTING JOINT
RE: SS1.01



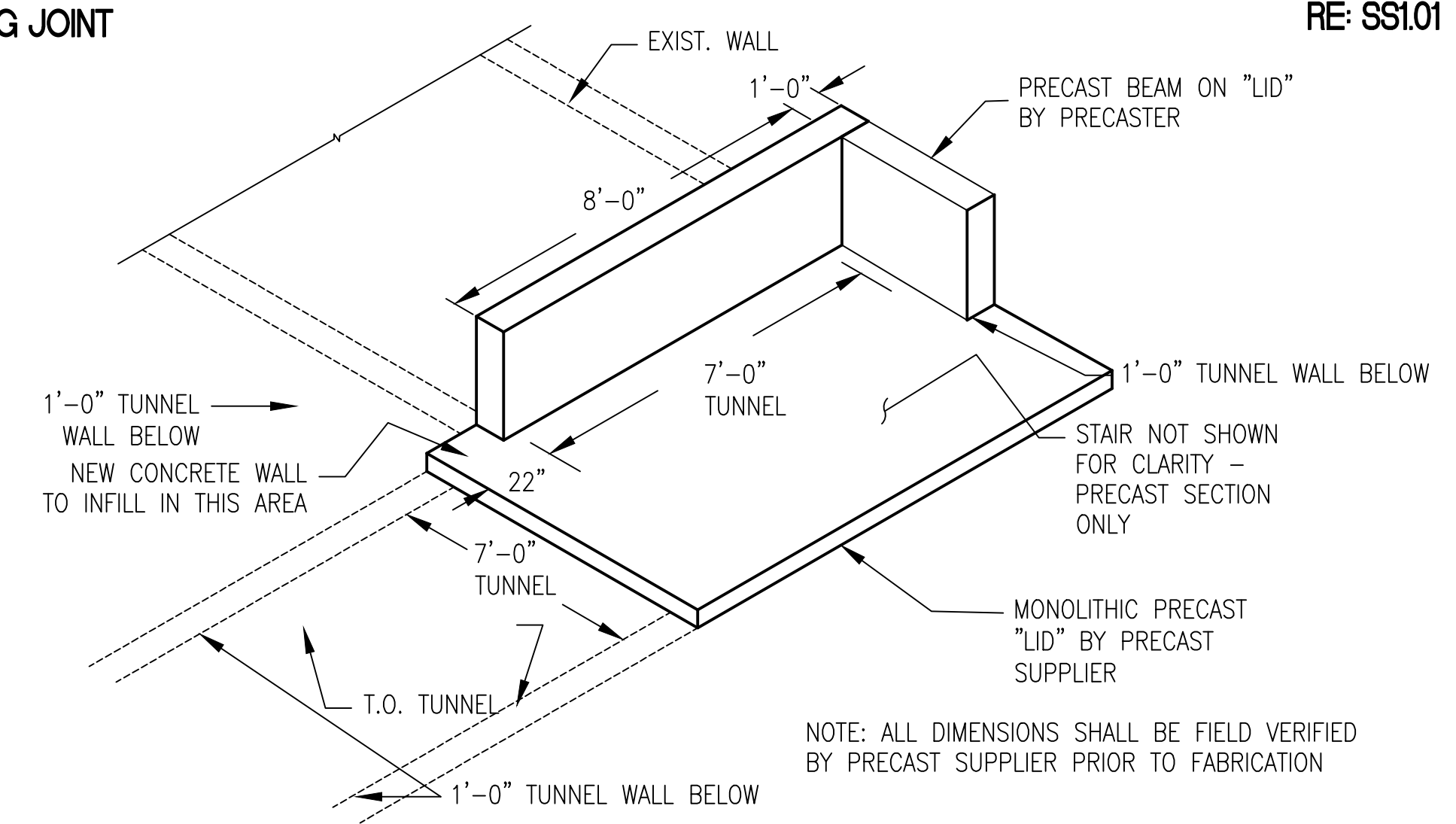
SECTION E 1/2" = 1'-0"
RE: SS1.01



DETAIL A 3" = 1'-0"
RE: SS5.04



DETAIL B 3" = 1'-0"
RE: SS5.04



SECTION F NO SCALE

WARNING
LOCATION OF ALL UNDERGROUND UTILITIES SHALL BE VERIFIED BY THE CONTRACTOR. CALL BEFORE DIGGING.
MINNESOTA ONE-CALL SYSTEM
1-800-252-1166
REQUIRED BY MN STATUTE 216D

NO	REVISION	DATE



3433 BROADWAY STREET NE,
SUITE 220, MINNEAPOLIS, MN
55413



Professional Engineer
I hereby certify that this plan, specification, or report was prepared by me or under my direct supervision and that I am a duly Licensed Professional Engineer under the laws of the State of Minnesota.
Typed or Printed Name: JENNIFER L. KRATZSCH-REBEKA
Date: 10/24/2023 License Number: 30079

APPROVED: SERVICE LINE DIRECTOR	DATE:	APPROVED: INFECTION CONTROL NURSE	DATE:
APPROVED: GEN'S COORDINATOR	DATE:	APPROVED: PATIENT SAFETY	DATE:
APPROVED: PROJECTS SECTION MANAGER	DATE:	APPROVED: CHIEF OF POLICE	DATE:
APPROVED: DIRECTOR FMS	DATE:	APPROVED: SAFETY MANAGER	DATE:

DRAWING TITLE TUNNEL DETAILS		PROJECT TITLE 656-14247 REPAIR FOUNDATIONS BUILDINGS 4, 7, 9 St. Cloud VA Health Care System Main Campus, St. Cloud, Minnesota	DATE 10/24/2023
APPROVED: CHIEF OF STAFF	DATE:	BUILDING NO. TUNNEL	CHECKED BY SLK
APPROVED: MEDICAL CENTER DIRECTOR	DATE:	DRAWN BY JMT	CAD FILE 2023-9021
LOCATION VA MEDICAL CENTER ST. CLOUD, MN 56303		DRAWING NO. SS5.05	DATE 10/18/23

