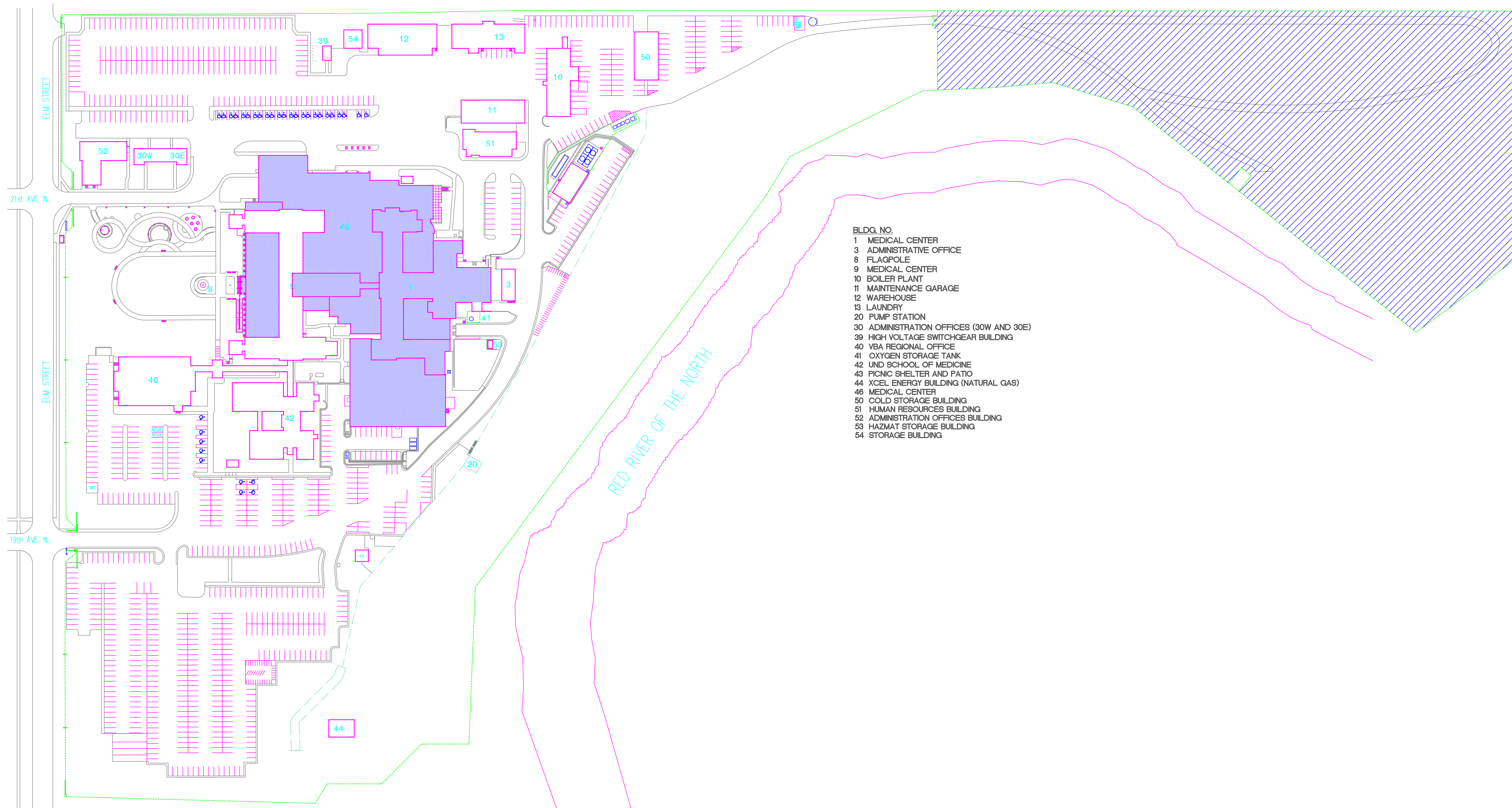


FARGO VA HEALTH CARE SYSTEM FALL PROTECTION

Fargo, North Dakota

Project Number: 437-18-175



ARCHITECTURAL

- A 0.1 COVER PAGE
- A 2.1 FIRST FLOOR ROOF PLAN
- A 2.2 SECOND FLOOR ROOF PLAN
- A 2.3 THIRD FLOOR ROOF PLAN
- A 2.4 FOURTH FLOOR ROOF PLAN
- A 6.0 DETAILS
- A 6.1 DETAILS
- A 6.2 DETAILS

- BLDG. NO.**
- 1 MEDICAL CENTER
 - 3 ADMINISTRATIVE OFFICE
 - 8 FLAGPOLE
 - 9 MEDICAL CENTER
 - 10 BOILER PLANT
 - 11 MAINTENANCE GARAGE
 - 12 WAREHOUSE
 - 13 LAUNDRY
 - 20 PUMP STATION
 - 30 ADMINISTRATION OFFICES (30W AND 30E)
 - 39 HIGH VOLTAGE SWITCHGEAR BUILDING
 - 40 VSA REGIONAL OFFICE
 - 41 OXYGEN STORAGE TANK
 - 42 UND SCHOOL OF MEDICINE
 - 43 PICNIC SHELTER AND PATIO
 - 44 XCEL ENERGY BUILDING (NATURAL GAS)
 - 46 MEDICAL CENTER
 - 50 COLD STORAGE BUILDING
 - 51 HUMAN RESOURCES BUILDING
 - 52 ADMINISTRATION OFFICES BUILDING
 - 53 HAZMAT STORAGE BUILDING
 - 54 STORAGE BUILDING

KEY TO SITE PLAN

- CONTRACTOR STAGING AREA. SHARED WITH VA AND OTHER CONTRACTORS.
- CONSTRUCTION AREA

SITE PLAN
1"=80'-0"

GENERAL NOTES

- THE FOLLOWING WILL APPLY, UNLESS OTHERWISE NOTED.
1. CONTRACTORS ARE TO COORDINATE ALL WORK WITH THE PROJECT ENGINEER AND OTHER CONTRACTORS WITH CONCURRENT PROJECTS ON SITE.
 2. ALL DIMENSIONS ON DRAWINGS ARE APPROXIMATE; DRAWINGS ARE NOT TO BE SCALED. IT IS THE RESPONSIBILITY OF THE CONTRACTOR TO VERIFY ALL FIELD CONDITIONS AND PHYSICAL DIMENSIONS THAT INFLUENCE THE CONSTRUCTION AREA.
 3. IT IS RECOMMENDED THAT CONTRACTORS VISIT THE PROPOSED CONSTRUCTION SITE PRIOR TO SUBMITTING THEIR BIDS AND THEY ARE ENCOURAGED TO DO SO.
 4. CONTRACTOR SHALL ADHERE STRICTLY TO STATE AND FEDERAL OCCUPATIONAL SAFETY AND HEALTH ADMINISTRATION (OSHA) STANDARDS.
 5. CONTRACTOR SHALL PARK ONLY IN DESIGNATED PARKING AREAS.
 6. CONTRACTOR IS RESPONSIBLE FOR THE SAFEGUARDING OF THEIR TOOLS AND EQUIPMENT. ALL TOOLS AND EQUIPMENT ARE NOT TO BE LEFT UNATTENDED AND ARE TO BE SECURED AT ALL TIMES WHEN THE CONTRACTOR IS NOT PRESENT, OR THE CONSTRUCTION SITE IS NOT SUPERVISED BY THE CONTRACTOR.
 7. ALL VA PROPERTY IS TO BE SAFEGUARDED FROM DAMAGE. ANY DAMAGED VA PROPERTY IS TO BE RESTORED TO ORIGINAL CONDITION PRIOR TO DAMAGE OR REPLACED COMPLETELY. THIS INCLUDES INSTALLATION, LABOR, AND PROCUREMENT EXPENSES.
 8. ALL DEMOLISHED MATERIAL BECOMES THE PROPERTY AND THE RESPONSIBILITY OF THE CONTRACTOR WITH THE EXCEPTION OF SPECIFIED ITEMS DESIGNATED EITHER IN THE PLANS OR VERBALLY REQUESTED BY THE PROJECT ENGINEER TO BE RETAINED BY THE VA.
 9. OFFSITE DISPOSAL OF THE DEMOLISHED ITEMS IS THE RESPONSIBILITY OF THE CONTRACTOR.
 10. CLEAN ALL DEBRIS FROM CONSTRUCTION SITE TO THE SATISFACTION OF THE PROJECT ENGINEER.
 11. ACCESS TO ALL BUILDINGS AND PARKING AREAS MUST BE MAINTAINED THROUGHOUT THE PROJECT.
 12. ANY LOCATES WILL BE THE RESPONSIBILITY OF THE CONTRACTOR. VA PERSONNEL WILL AID THE CONTRACTOR WHEN EVER POSSIBLE.
 13. CONTRACTOR WILL FOLLOW ALL COVID GUIDELINES ESTABLISHED BY THE VA.
 14. CONTRACTOR SHOULD EXAMINE SITE CONDITIONS PRIOR TO STARTING ANY WORK. ANY DAMAGE TO THE VA FACILITY OR ADVERSE SITE CONDITIONS SHOULD BE DOCUMENTED AND BROUGHT TO THE ATTENTION OF VA PERSONNEL PRIOR TO WORK STARTING OR THE CONTRACTOR MAY BE LIABLE FOR THE REPAIR OF THESE CONDITIONS AFTER WORK HAS BEGUN.
 15. THE APPROVED PROJECT SUPERVISOR WILL BE OSHA 30 TRAINED. ALL PERSONNEL THAT ARE CONDUCTING WORK ON THE PROJECT WILL BE OSHA 10 TRAINED.

C:\Users\jva\OneDrive\Documents\Temp\Arch\437-18-175\Cover.dwg Oct 14, 2020 8:34am

Revisions	Date



Dept. of Veterans Affairs
Health Care System
2101 Elm Street North
Fargo, ND 58102


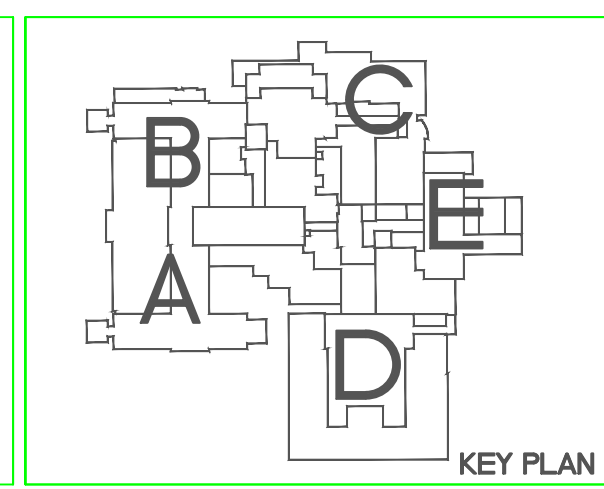


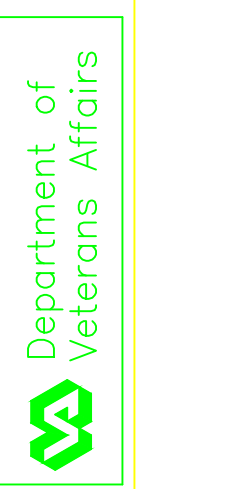
IMAGE GROUP INC.
403 CENTER AVENUE, SUITE 300
MOORHEAD, MN 56560

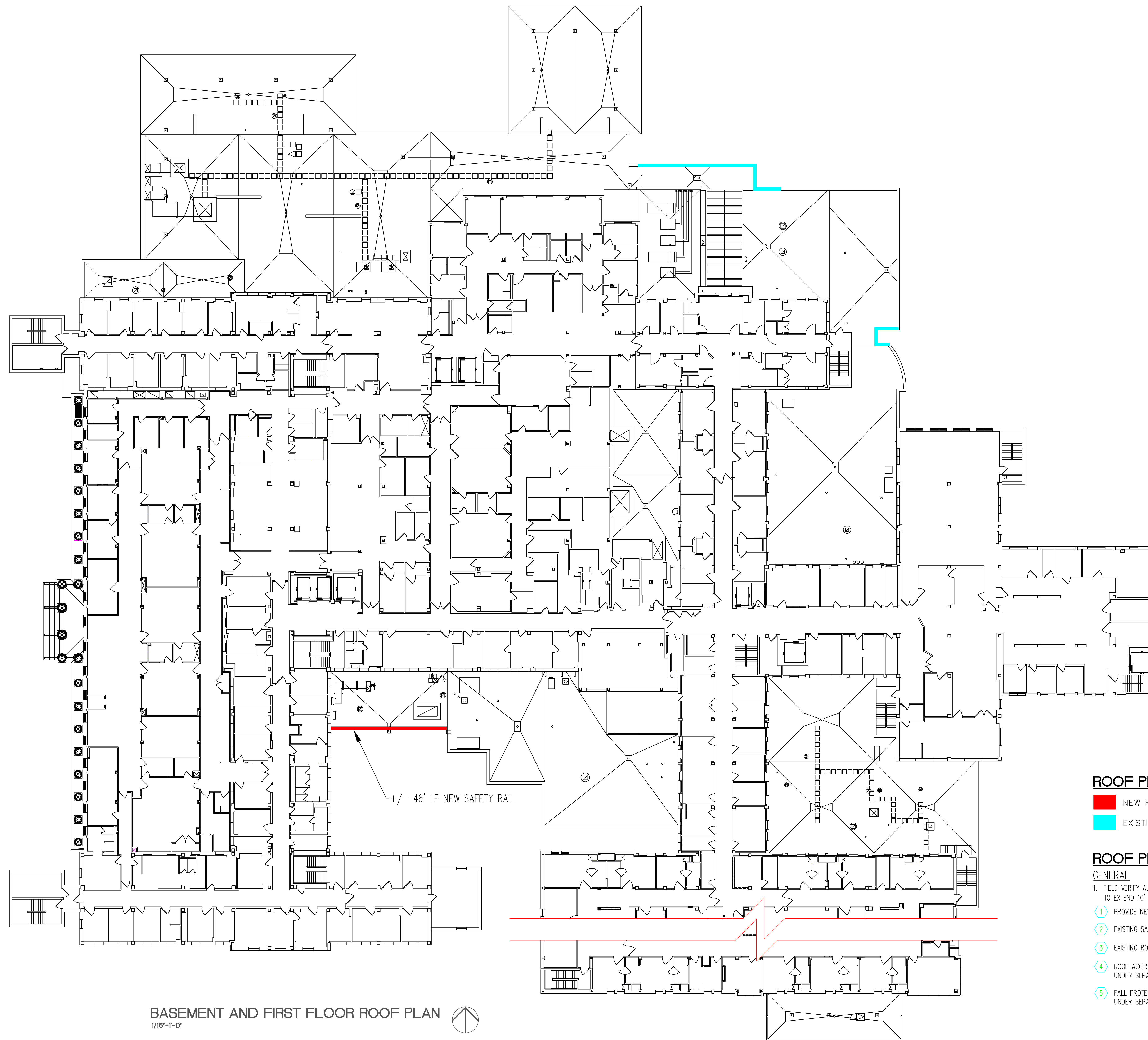
I hereby certify that this plan specification, or report was prepared by me or under my direct supervision, and that I am duly Registered Architect under the laws of the State of North Dakota.

Date _____ Reg. No. _____



Drawing Title COVER SHEET		Project Title FALL PROTECTION		Date MAY 3, 2018
Scale 1"=80'-0"				
VA Project No. 437-18-175	Contract No. VA263-P-1217 VA263-C-	Designed By RM	Checked By RM	Drawn By MO
Building No. 1, 9, 46	AutoCAD File Name Cover.dwg	Location FARGO VA HEALTH CARE SYSTEM FARGO, ND		Drawing No. A 0.1
				Dwg. 1.1 of 8





BASEMENT AND FIRST FLOOR ROOF PLAN
1/16"=1'-0"

ROOF PLAN LEGEND

- NEW RAILING. SEE A 6.1 FOR DETAILS
- EXISTING RAILING

ROOF PLAN NOTES

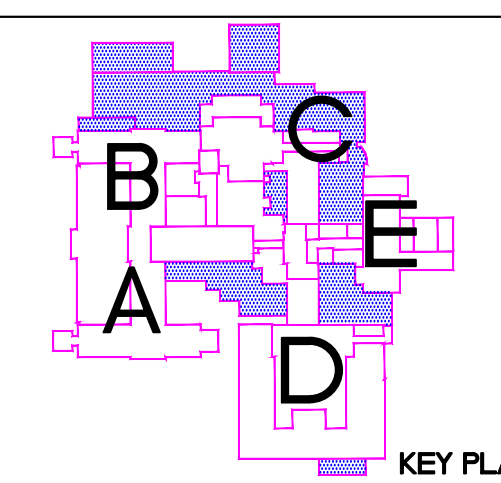
GENERAL

1. FIELD VERIFY ALL DIMENSIONS. NEW GUARDRAILS ARE TO EXTEND 10'-0" FROM ROOF EQUIPMENT.
- ① PROVIDE NEW SAFETY GUARDRAIL.
- ② EXISTING SAFETY GUARDRAIL REMAINS.
- ③ EXISTING ROOF ACCESS STAIR/LADDER REMAINS.
- ④ ROOF ACCESS STAIR/LADDER TO BE INSTALLED UNDER SEPARATE CONTRACT.
- ⑤ FALL PROTECTION STANCHION TO BE INSTALLED UNDER SEPARATE CONTRACT.

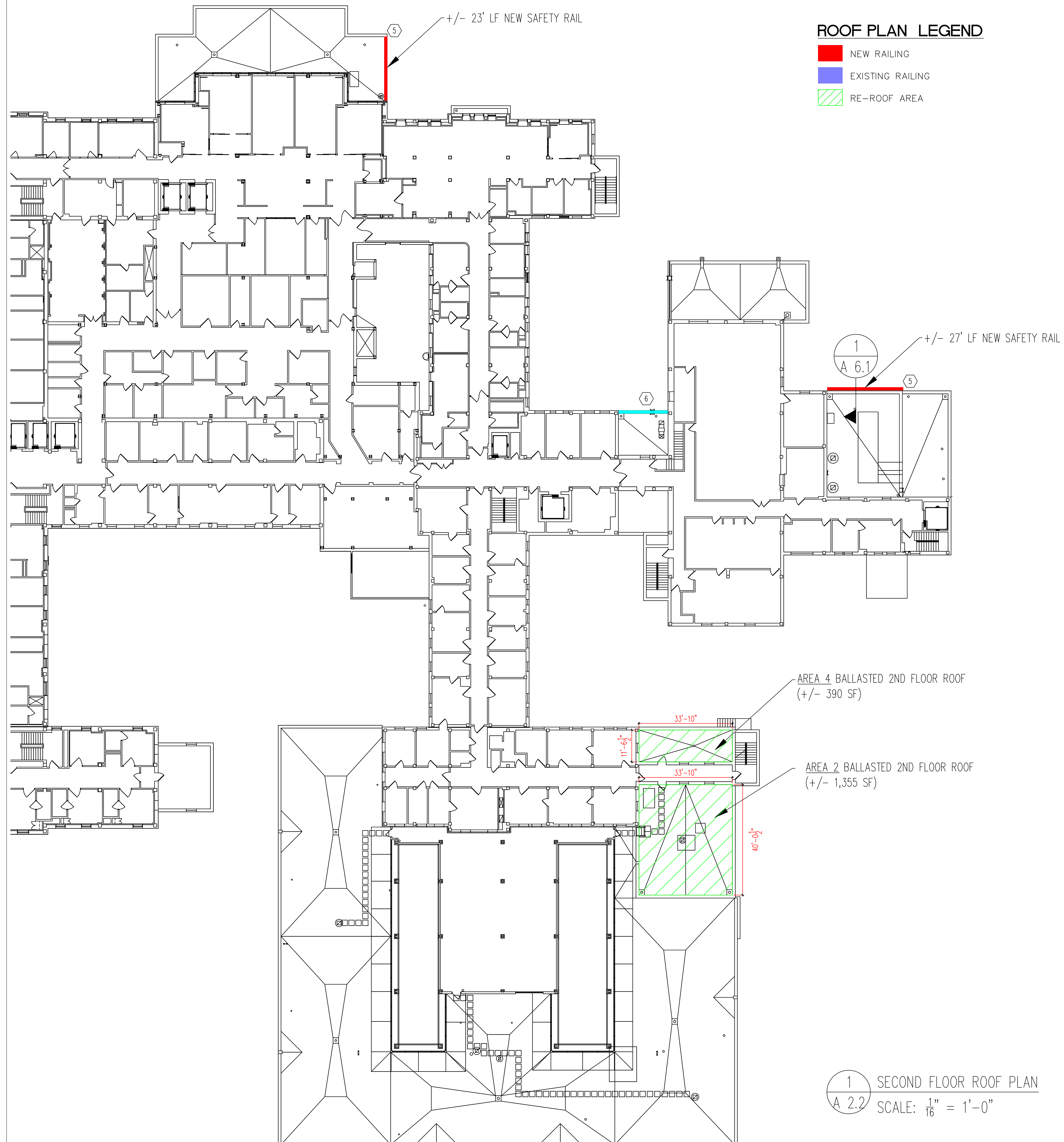
Revisions	Date



Dept. of Veterans Affairs
Health Care System
2101 Elm Street North
Fargo, ND 58102



Drawing Title BASEMENT AND FIRST FLOOR ROOF PLAN		Project Title FALL PROTECTION		Date FEBRUARY 07, 2020
VA Project No. 437-18-175	Contract No. VA263-P-1217 VA263-C-	Designed By TT	Checked By TT	Scale 1/16"=1'-0"
Building No. 1, 9, 46	AutoCAD File Name	Drawn By MS	Drawing No. A 2.1	Department of Veterans Affairs
Location FARGO VA HEALTH CARE SYSTEM FARGO, ND		Dwg. 2 of 8		

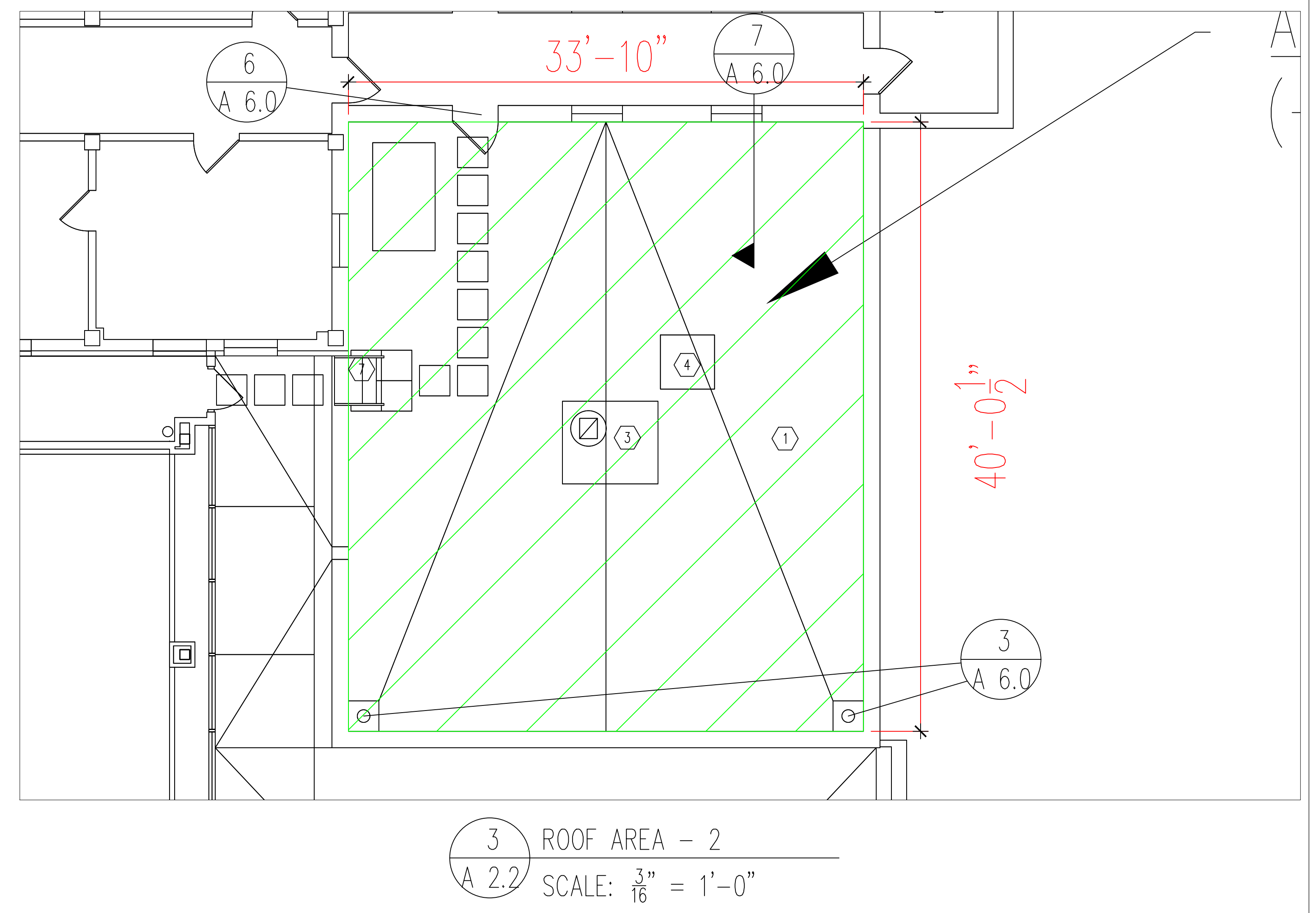
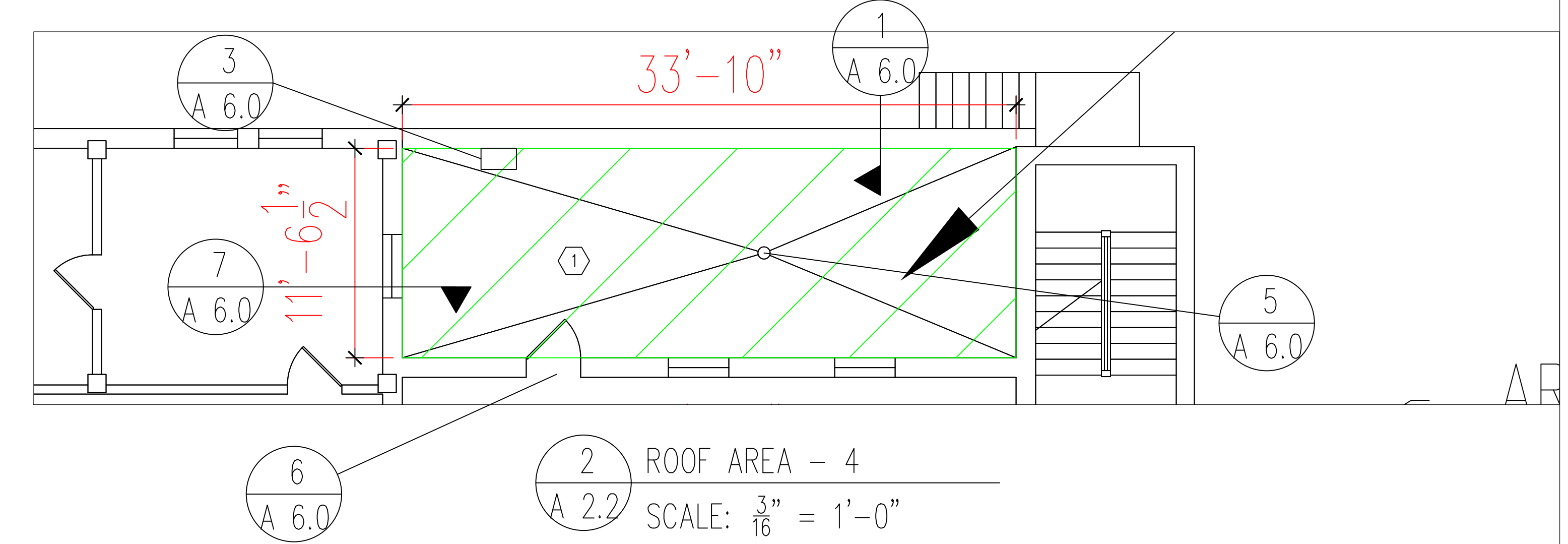


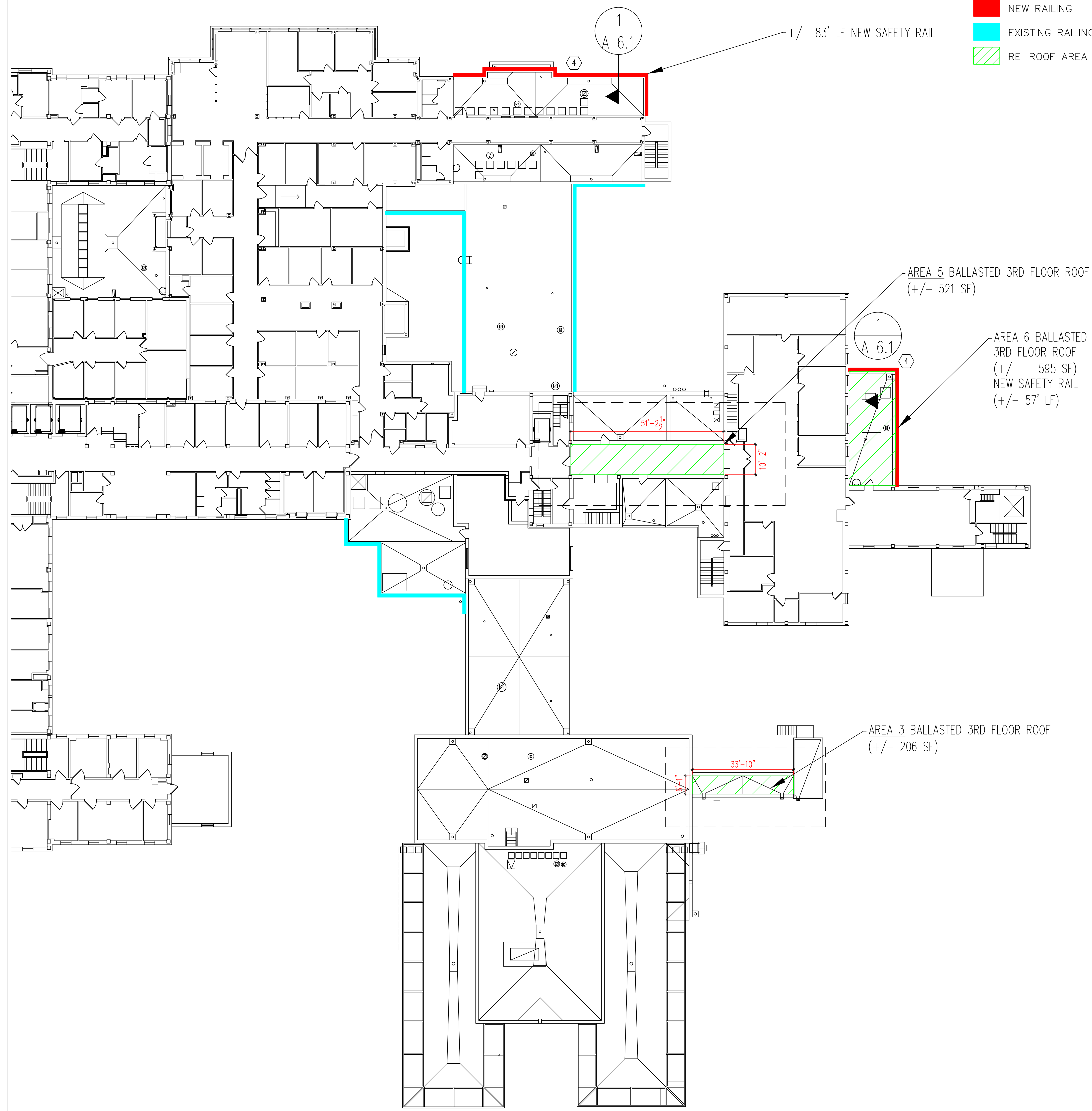
ROOF PLAN NOTES

- FIELD VERIFY ALL DIMENSIONS. NEW GUARDRAILS ARE TO EXTEND 10'-0" FROM ROOF EQUIPMENT.
- ALL ROOF DRAINS SHALL RECEIVE 8" X 8" ROOF SUMPS
- ALL ROOF PENETRATIONS SHALL HAVE A MINIMUM OF 8" FLASHING HEIGHTS
- ALL HVAC DISCONNECTIONS/RECONNECTIONS WILL BE THE RESPONSIBILITY THE CONTRACTOR.
- ALL ELECTRICAL DISCONNECTIONS/RECONNECTIONS WILL BE THE RESPONSIBILITY THE CONTRACTOR.
- CONTRACTOR WILL NOTIFY OWNER OF SHUT DOWNS A MINIMUM OF 72 HOURS IN ADVANCE.
- CONTRACTOR SHALL PROVIDE NECESSARY OVER FLOW SCUPPERS IF ONE IS NOT CURRENTLY PRESENT.
- CONTRACTOR TO PROVIDE INSULATION DRAWING FOR APPROVAL PRIOR TO INSTALLATION.
- ALL SURFACES WILL BE DRY PRIOR TO THE INSTALLATION OF ROOFING MATERIALS
- CONTRACTOR MAY BE EXPECTED TO WORK AFTER NORMAL BUSINESS HOURS OR ON WEEKENDS.
- CONTRACTOR WILL BE RESPONSIBLE FOR ENSURING CONSTRUCTION DEBRIS IS PROPERLY DISPOSED OF.
- ENSURE DECK IS PROPERLY PREPARED IN ORDER TO MEET ROOFING MANUFACTURERS REQUIREMENTS.

CONSTRUCTION NOTES

- TEAR OFF EXISTING ROOF DOWN TO CONCRETE DECK. CONTRACTOR WILL TAKE PICTURES OF THE BARE CONCRETE DECK AND PROVIDE THEM TO OWNER FOR HISTORICAL PURPOSES.
- INSTALL NEW COUNTER-FLASHING, EDGE METAL WHERE APPLICABLE.
- RAISE UNIT HEIGHT TO A MINIMUM OF 8" TO MEET FLASHING REQUIREMENTS.
- DEMOLISH APPLIANCE AND REPAIR ROOF.
- PROVIDE NEW SAFETY GUARDRAIL.
- EXISTING SAFETY GUARDRAIL REMAINS.
- EXISTING ROOF ACCESS STAIR/LADDER REMAINS.





ROOF PLAN LEGEND

- NEW RAILING
- EXISTING RAILING
- RE-ROOF AREA

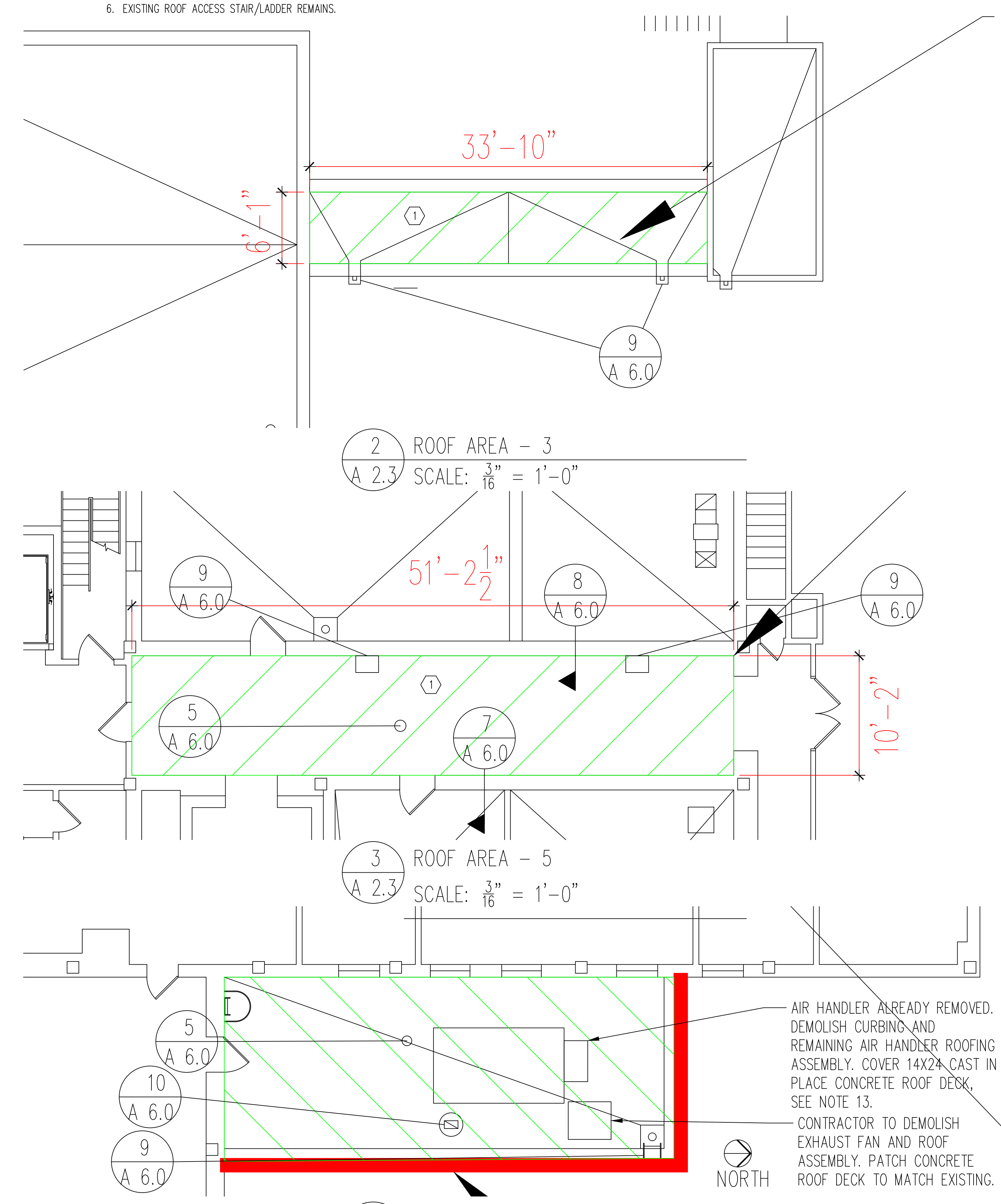
1 THIRD FLOOR ROOF PLAN
A 2.3 SCALE: $\frac{1}{16}'' = 1'-0''$

ROOF PLAN NOTES

1. FIELD VERIFY ALL DIMENSIONS. NEW GUARDRAILS ARE TO EXTEND 10'-0" FROM ROOF EQUIPMENT.
2. ALL ROOF DRAINS SHALL RECEIVE 8' X 8' ROOF SUMPS
3. ALL ROOF PENETRATIONS SHALL HAVE A MINIMUM OF 8" FLASHING HEIGHTS
4. ALL HVAC DISCONNECTIONS/RECONNECTIONS WILL BE THE RESPONSIBILITY THE CONTRACTOR.
5. ALL ELECTRICAL DISCONNECTIONS/RECONNECTIONS WILL BE THE RESPONSIBILITY THE CONTRACTOR.
6. CONTRACTOR WILL NOTIFY OWNER OF SHUT DOWNS A MINIMUM OF 72 HOURS IN ADVANCE.
7. CONTRACTOR SHALL PROVIDE NECESSARY OVER FLOW SCUPPERS IF ONE IS NOT CURRENTLY PRESENT.
8. CONTRACTOR TO PROVIDE INSULATION DRAWING FOR APPROVAL PRIOR TO INSTALLATION.
9. ALL SURFACES WILL BE DRY PRIOR TO THE INSTALLATION OF ROOFING MATERIALS
10. CONTRACTOR MAY BE EXPECTED TO WORK AFTER NORMAL BUSINESS HOURS OR ON WEEKENDS.
11. CONTRACTOR WILL BE RESPONSIBLE FOR ENSURING CONSTRUCTION DEBRIS IS PROPERLY DISPOSED OF.
12. ENSURE DECK IS PROPERLY PREPARED IN ORDER TO MEET ROOFING MANUFACTURERS REQUIREMENTS.
13. COVER ROOF PENETRATION HOLES USING A $\frac{3}{8}''$ THICK GALVANIZED STEEL PLATE WITH 4" BEARING AROUND THE PERIMETER OF THE HOLE. EACH PLATE CAN BE ANCHORED WITH 4- $\frac{1}{4}''$ DIAMETER SIMPSON "TITEN-HD" SCREW ANCHORS THAT ARE 2" AWAY FROM THE EDGE OF THE HOLE.

CONSTRUCTION NOTES

1. TEAR OFF EXISTING ROOF DOWN TO CONCRETE DECK. CONTRACTOR WILL TAKE PICTURES OF THE BARE CONCRETE DECK AND PROVIDE THEM TO OWNER FOR HISTORICAL PURPOSES.
2. DISCONNECT AND MOVE SATELLITE DISHES. INSTALL MINERAL CAP SHEET AS PAD FOR ALL SATELLITE DISH LOCATIONS; NOT FLOOD/GRAVEL. MOVE DISH BACK TO ORIGINAL POSITION AND RECONNECT. NOTIFY OWNER 72 HOURS PRIOR TO DISCONNECTING DISHES.
3. INSTALL NEW COUNTER-FLASHING, EDGE METAL WHERE APPLICABLE.
4. PROVIDE NEW SAFETY GUARDRAIL.
5. EXISTING SAFETY GUARDRAIL REMAINS.
6. EXISTING ROOF ACCESS STAIR/LADDER REMAINS.

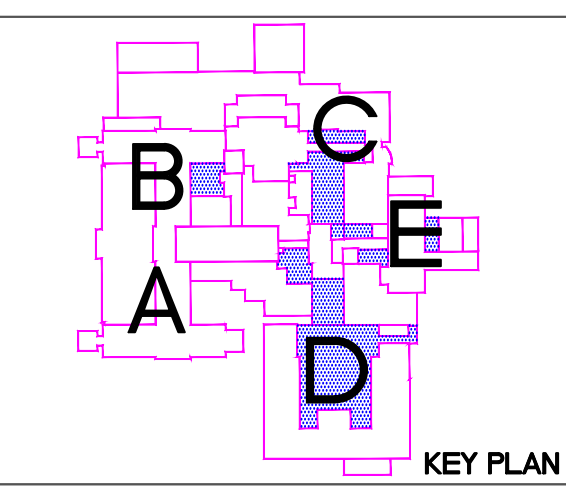


4 ROOF AREA - 6
A 2.3 SCALE: $\frac{3}{16}'' = 1'-0''$

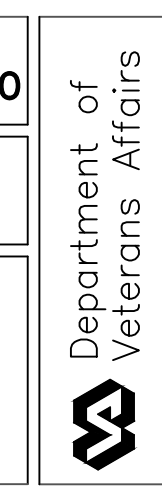
AIR HANDLER ALREADY REMOVED. DEMOLISH CURBING AND REMAINING AIR HANDLER ROOFING ASSEMBLY. COVER 14X24" CAST IN PLACE CONCRETE ROOF DECK. SEE NOTE 13.
CONTRACTOR TO DEMOLISH EXHAUST FAN AND ROOF ASSEMBLY. PATCH CONCRETE ROOF DECK TO MATCH EXISTING.

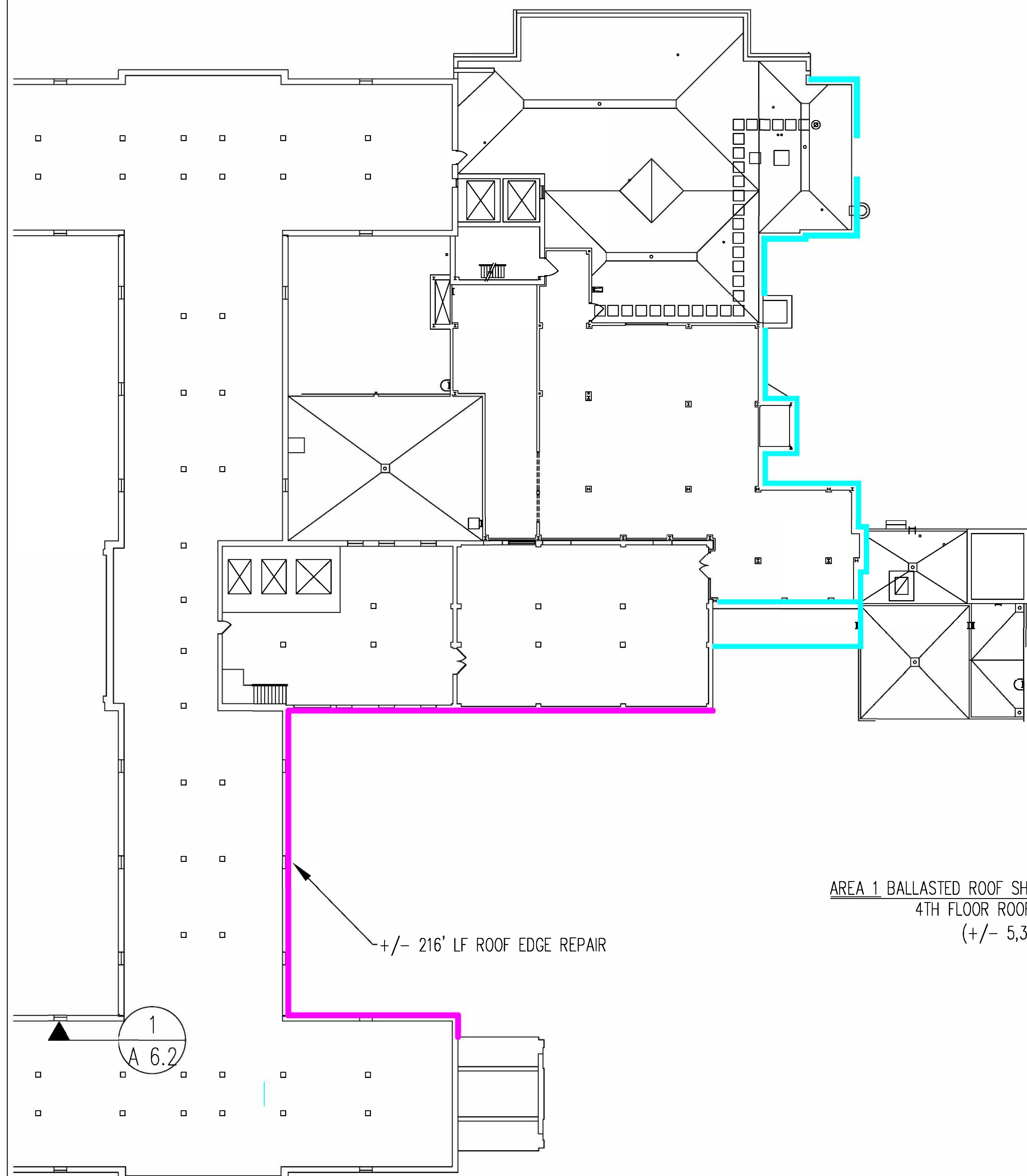
Revisions	Date

VA Dept. of Veterans Affairs
Health Care System
2101 Elm Street North
Fargo, ND 58102



Drawing Title THIRD FLOOR ROOF PLAN		Project Title FALL PROTECTION		Date FEBRUARY 07, 2020
VA Project No. 437-18-175	Contract No. VA263-P-1217 VA263-C-	Designed By TT	Checked By TT	Drawn By MS
Building No. 1, 9, 46	AutoCAD File Name	Location FARGO VA HEALTH CARE SYSTEM FARGO, ND		Drawing No. A 2.3
				Dwg. 4 of 8





ROOF PLAN LEGEND

- NEW RAILING
- EXISTING RAILING
- RE-ROOF AREA
- REPAIR ROOF EDGE

ROOF PLAN NOTES

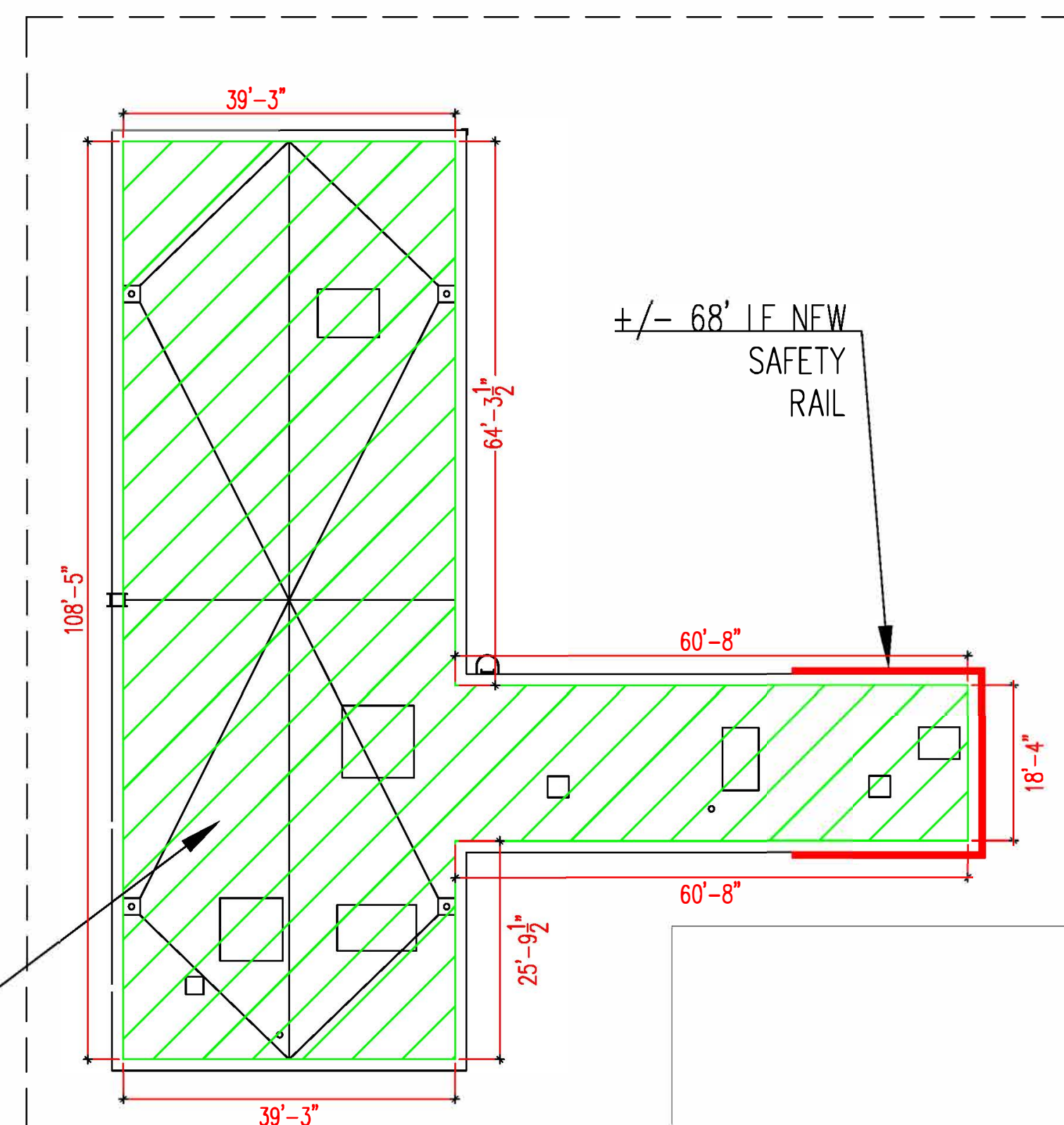
GENERAL

1. FIELD VERIFY ALL DIMENSIONS. NEW GUARDRAILS ARE TO EXTEND 10'-0" FROM ROOF EQUIPMENT.
2. ALL ROOF DRAINS SHALL RECEIVE 8' X 8" ROOF SUMP.
3. ALL ROOF PENETRATIONS SHALL HAVE A MINIMUM OF 8" FLASHING HEIGHTS.
4. ALL HVAC DISCONNECTIONS/RECONNECTIONS WILL BE THE RESPONSIBILITY THE CONTRACTOR.
5. ALL ELECTRICAL DISCONNECTIONS/RECONNECTIONS WILL BE THE RESPONSIBILITY THE CONTRACTOR.
6. CONTRACTOR WILL NOTIFY OWNER OF SHUT DOWNS A MINIMUM OF 72 HOURS IN ADVANCE.
7. CONTRACTOR SHALL PROVIDE NECESSARY OVER FLOW SCUPPERS IF ONE IS NOT CURRENTLY PRESENT.
8. CONTRACTOR TO PROVIDE INSULATION DRAWING FOR APPROVAL PRIOR TO INSTALLATION.
9. ALL SURFACES WILL BE DRY PRIOR TO THE INSTALLATION OF ROOFING MATERIALS.
10. CONTRACTOR MAY BE EXPECTED TO WORK AFTER NORMAL BUSINESS HOURS OR ON WEEKENDS.
11. CONTRACTOR WILL BE RESPONSIBLE FOR ENSURING CONSTRUCTION DEBRIS IS PROPERLY DISPOSED OF.

CONSTRUCTION NOTES

1. TEAR OFF EXISTING ROOF DOWN TO CONCRETE DECK. CONTRACTOR WILL TAKE PICTURES OF THE BARE CONCRETE DECK AND PROVIDE THEM TO OWNER FOR HISTORICAL PURPOSES.
2. DISCONNECT AND MOVE SATELLITE DISHES. INSTALL WALKING PADS TO AND AT ALL SATELLITE DISH LOCATIONS; MOVE DISH BACK TO ORIGINAL POSITION AND RECONNECT. NOTIFY OWNER 72 HOURS PRIOR TO DISCONNECTING DISHES.
3. INSTALL NEW COUNTER-FLASHING, EDGE METAL WHERE APPLICABLE.
4. RAISE UNIT HEIGHT TO A MINIMUM OF 8" TO MEET FLASHING REQUIREMENTS.
5. PROVIDE NEW SAFETY GUARDRAIL.
6. EXISTING SAFETY GUARDRAIL REMAINS.
7. EXISTING ROOF ACCESS STAIR/LADDER REMAINS.

AREA 1 BALLASTED ROOF SHOW ON
4TH FLOOR ROOF PLAN
(+/- 5,368 SF)

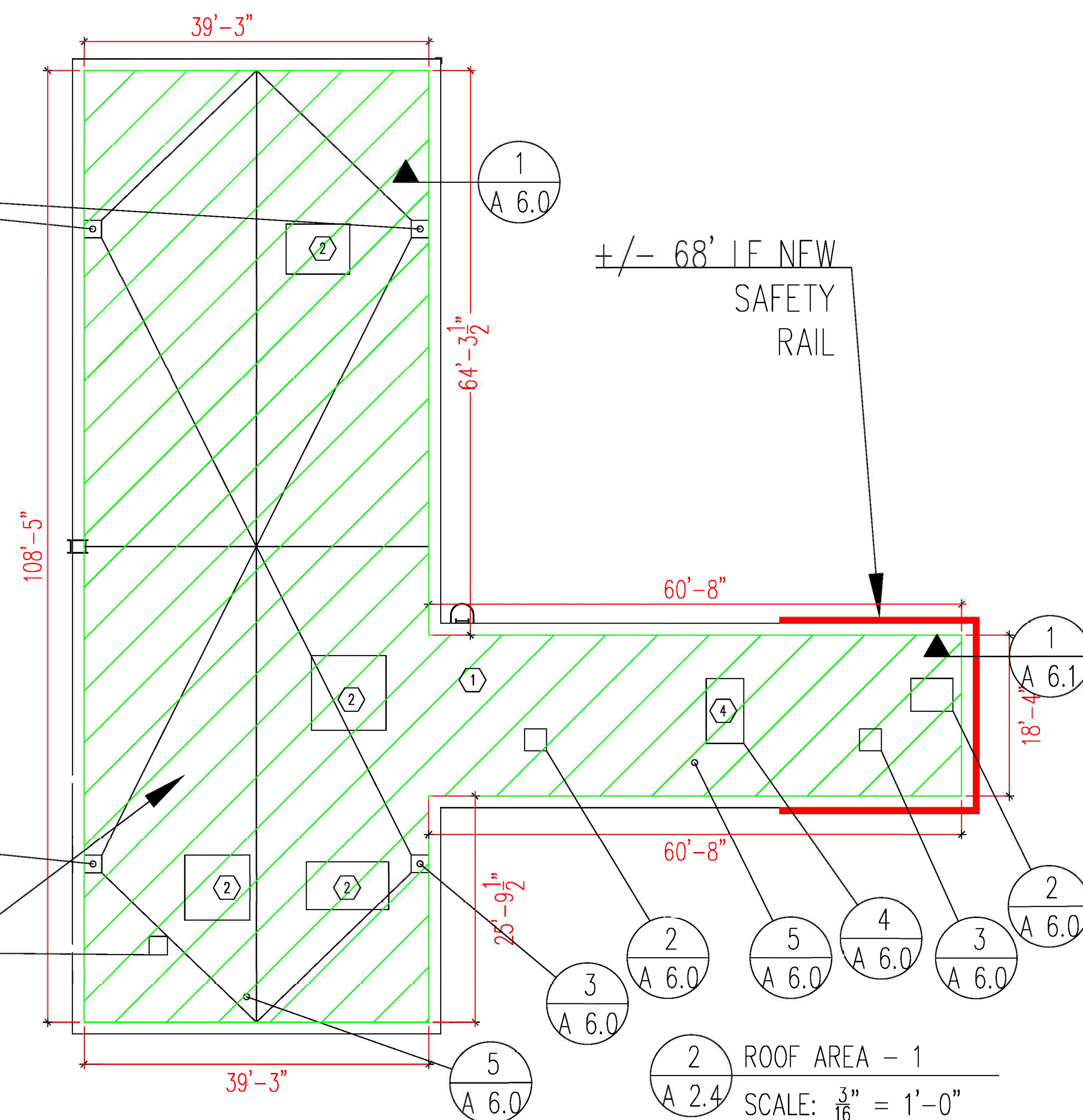


3
A 6.0

1
A 6.0

+/- 216' LF ROOF EDGE REPAIR

1
A 6.2



3
A 6.0

2
A 6.0

1
A 6.1

2
A 6.0

5
A 6.0

4
A 6.0

3
A 6.0

2
A 6.0

2 ROOF AREA - 1
A 2.4 SCALE: 3/16" = 1'-0"

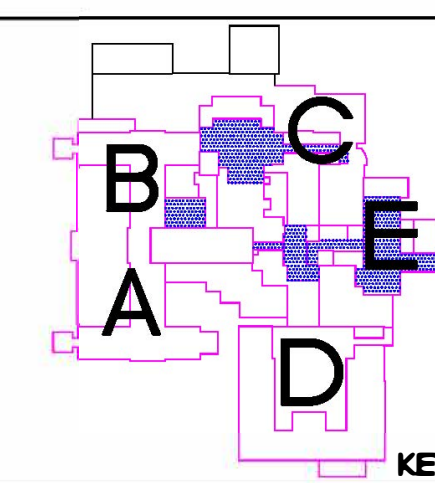
W ON
PLAN

1 FOURTH FLOOR ROOF PLAN
A 2.4 SCALE: 1/16" = 1'-0"

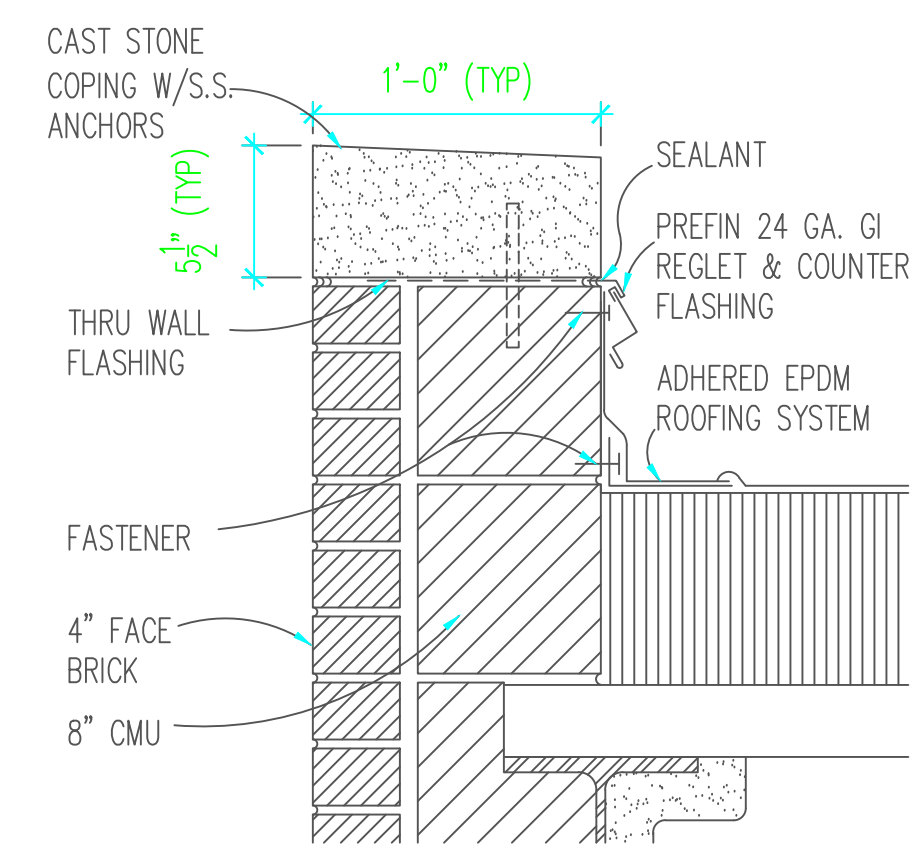
Revisions	Date



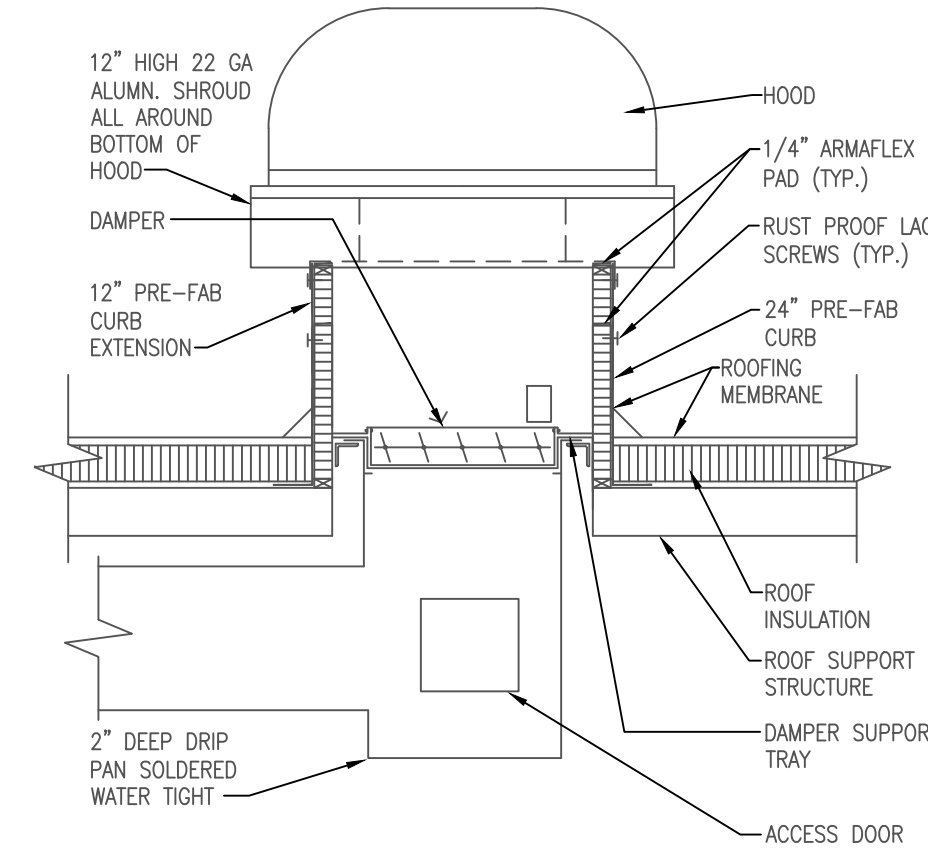
Dept. of Veterans Affairs
Health Care System
2101 Elm Street North
Fargo, ND 58102



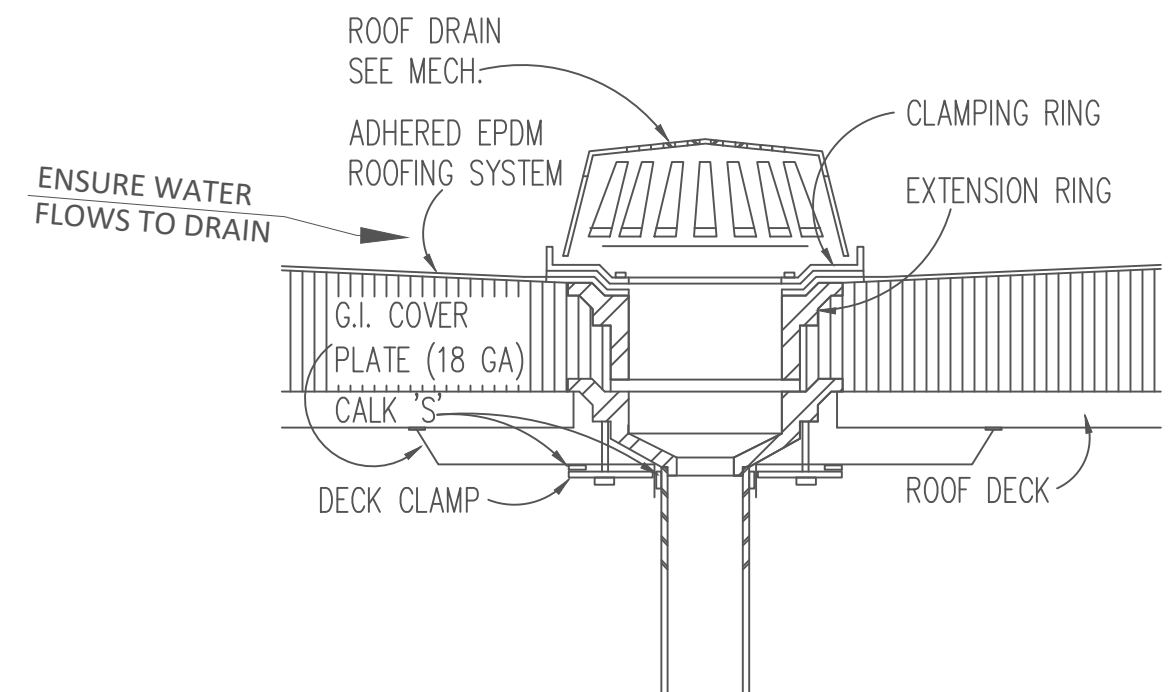
Drawing Title FOURTH FLOOR ROOF PLAN		Project Title FALL PROTECTION		Date FEBRUARY 07, 2020
VA Project No. 437-18-175	Contract No. VA263-P-1217 VA263-C-	Designed By TT	Checked By TT	Scale 1/16"=1'-0"
Building No. 1, 9, 46	AutoCAD File Name	Drawn By MS	Drawing No. A 2.4	Dwg. 5 of 8
Location FARGO VA HEALTH CARE SYSTEM FARGO, ND				



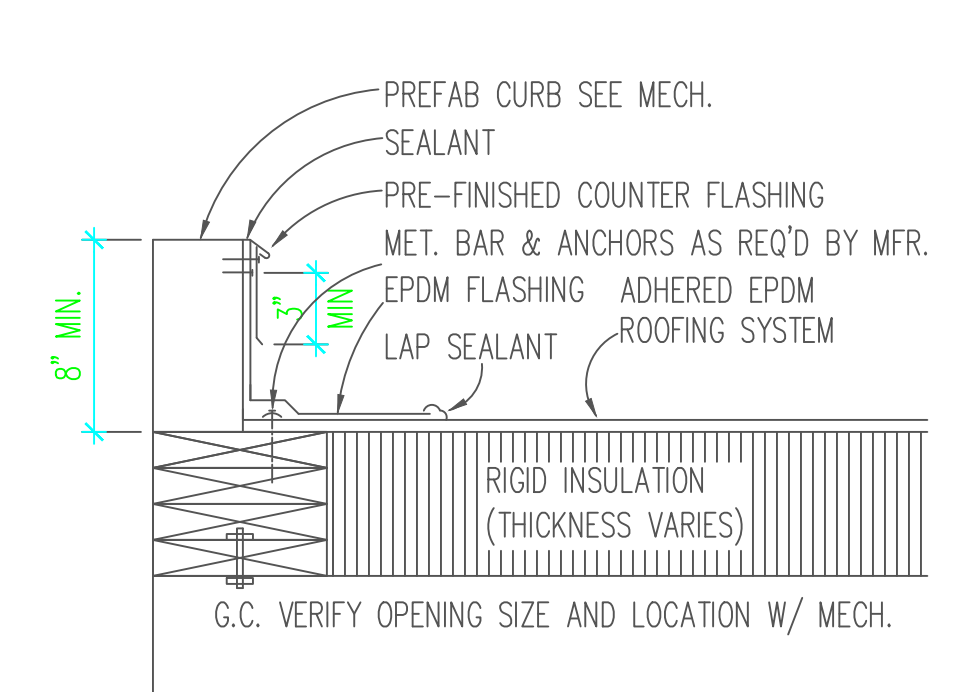
1 PARAPET DETAIL
A 6.0 1-1/2" = 1'-0"



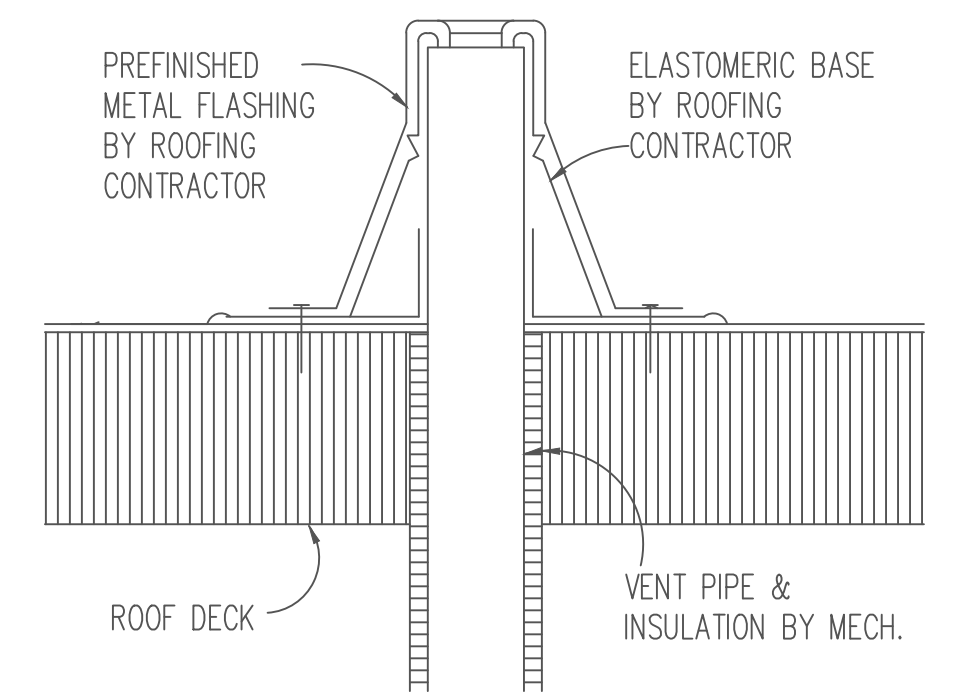
2 TYPICAL OA HOOD DETAIL
A 6.0 N.T.S.



3 ROOF DRAIN
A 6.0 1-1/2" = 1'-0"



4 TYPICAL PREFAB MECH CURB
A 6.0 1-1/2" = 1'-0"



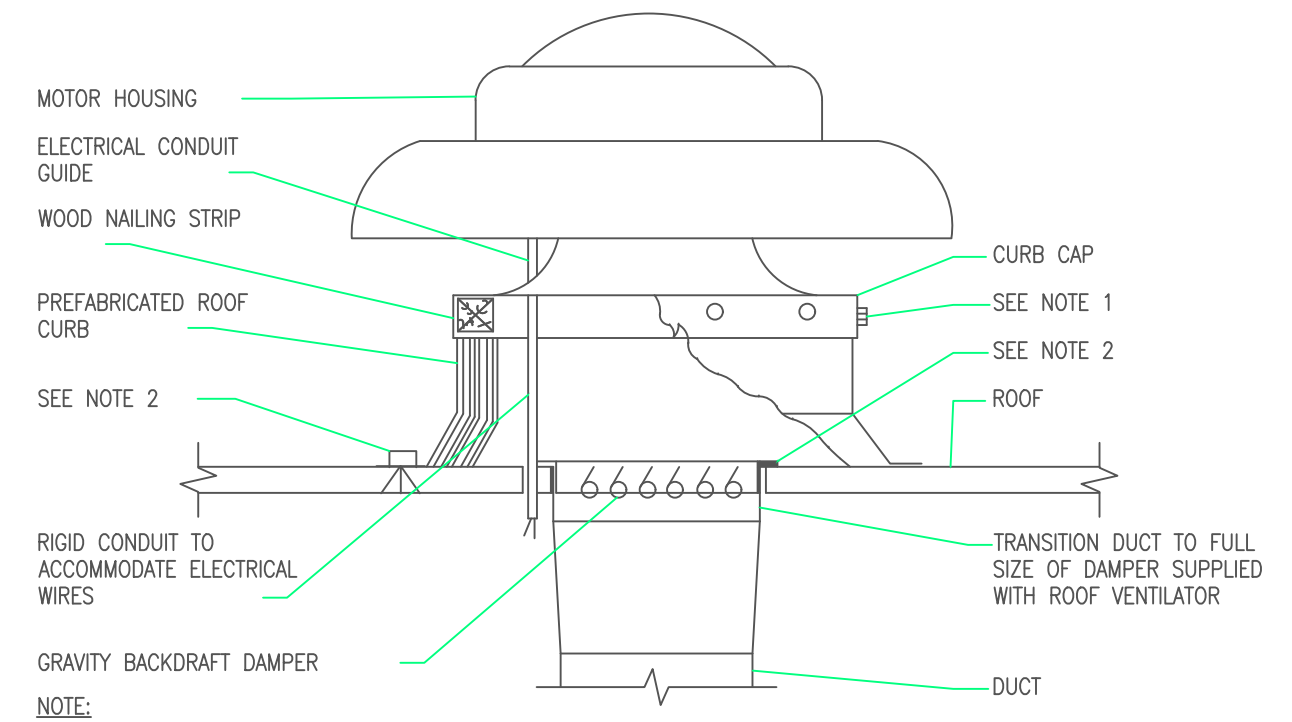
5 PLUMBING STACK
A 6.0 1-1/2" = 1'-0"

6 WALL FLASHING AT DOOR THRESHOLD (REFER TO MANUFACTURER)
A 6.0 N.T.S.

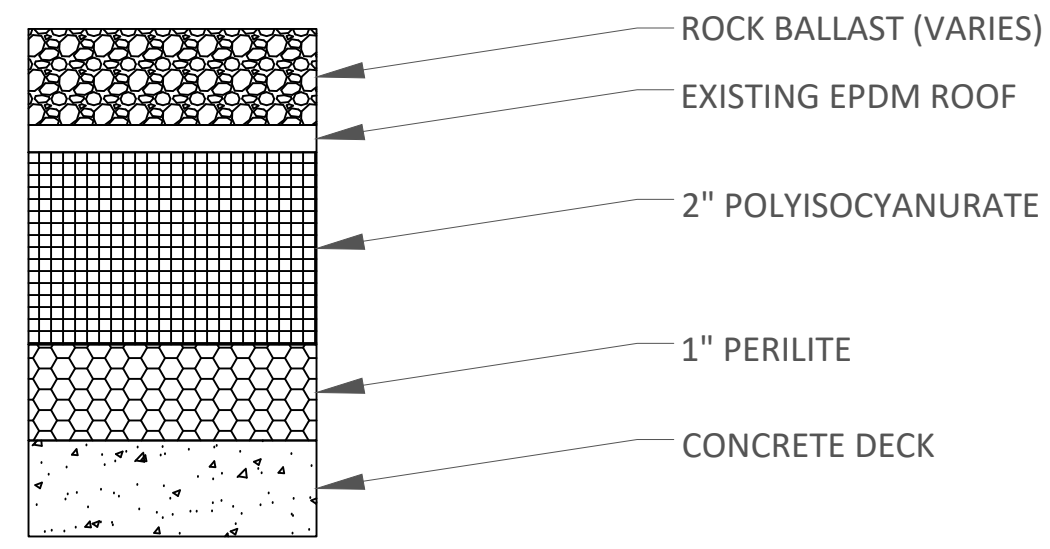
7 FLASHING AT NEW FACE BRICK
A 6.0 1-1/2" = 1'-0"

8 PREFINISHED METAL FASCIA DETAIL
A 6.0 N.T.S.

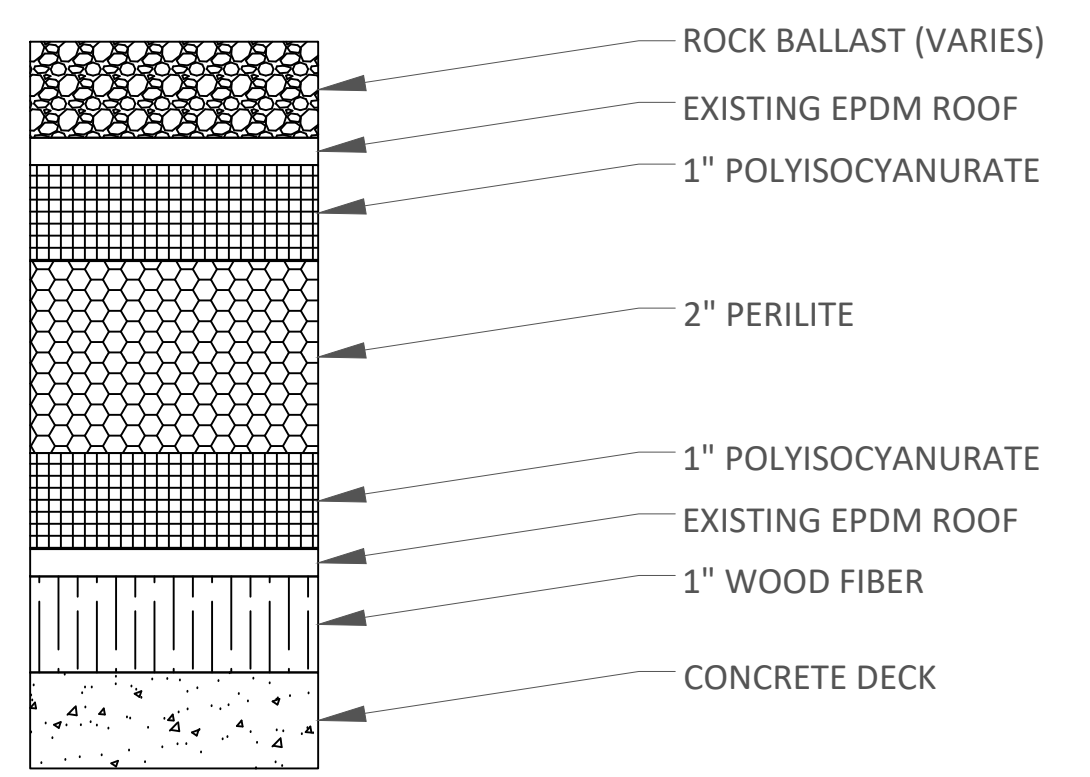
9 SCUPPER THROUGH ROOF EDGE (REFER TO MANUFACTURER)
A 6.0 N.T.S.



10 TYPICAL POWER TYPE ROOF VENTILATOR DETAIL
A 6.0 N.T.S.



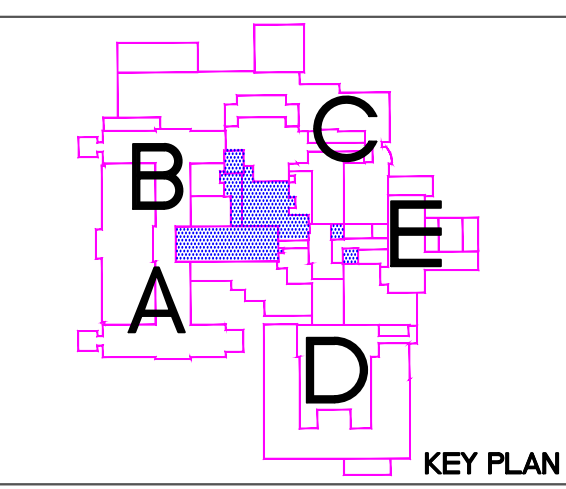
11 CORE SAMPLE (TYP, SECTION 1)
A 6.0 N.T.S.



12 CORE SAMPLE (TYP, SECT 2/3/4/5)
A 6.0 N.T.S.

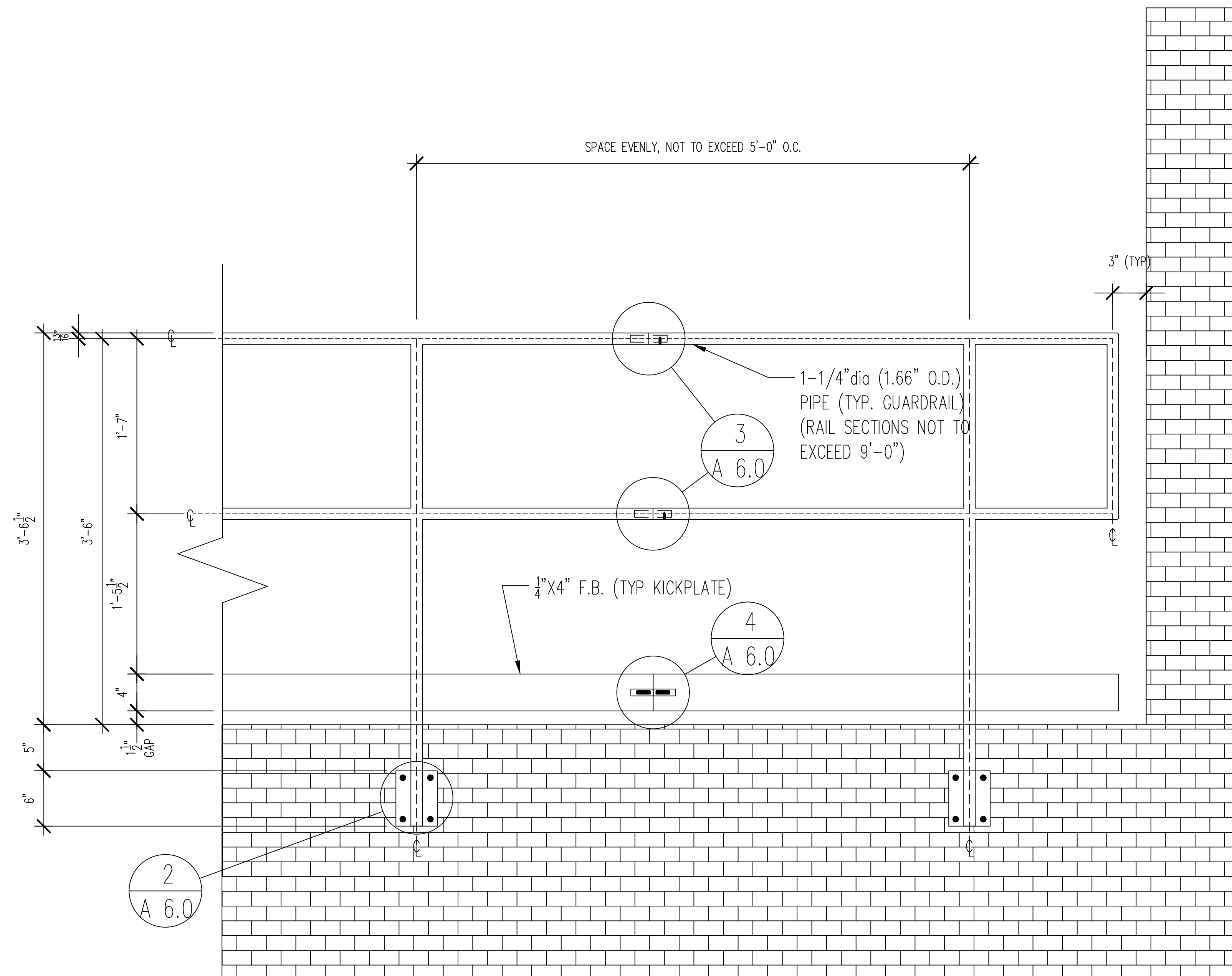
Revisions	Date

VA
 Dept. of Veterans Affairs
 Health Care System
 2101 Elm Street North
 Fargo, ND 58102

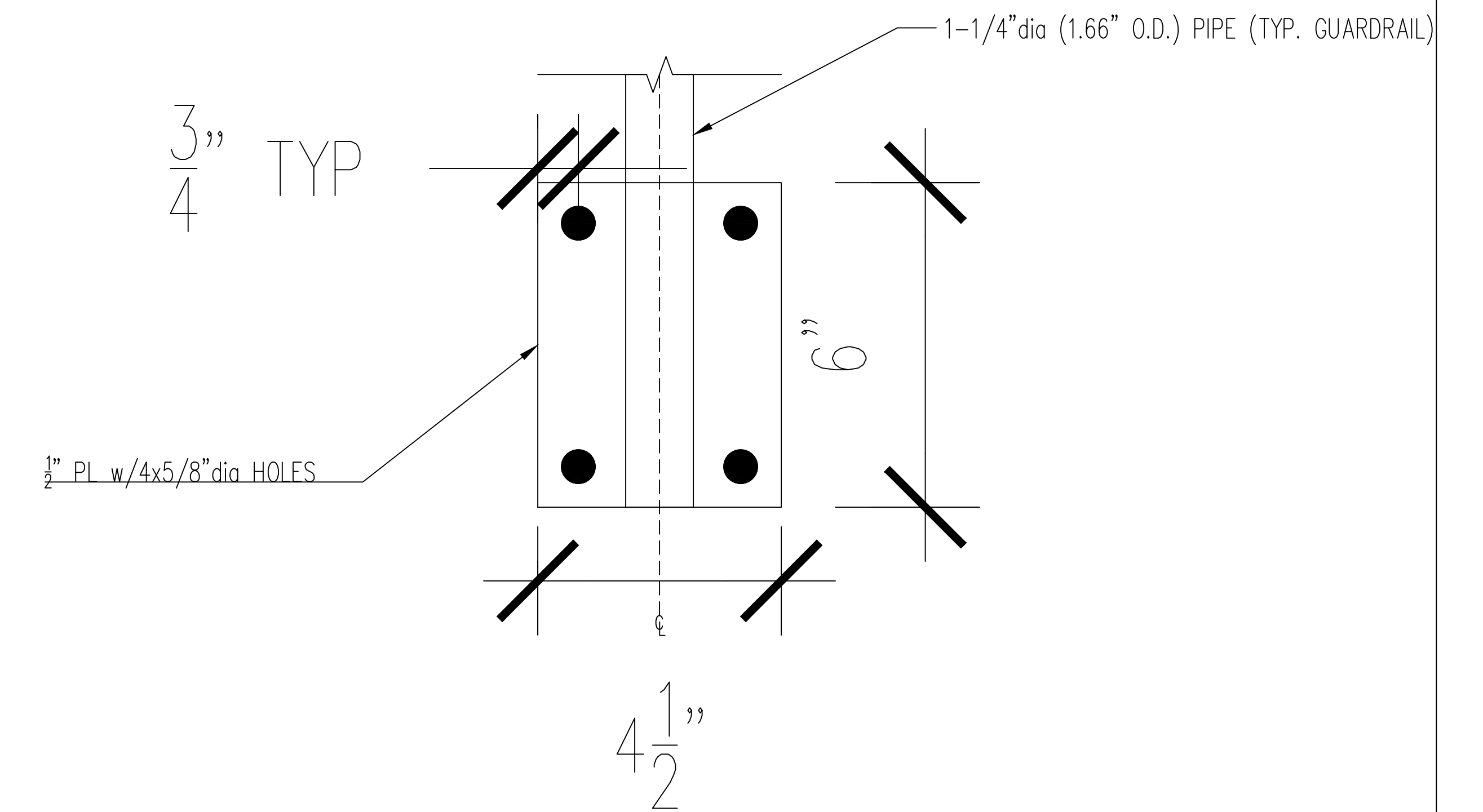


Drawing Title GUARD RAIL DETAILS		Project Title FALL PROTECTION		Date OCTOBER 07, 2020
VA Project No. 437-18-175		Contract No. VA263-P-1217 VA263-C-		Scale SEE DETAILS
Designed By CKH	Checked By CKH	Drawn By CKH	Drawing No. A6.0	
Building No. 1, 9, 46	AutoCAD File Name AL-390_AL-ROF_PLUMB-4519G	Location FARGO VA HEALTH CARE SYSTEM FARGO, ND		
Dwg. 6 of 8				

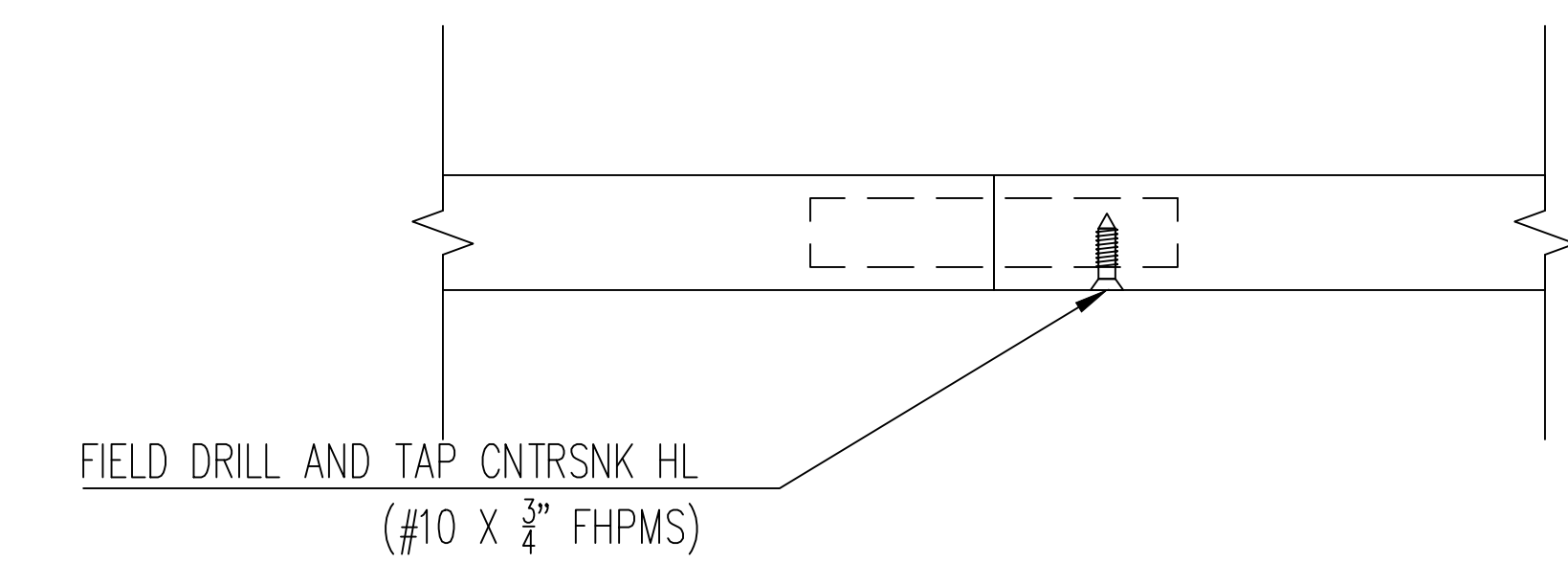
Department of Veterans Affairs



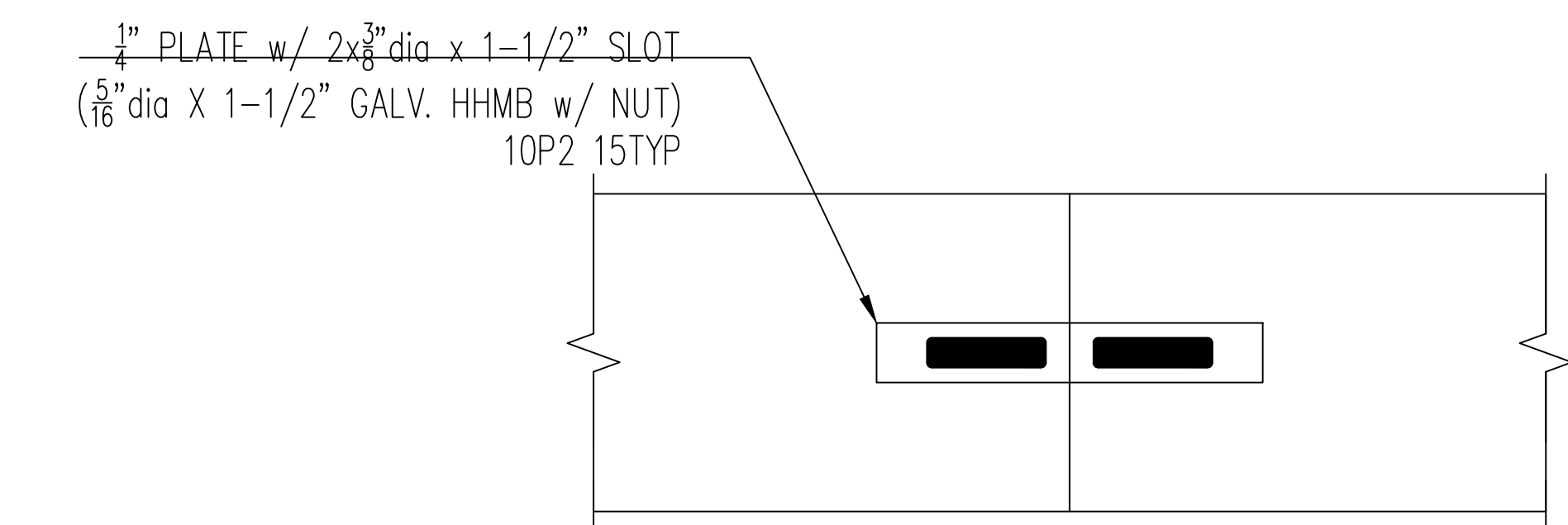
1 GUARD RAIL DETAILS (TYP)
A 6.1 SCALE: 1-1/2" = 1'



2 MOUNTING DETAILS
A 6.1 SCALE: 6" = 1'
*BRICK NOT SHOWN FOR CLARITY



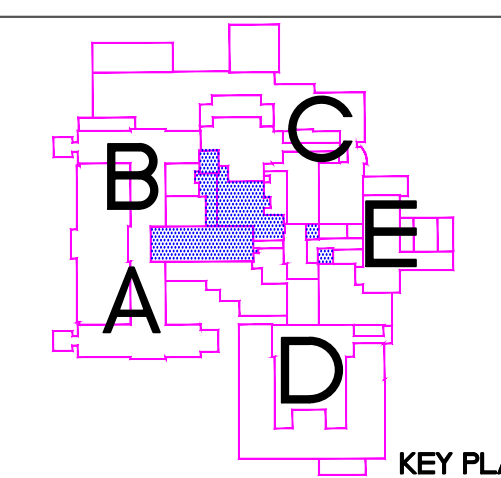
3 HAND RAIL SPLICE DETAIL
A 6.1 SCALE: 6" = 1'



4 KICK PLATE SPLICE DETAILS
A 6.1 SCALE: 6" = 1'

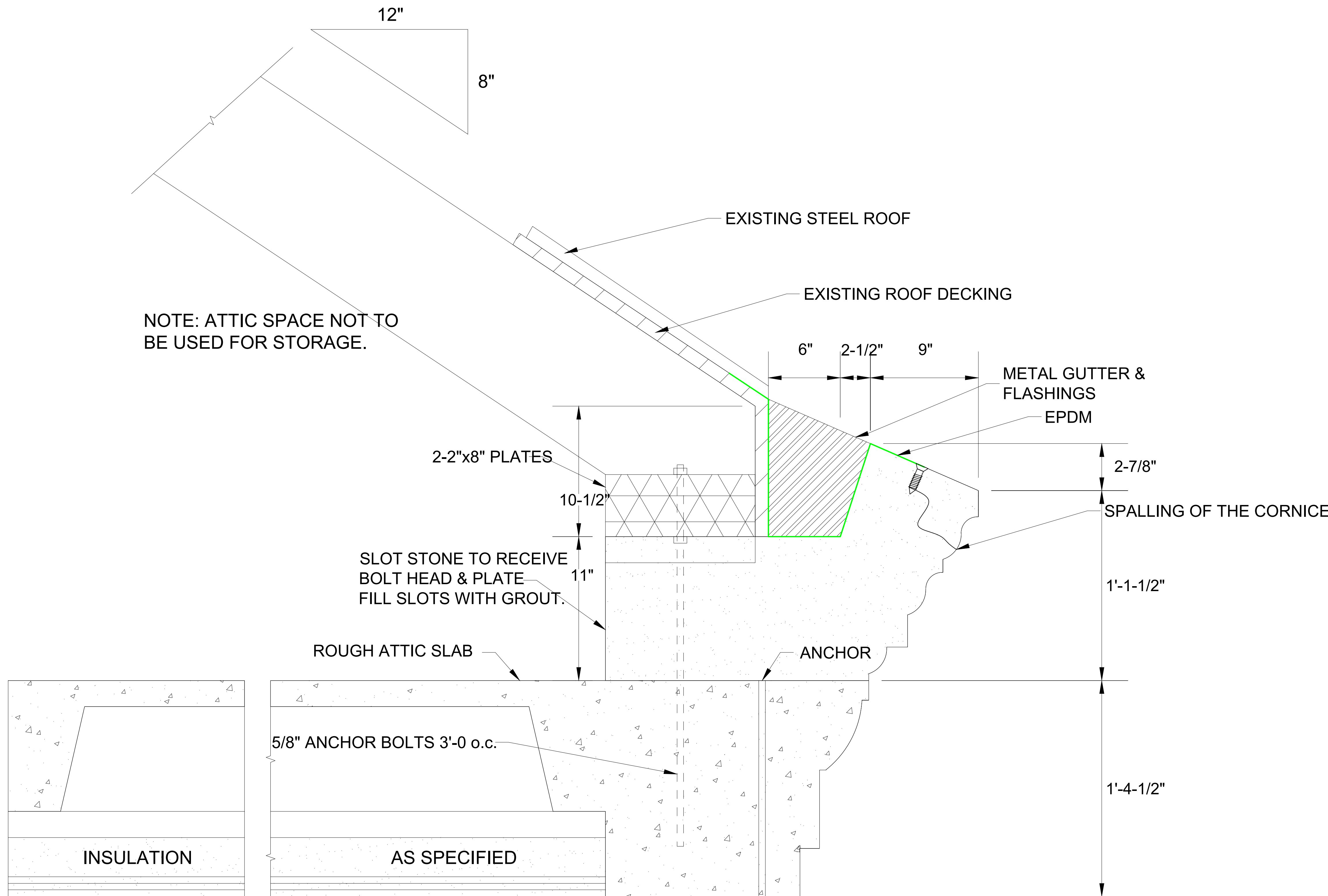
Revisions	Date

VA
 Dept. of Veterans Affairs
 Health Care System
 2101 Elm Street North
 Fargo, ND 58102



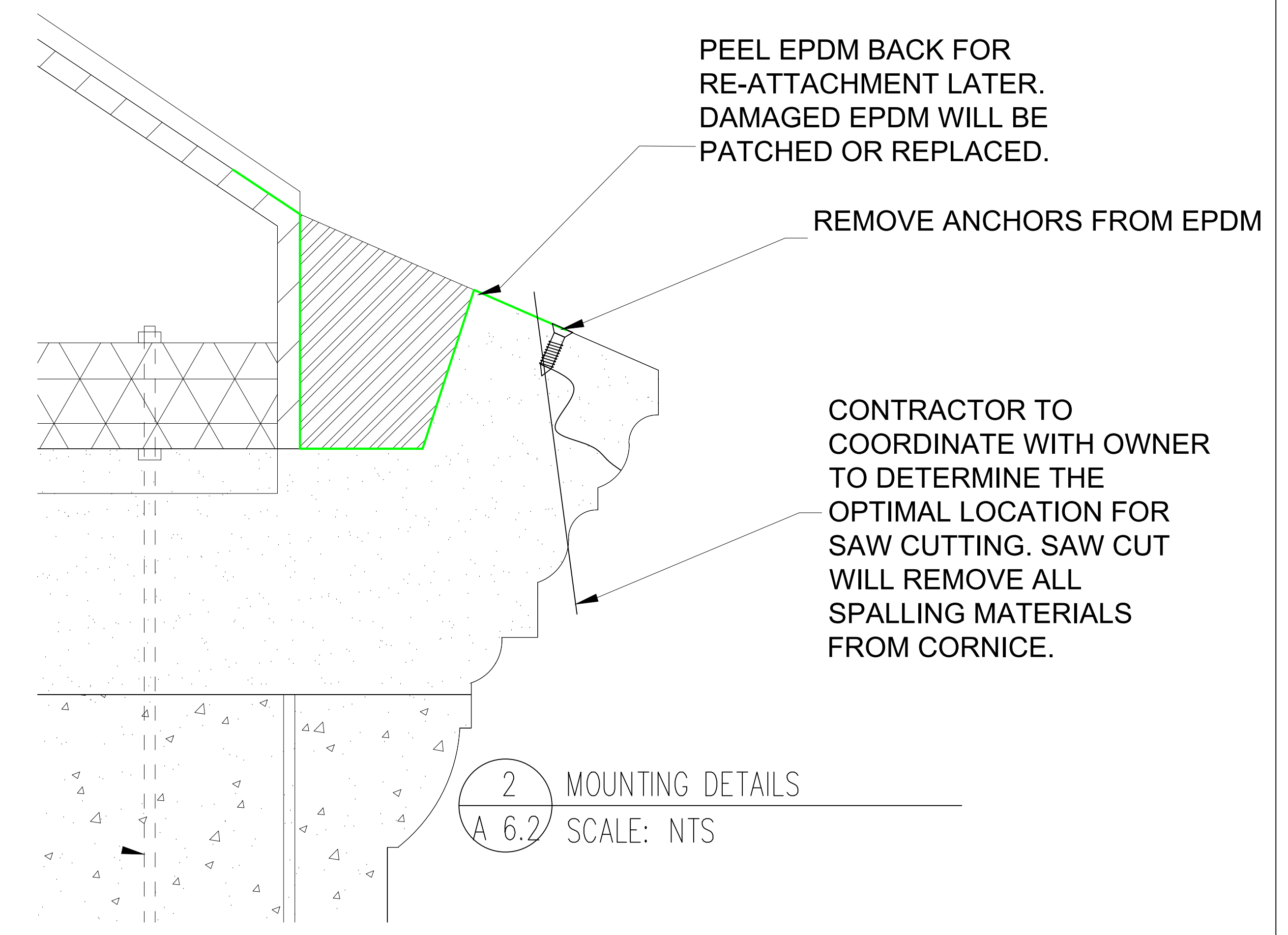
Drawing Title GUARD RAIL DETAILS		Project Title FALL PROTECTION		Date OCTOBER 07, 2020
VA Project No. 437-18-175		Contract No. VA263-P-1217 VA263-C-		Scale SEE DETAILS
Building No. 1, 9, 46	AutoCAD File Name <small>AL_SRI_AL_RIP_PUMP-463.DWG</small>	Designed By CKH	Checked By CKH	Drawn By CKH
Location FARGO VA HEALTH CARE SYSTEM FARGO, ND		Drawing No. A6.1		Dwg. 7 of 8



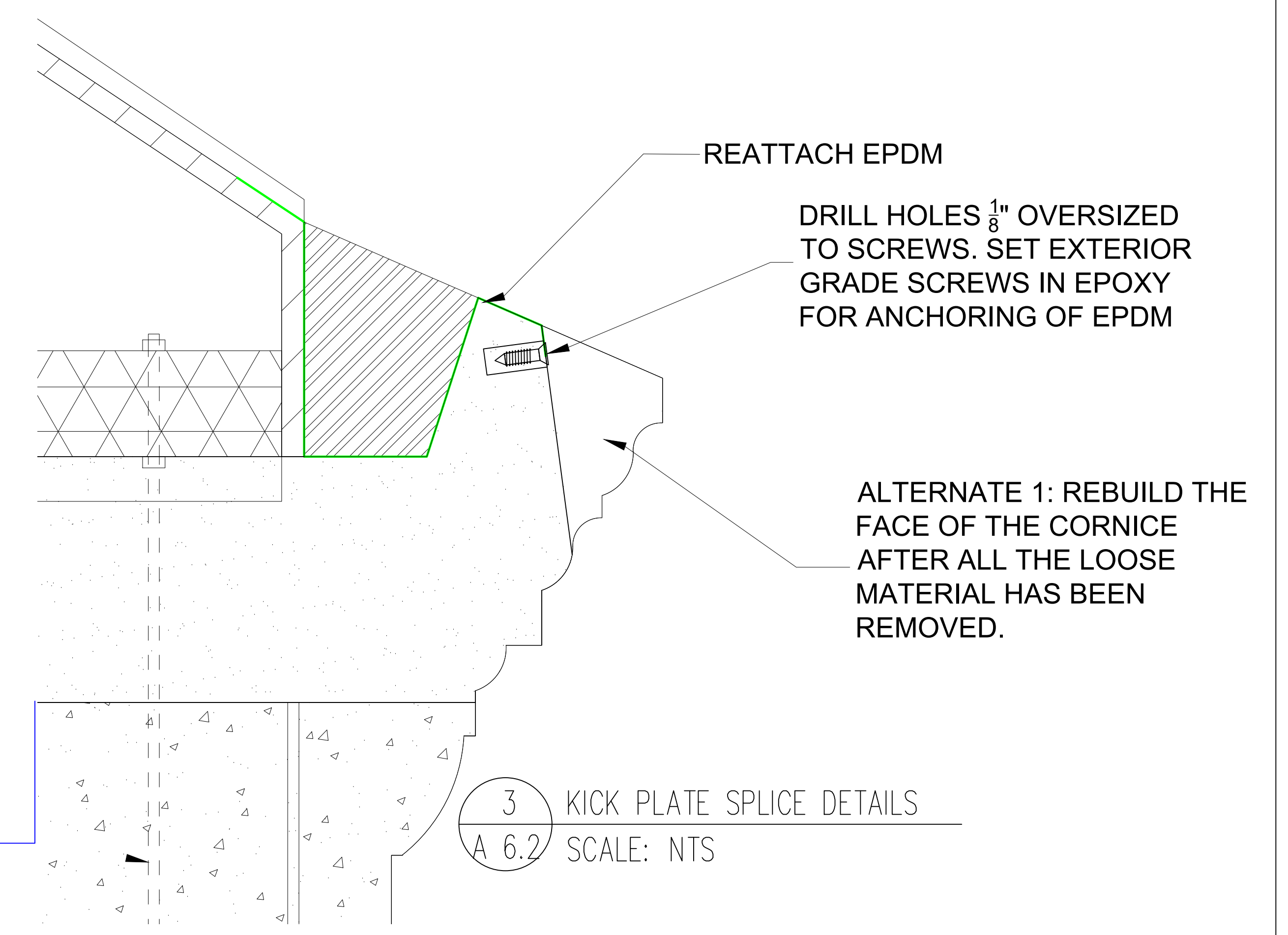


NOTE: ATTIC SPACE NOT TO BE USED FOR STORAGE.

1 EXISTING SITE CONDITIONS
A 6.2 SCALE: NTS



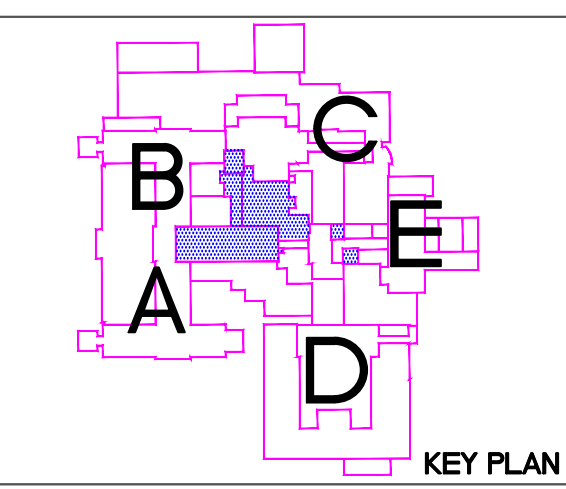
2 MOUNTING DETAILS
A 6.2 SCALE: NTS



3 KICK PLATE SPLICE DETAILS
A 6.2 SCALE: NTS

Revisions	Date

VA
 Dept. of Veterans Affairs
 Health Care System
 2101 Elm Street North
 Fargo, ND 58102



Drawing Title CORNICE DETAILS		Project Title REPLACE ROOF AND FALL PROTECTION		Date OCTOBER 07, 2020
VA Project No. 437-18-175	Contract No. VA263-P-1217 VA263-C-	Designed By CKH	Checked By CKH	Drawn By CKH
Building No. 1, 9, 46	AutoCAD File Name AL_3RD_FL_ROOF_PUMP-46136	Location FARGO VA HEALTH CARE SYSTEM FARGO, ND		Drawing No. A 6.2
				Dwg. 8 of 8

