

**PLUMBING FIXTURE PIPE SIZES**

FIXTURE	SUPPLY PIPE SIZE, INCH		WASTE PIPE SIZE, IN.	VENT PIPE SIZE, IN.
	HW	CW		
P-116 WATER CLOSET, TANK TYPE	—	3/4	4	2
P-117 WATER CLOSET, FLUSH VALVE	—	1-1/4	4	2
P-300 BATH TUB (NOT TO BE CONNECTED)	—	—	—	—
P-415 LAVATORY, WALL HUNG	1/2	1/2	1-1/4	1-1/4
P-421 LAVATORY	1/2	1/2	1-1/4	1-1/4
P-502 SERVICE SINK, CORNER, FLOOR MOUNTED	3/4	3/4	3	1-1/2
P-524 SINK, CRS. DOUBLE COMPARTMENT	1/2	1/2	1-1/2	1-1/2
P-528 SINK, CRS. SINGLE COMPARTMENT	1/2	1/2	1-1/2	1-1/2
P-610 ELECTRIC WATER COOLER	—	1/2	1-1/4	1-1/4
P-709 EMERGENCY EYE WASH	1/2	1/2	1-1/4	1-1/4
P-801 WALL HYDRANT, NON-FREEZE	—	3/4	—	—
P-804 HORSE BIBB	—	3/4	—	—
FD-G FLOOR DRAIN FINISHED SPACES	—	—	SIZE PER PLAN	—
FD-D FLOOR DRAIN MECHANICAL SPACES	—	—	SIZE PER PLAN	—

AREA OF WORK ABOVE. COORDINATE LOCATIONS AND EXTENTS OF EXISTING PIPING STUBS.

**ALTERNATE NOTES**

REFER TO ARCHITECTURAL FLOOR PLANS AND SPECIFICATION FOR DESCRIPTION OF ALTERNATES 9, 10 AND 11 OF CONSTRUCTION.

**SPECIFICATION NOTES**

COMPLETE LAYOUT DRAWINGS SHALL BE REQUIRED BY PARAGRAPH. SUBMITTALS CONSTRUCTION WORK SHALL NOT START ON ANY SYSTEM UNTIL THE LAYOUT DRAWING HAVE BEEN APPROVED.

**GENERAL NOTES**

CORE DRILLING THRU BEAMS OR JOISTS IS NOT ALLOWED. IF PLUMBING WALL IS LOCATED ON A BEAM/JOIST, CONTRACTOR SHALL CONTACT ENGINEER.

ALL HOLES IN FLOOR OR WALL FROM PIPING SHALL BE FIRESTOPPED TO MATCH ASSEMBLY FIRE RATINGS.

ALL PIPING TO RUN CONCEALED ABOVE CEILING UNLESS OTHERWISE NOTED OR IN MECHANICAL ROOM.

NOT ALL NOTES ARE USED ON EACH SHEET.

**KEY NOTES**

- ▽ 2" WASTE, 1/2" COLD WATER AND 1/2" HOT WATER UP TO FIXTURE P-415.
- ▽ 4" WASTE AND 1-1/2" COLD WATER UP TO FIXTURE P-117. EXTEND 1/2" COLD WATER TO ADJACENT LAVATORY, IN WALL ABOVE.
- ▽ 3" WASTE, 2" VENT, 3/4" COLD WATER AND 3/4" HOT WATER UP TO FIXTURE P-502.
- ▽ 2" WASTE, 1/2" COLD WATER UP TO FIXTURE P-610.
- ▽ 3/4" IRRIGATION (NON-POTABLE) COLD WATER UP TO FIXTURE P-801.
- ▽ 2" WASTE AND 1/2" HOT WATER UP TO FIXTURE P-415. EXTEND 1/2" COLD WATER FROM ADJACENT 1-1/2" CW TOILET SUPPLY.
- ▽ 4" WASTE AND 2" COLD WATER UP TO FIXTURES P-117.
- ▽ REFER TO STRUCTURAL FOUNDATION PLAN FOR DRAIN TILE PIPING.
- ▽ PROVIDE 1/2" HOT WATER WITH SHUT-OFF VALVE FROM SINK TO DISHWASHER. ROUTE DISHWASHER DRAIN TO AIR GAP FITTING TO THE TAILPIECE OF SINK.
- ▽ 4" WASTE, 2" VENT AND 3/4" COLD WATER UP TO FIXTURE P-115.
- ▽ 2" WASTE, 1/2" COLD WATER AND 1/2" HOT WATER UP TO FIXTURE P-528.
- ▽ 2" WASTE, 1/2" COLD WATER AND 1/2" HOT WATER UP TO FIXTURE P-421.
- ▽ 2" WASTE AND 1/2" HOT WATER UP TO TWO FIXTURES P-415. EXTEND 1/2" COLD WATER TO LAVATORIES FROM ADJACENT 2" CW TOILET SUPPLY.
- ▽ 2" WASTE UP TO FLOOR DRAIN FD-G.
- ▽ COORDINATE WITH MECHANICAL DUCT WORK FOR ELEVATION OF EACH.
- ▽ CONNECT A 4" STORM DRAIN PIPE TO THE DRAIN TILE PIPE. THE 4" STORM DRAIN PIPE OPEN END (INLET) SHALL BE FLUSH WITH THE FLOOR OF THE AREA WELL.
- ▽ CONNECT A 4" STORM DRAIN PIPE TO THE DRAIN TILE PIPE. THE 4" STORM DRAIN PIPE SHALL CONNECT TO FD-G. NO TRAP PRIMER SHALL BE INSTALLED ON THIS AREA DRAIN.
- ▽ CONNECT 2" WASTE, 2" VENT, 1/2" COLD WATER AND 1/2" HOT WATER TO FIXTURE P-709.
- ▽ 2" WASTE, 1/2" COLD WATER AND 1/2" HOT WATER UP TO FIXTURE P-524.

N.I.C.

N.I.C.

N.I.C.

**Horty Elving™**  
 505 East Grant Street, Minneapolis, MN 55404-1490  
 T 612.332.4422 F 612.344.1282 hortyelving.com

Planning  
 Architecture  
 Engineering  
 Interior Design  
 Construction Management  
 Design Build  
 Horty Elving & Associates, Inc.

I hereby certify that this plan, specification or report was prepared by me or under my direct supervision and that I am a duly Licensed Professional Engineer under the laws of the State of Minnesota.  
 James C. Elving License No. 12852

© COPYRIGHT This drawing is the copyrighted work product of Horty and Elving. No modification or reproduction of these documents without written consent of Horty is prohibited. The publication or related services performed or furnished by the Architect for this project are intended solely for the use and not to be construed as a contract. The architect's liability is limited to the professional services of the nature here and in the same locality. Architect makes no warranties, express or implied, in connection with its services.

APPROVED SERVICE LINE DIRECTOR	DATE	APPROVED INFECTION CONTROL NURSE	DATE
APPROVED GEMS COORDINATOR	DATE	APPROVED PATIENT SAFETY	DATE
APPROVED PROJECTS SECTION MANAGER	DATE	APPROVED CHIEF OF POLICE	DATE
APPROVED DIRECTOR FMS	DATE	APPROVED SAFETY MANAGER	DATE

**DRAWING TITLE**  
**PLUMBING LOWER LEVEL**

**PROJECT TITLE**  
 RELOCATE REHAB SERVICES 656-16-277  
 St. Cloud VA Health Care System

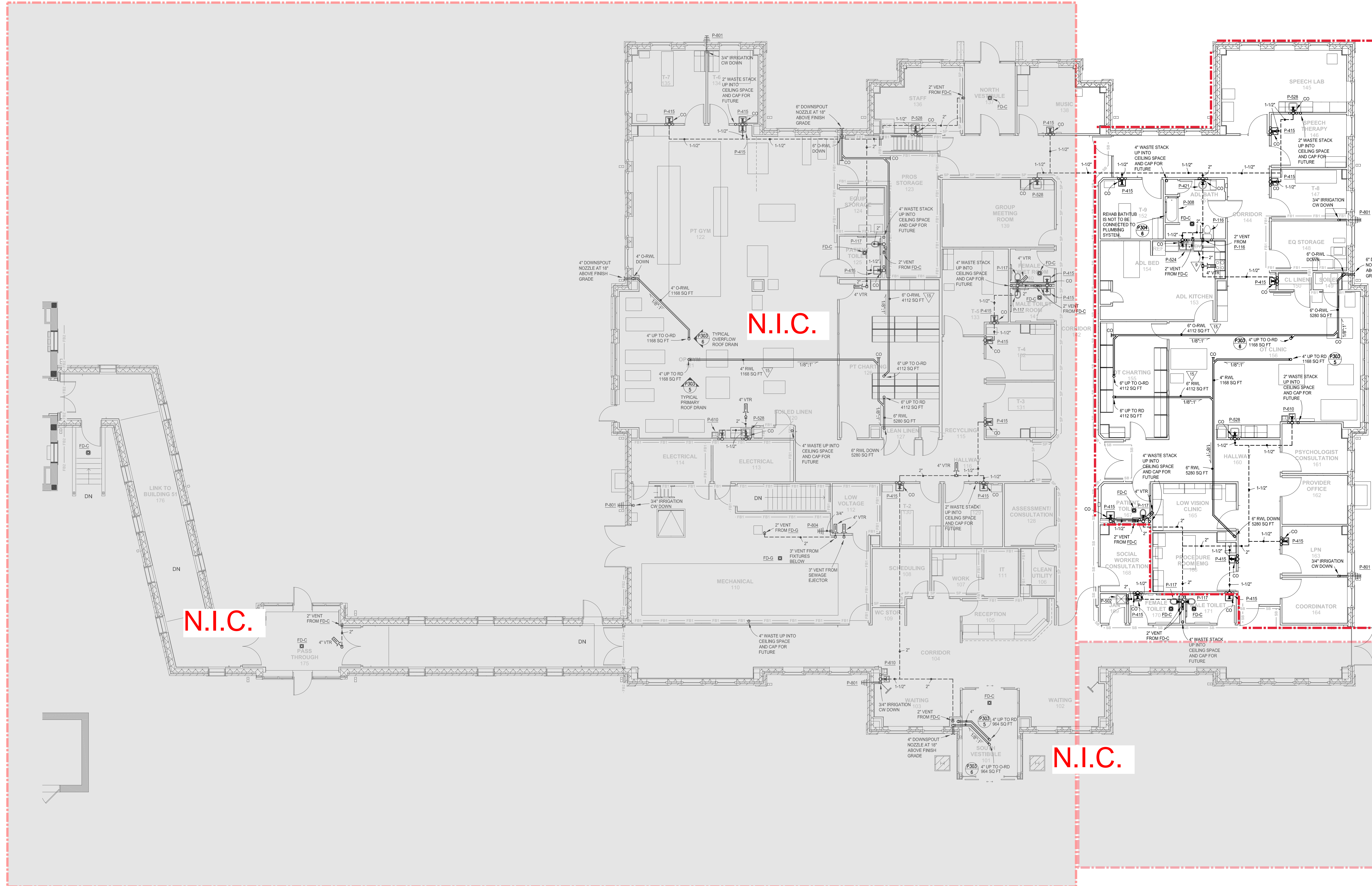
DATE: 12/03/2018  
 PLOT SCALE: 1/8"=1'-0"

APPROVED CHIEF OF STAFF: [Signature]  
 APPROVED MEDICAL CENTER DIRECTOR: [Signature]

**St. Cloud VA Health Care System**  
 Brainerd | Montevideo | Alexandria

VA MEDICAL CENTER  
 ST. CLOUD, MN 56303

DRAWING NO. P101



**PLUMBING FIXTURE PIPE SIZES**

FIXTURE	SUPPLY PIPE SIZE, INCH		WASTE PIPE SIZE, IN.	VENT PIPE SIZE, IN.
	HW	CW		
P-116 WATER CLOSET, TANK TYPE	—	3/4	4	2
P-117 WATER CLOSET, FLUSH VALVE	—	1-1/4	4	2
P-208 BATH TUB (NOT TO BE CONNECTED)	—	—	—	—
P-415 LAVATORY, WALL HUNG	1/2	1/2	1-1/4	1-1/4
P-415 LAVATORY	1/2	1/2	1-1/4	1-1/4
P-502 SERVICE SINK, CORNER, FLOOR MOUNTED	3/4	3/4	3	1-1/2
P-524 SINK, CRS. DOUBLE COMPARTMENT	1/2	1/2	1-1/2	1-1/2
P-528 SINK, CRS. SINGLE COMPARTMENT	1/2	1/2	1-1/2	1-1/2
P-610 ELECTRIC WATER COOLER	—	1/2	1-1/4	1-1/4
P-709 EMERGENCY EYE WASH	1/2	1/2	1-1/4	1-1/4
P-801 WALL HYDRANT, NON-FREEZE	—	3/4	—	—
P-804 HORSE BIBB	—	3/4	—	—
FD-C FLOOR DRAIN FINISHED SPACES	—	—	—	—
FD-C FLOOR DRAIN MECHANICAL SPACES	—	—	—	—

AREA OF WORK

**ALTERNATE NOTES**

REFER TO ARCHITECTURAL FLOOR PLANS AND SPECIFICATION FOR DESCRIPTION OF ALTERNATES 9, 10 AND 11 OF CONSTRUCTION.

**SPECIFICATION NOTES**

COMPLETE LAYOUT DRAWINGS SHALL BE REQUIRED BY PARAGRAPH, SUBMITTALS. CONSTRUCTION WORK SHALL NOT START ON ANY SYSTEM UNTIL THE LAYOUT DRAWING HAVE BEEN APPROVED.

**GENERAL NOTES**

- CORE DRILLING THRU BEAMS OR JOISTS IS NOT ALLOWED. IF PLUMBING WALL IS LOCATED ON A BEAM/JOIST, CONTRACTOR SHALL CONTACT ENGINEER.
- ALL HOLES IN FLOOR OR WALL FROM PIPING SHALL BE PRESTOPPED TO MATCH ASSEMBLY FIRE RATINGS.
- ALL PIPING TO RUN CONCEALED ABOVE CEILING UNLESS OTHERWISE NOTED OR IN MECHANICAL ROOM.
- NOT ALL NOTES ARE USED ON EACH SHEET.

**KEY NOTES**

- ▽ 2" WASTE, 1/2" COLD WATER AND 1/2" HOT WATER UP TO FIXTURE P-415.
- ▽ 4" WASTE AND 1-1/2" COLD WATER UP TO FIXTURE P-117. EXTEND 1/2" COLD WATER TO ADJACENT LAVATORY, IN WALL ABOVE.
- ▽ 2" WASTE, 2" VENT, 3/4" COLD WATER AND 3/4" HOT WATER UP TO FIXTURE P-502.
- ▽ 2" WASTE, 1/2" COLD WATER UP TO FIXTURE P-610.
- ▽ 3/4" IRRIGATION (NON-POTABLE) COLD WATER UP TO FIXTURE P-801.
- ▽ 2" WASTE AND 1/2" HOT WATER UP TO FIXTURE P-415. EXTEND 1/2" COLD WATER FROM ADJACENT 1-1/2" CW TOILET SUPPLY.
- ▽ 4" WASTE AND 2" COLD WATER UP TO FIXTURES P-117.
- ▽ REFER TO STRUCTURAL FOUNDATION PLAN FOR DRAIN TILE PIPING.
- ▽ PROVIDE 1/2" HOT WATER WITH SHUT-OFF VALVE FROM SINK TO DISHWASHER. ROUTE DISHWASHER DRAIN TO AIR GAP FITTING THEN TO TAILPIPE OF SINK.
- ▽ 4" WASTE, 2" VENT AND 3/4" COLD WATER UP TO FIXTURE P-115.
- ▽ 2" WASTE, 1/2" COLD WATER AND 1/2" HOT WATER UP TO FIXTURE P-528.
- ▽ 2" WASTE, 1/2" COLD WATER AND 1/2" HOT WATER UP TO FIXTURE P-421.
- ▽ 2" WASTE AND 1/2" HOT WATER UP TO TWO FIXTURES P-415. EXTEND 1/2" COLD WATER TO LAVATORIES FROM ADJACENT 2" CW TOILET SUPPLY.
- ▽ 2" WASTE UP TO FLOOR DRAIN FD-C.
- ▽ COORDINATE WITH MECHANICAL DUCT WORK FOR ELEVATION OF EACH.
- ▽ CONNECT A 4" STORM DRAIN PIPE TO THE DRAIN TILE PIPE. THE 4" STORM DRAIN PIPE OPEN END (INLET) SHALL BE FLUSH WITH THE FLOOR OF THE AREA WELL.
- ▽ CONNECT A 4" STORM DRAIN PIPE TO THE DRAIN TILE PIPE. THE 4" STORM DRAIN PIPE SHALL CONNECT TO FD-C. NO TRAP PRIMER SHALL BE INSTALLED ON THIS AREA DRAIN.
- ▽ CONNECT 2" WASTE, 2" VENT, 1/2" COLD WATER AND 1/2" HOT WATER TO FIXTURE P-709.
- ▽ 2" WASTE, 1/2" COLD WATER AND 1/2" HOT WATER UP TO FIXTURE P-524.

N.I.C.

N.I.C.

N.I.C.

**Horty Elving™**  
 Planning Architecture Engineering Interior Design Construction Management Design Build  
 505 East Grant Street, Minneapolis, MN 55404-1490  
 T 612.332.4422 F 612.344.1282 hortyelving.com  
 Hority Elving & Associates, Inc.

I hereby certify that this plan, specification or report was prepared by me or under my direct supervision and that I am a duly Licensed Professional Engineer under the laws of the State of Minnesota.  
 James C. Elving License No. 12852

APPROVED SERVICE LINE DIRECTOR DATE APPROVED INFECTION CONTROL NURSE DATE  
 APPROVED GEMS COORDINATOR DATE APPROVED PATIENT SAFETY DATE  
 APPROVED PROJECTS SECTION MANAGER DATE APPROVED CHIEF OF POLICE DATE  
 APPROVED DIRECTOR FMS DATE APPROVED SAFETY MANAGER DATE

APPROVED CHIEF OF STAFF DATE  
 APPROVED MEDICAL CENTER DIRECTOR DATE

© COPYRIGHT This drawing is the copyrighted work product of Hority and team. Modification or reproduction of these documents without express written consent of Hority is prohibited. The architecture or related services performed or furnished by the Architect for this project are intended solely for the use and shall not be used by anyone other than the architectural professional providing same under the provisions of the same laws and in the same locality. Architect makes no warranties, express or implied, in connection with its services.

**DRAWING TITLE**  
**PLUMBING FIRST FLOOR**

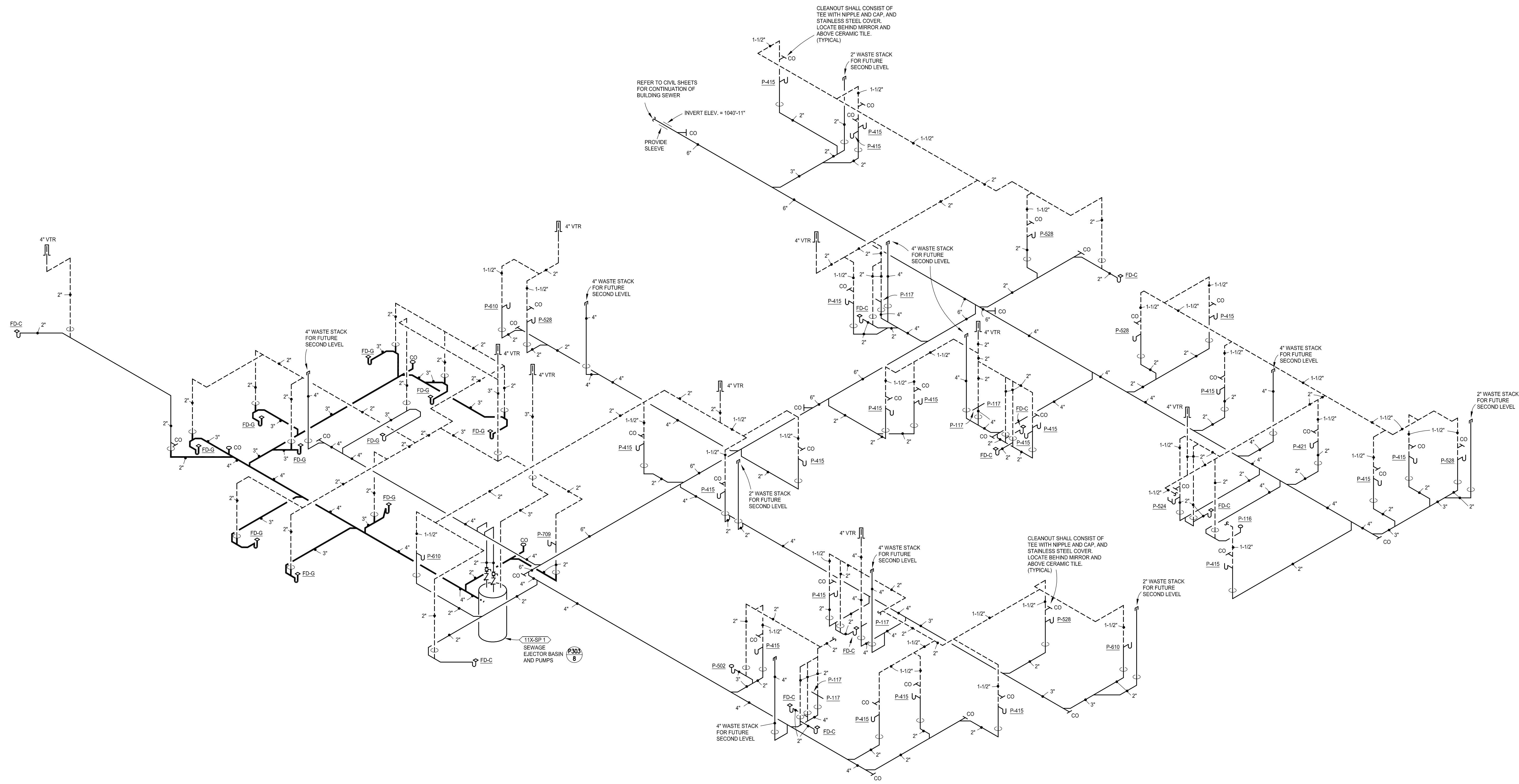
**PROJECT TITLE**  
 RELOCATE REHAB SERVICES 656-16-277  
 St. Cloud VA Health Care System

**DATE**  
 12/03/2018  
**PROJECT SCALE**  
 1/8"=1'-0"

**REVISION**

**DRAWING NO.**  
 P201

**St. Cloud VA Health Care System**  
 Brainerd | Montevideo | Alexandria



SLOPE PIPING IN ACCORDANCE WITH SECTION 221300 - FACILITY SANITARY AND VENT, 3.4 J. 1.

**Horty Elving™**  
 505 East Grant Street, Minneapolis, MN 55404-1490  
 T 612.332.4422 F 612.344.1282 hortyelving.com

Planning  
 Architecture  
 Engineering  
 Interior Design  
 Construction Management  
 Design Build  
 Horty Elving & Associates, Inc.

I hereby certify that this plan, specification or report was prepared by me or under my direct supervision and that I am a duly Licensed Professional Engineer under the laws of the State of Minnesota.  
 James C. Elving  
 License No. 12852

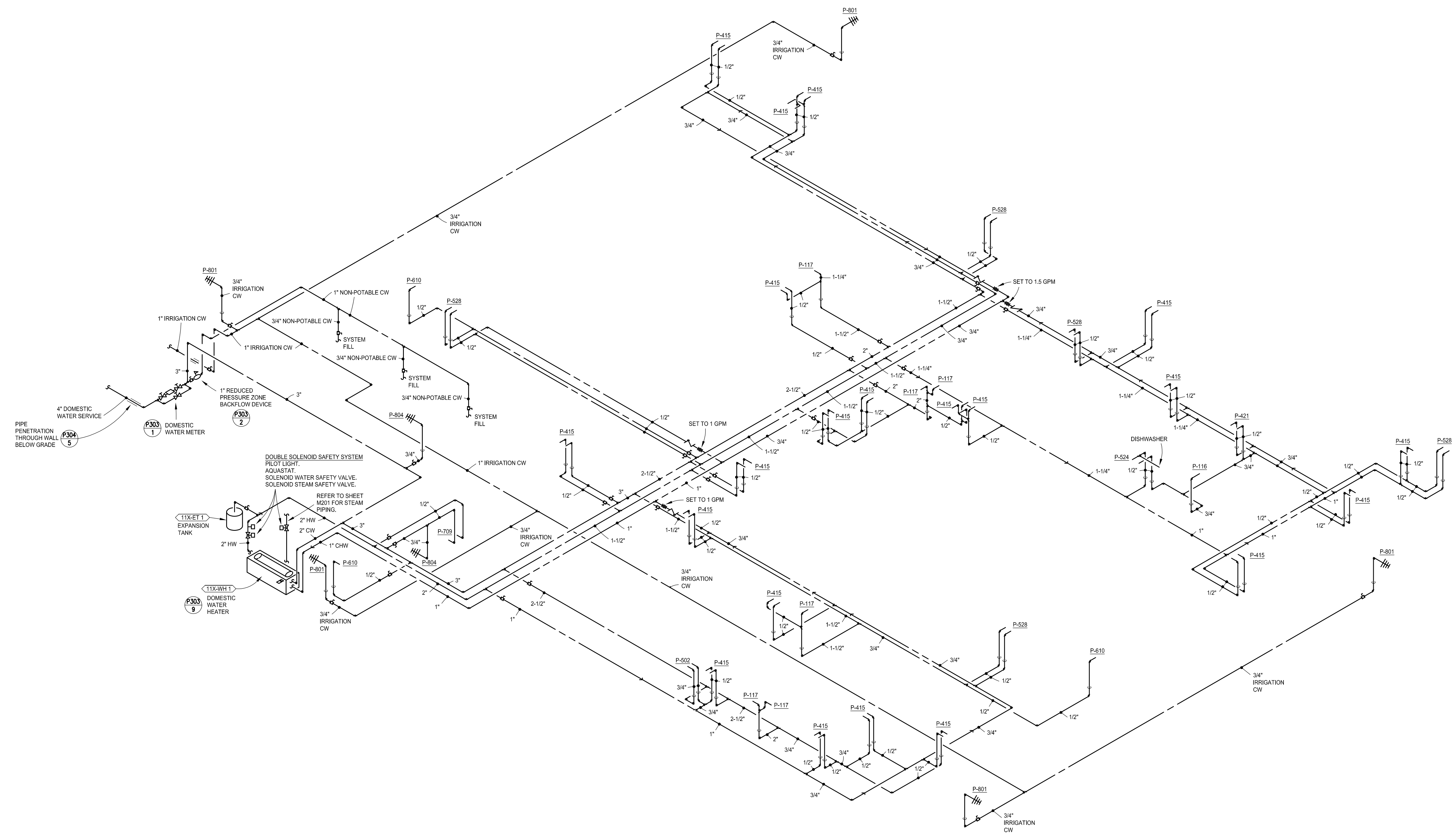
© COPYRIGHT This drawing is the original work product of Architect and none, modification or reproduction of these documents without express written consent of Architect is prohibited. The architect or related services performed or furnished by the Architect for this project are not to be used in any other project without the express written consent of the Architect. The architect or related services performed or furnished by the Architect for this project are not to be used in any other project without the express written consent of the Architect.

APPROVED SERVICE LINE DIRECTOR	DATE	APPROVED INFECTION CONTROL NURSE	DATE
APPROVED GEMS COORDINATOR	DATE	APPROVED PATIENT SAFETY	DATE
APPROVED PROJECTS SECTION MANAGER	DATE	APPROVED CHIEF OF POLICE	DATE
APPROVED DIRECTOR FMS	DATE	APPROVED SAFETY MANAGER	DATE

<b>DRAWING TITLE</b> WASTE AND VENT RISERS			
APPROVED CHIEF OF STAFF	DATE	APPROVED MEDICAL CENTER DIRECTOR	DATE

PROJECT TITLE	DATE
RELOCATE REHAB SERVICES 656-16-277	12/03/2018
ST. CLOUD VA Health Care System	NO SCALE
DRAWING NO.	P301





**Horty Elving™**  
 505 East Grant Street, Minneapolis, MN 55404-1490  
 T 612.332.4422 F 612.344.1282 hortyelving.com

Planning  
 Architecture  
 Engineering  
 Interior Design  
 Construction Management  
 Design Build  
 Horty Elving & Associates, Inc.

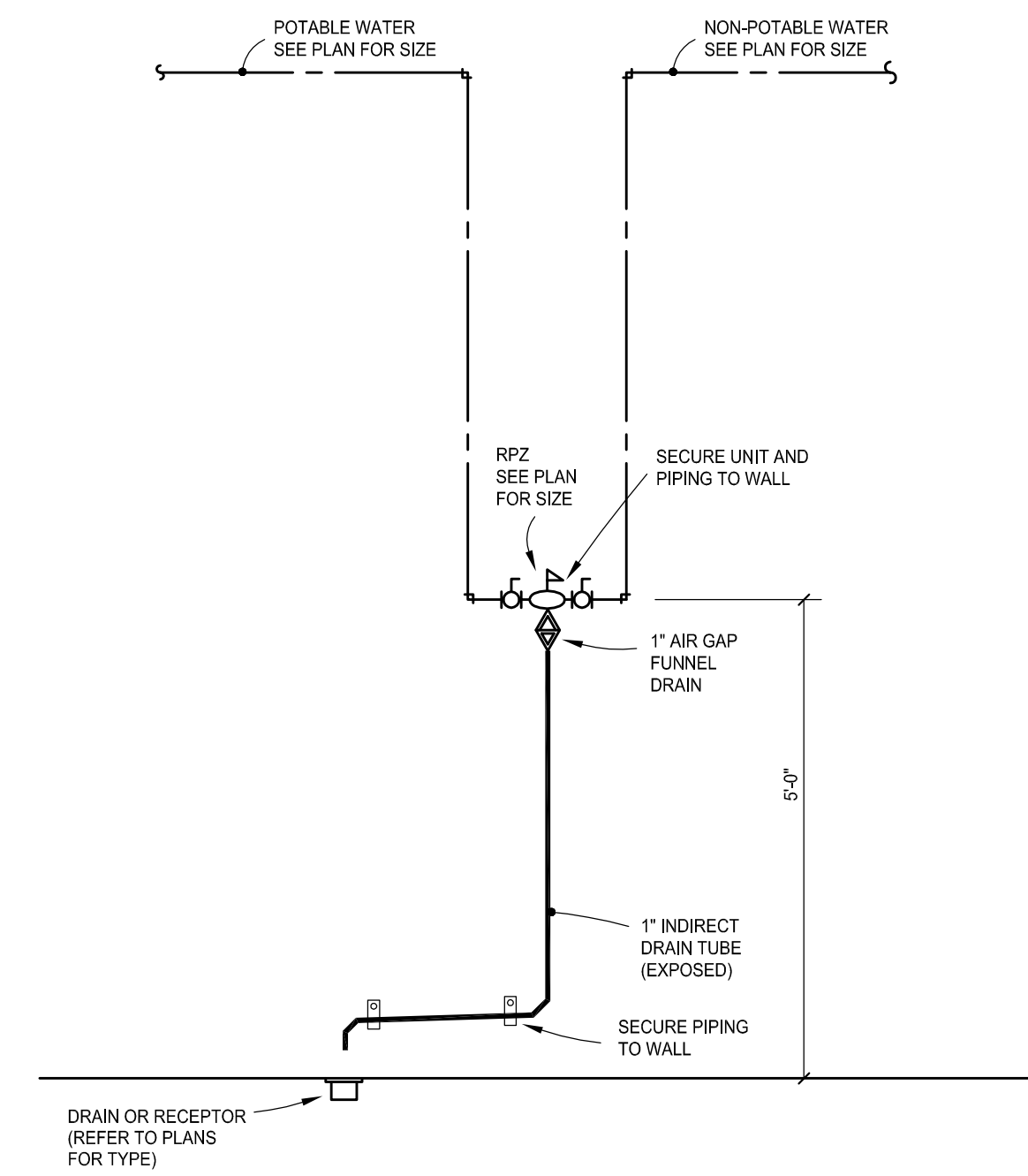
I hereby certify that this plan, specification or report was prepared by me or under my direct supervision and that I am a duly Licensed Professional Engineer under the laws of the State of Minnesota.  
 James C. Elving *James C. Elving* License No. 12852

APPROVED SERVICE LINE DIRECTOR	DATE	APPROVED INFECTION CONTROL NURSE	DATE
APPROVED GEMS COORDINATOR	DATE	APPROVED PATIENT SAFETY	DATE
APPROVED PROJECTS SECTION MANAGER	DATE	APPROVED CHIEF OF POLICE	DATE
APPROVED DIRECTOR FMS	DATE	APPROVED SAFETY MANAGER	DATE

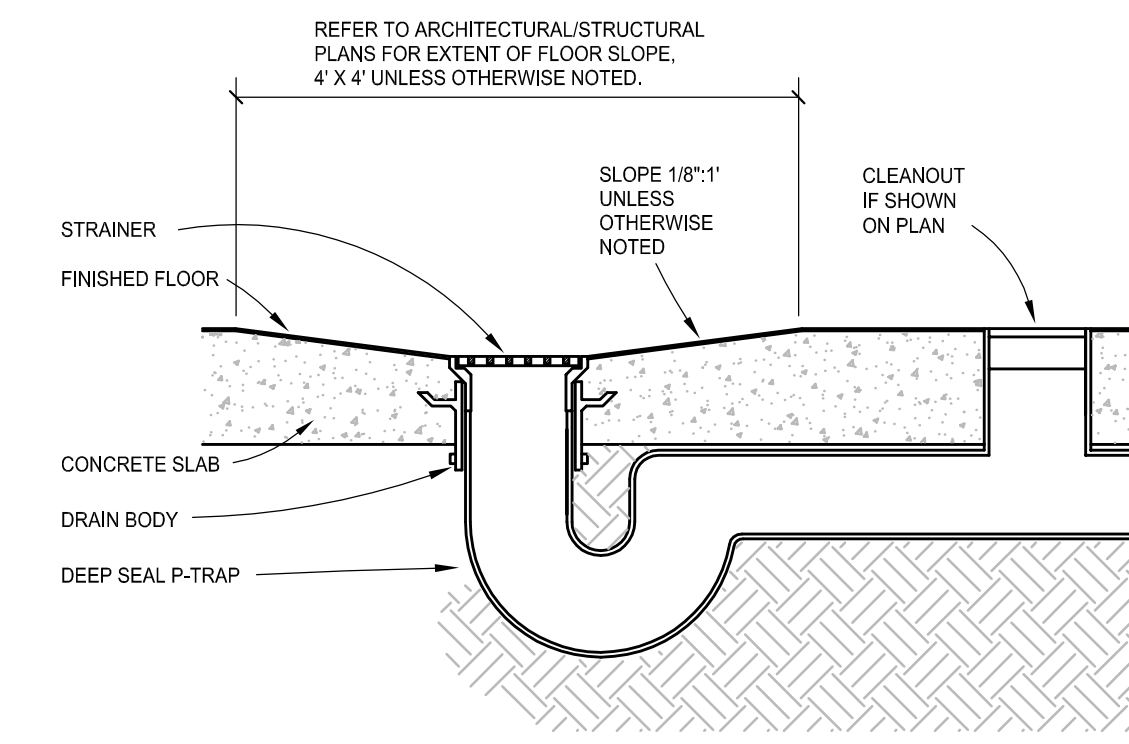
**DRAWING TITLE**  
**DOMESTIC WATER RISERS**

<b>PROJECT TITLE</b> RELOCATE REHAB SERVICES 656-16-277 St. Cloud VA Health Care System	<b>DATE</b> 12/03/2018
<b>DRAWING NO.</b> P302	<b>SCALE</b> NO SCALE
<b>APPROVED CHIEF OF STAFF</b>	<b>DATE</b>
<b>APPROVED MEDICAL CENTER DIRECTOR</b>	<b>DATE</b>



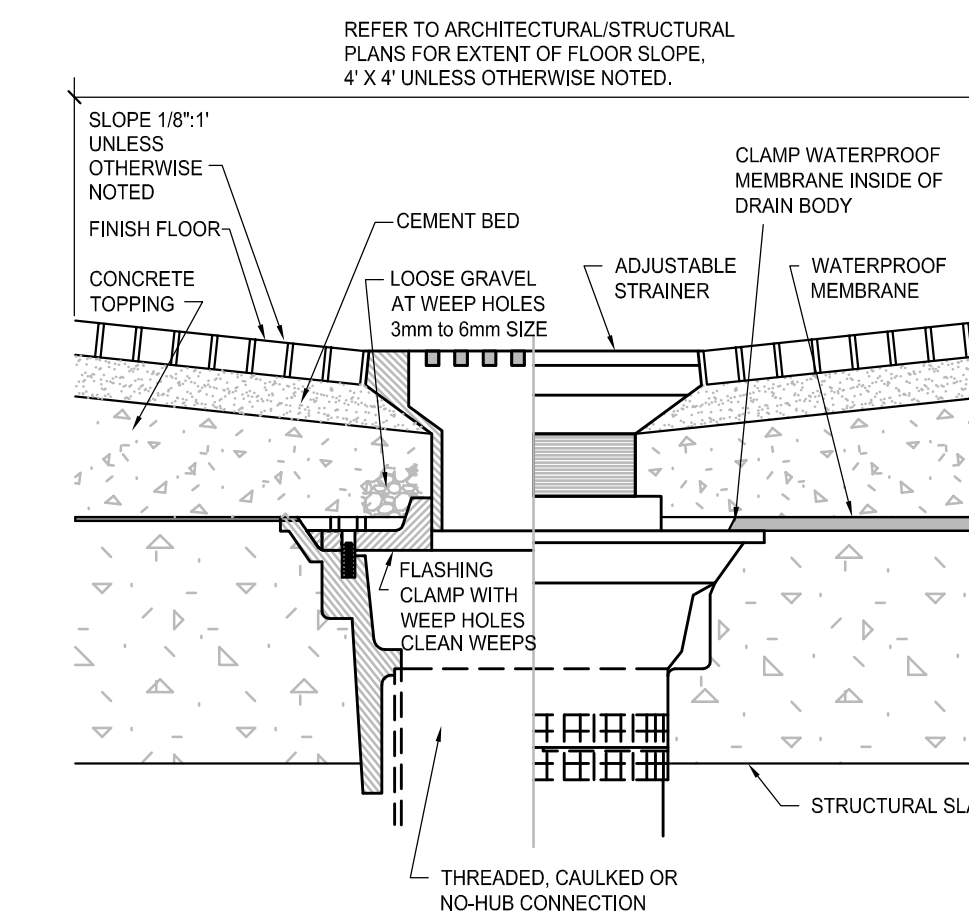


**P303**  
2  
**BACKFLOW PREVENTER INSTALLATION**



\*\*\*THIS IS A TYPICAL DRAIN INSTALLATION DETAIL. VARIATIONS IN FLOOR DRAIN STRAINERS ARE AVAILABLE TO MEET JOB REQUIREMENTS & DIFFERING CONSTRUCTION TECHNIQUES.

**P303**  
3  
**FLOOR DRAIN - BELOW GRADE**



**P303**  
4  
**TYPE "C" FLOOR DRAIN**  
BASED ON VA STANDARD DETAIL: SD221300-03



505 East Grant Street, Minneapolis, MN 55404-1490  
T 612.332.4422 F 612.344.1282 hortyelving.com

Planning  
Architecture  
Engineering  
Interior Design  
Construction Management  
Design Build

Horty Elving & Associates, Inc.

I hereby certify that this plan, specification or report was prepared by me or under my direct supervision and that I am a duly Licensed Professional Engineer under the laws of the State of Minnesota.  
*James C. Elving*  
James C. Elving License No. 12852

© COPYRIGHT This drawing is the copyrighted work product of Architect and owner. Modification or reproduction of these documents without express written consent of Architect is prohibited. The architect or related services performed or furnished by the Architect for this project are provided subject to the care and skill ordinarily exercised by members of the architectural profession practicing under similar circumstances in the same time and in the same locality. Architect makes no warranties, express or implied, in connection with its services.

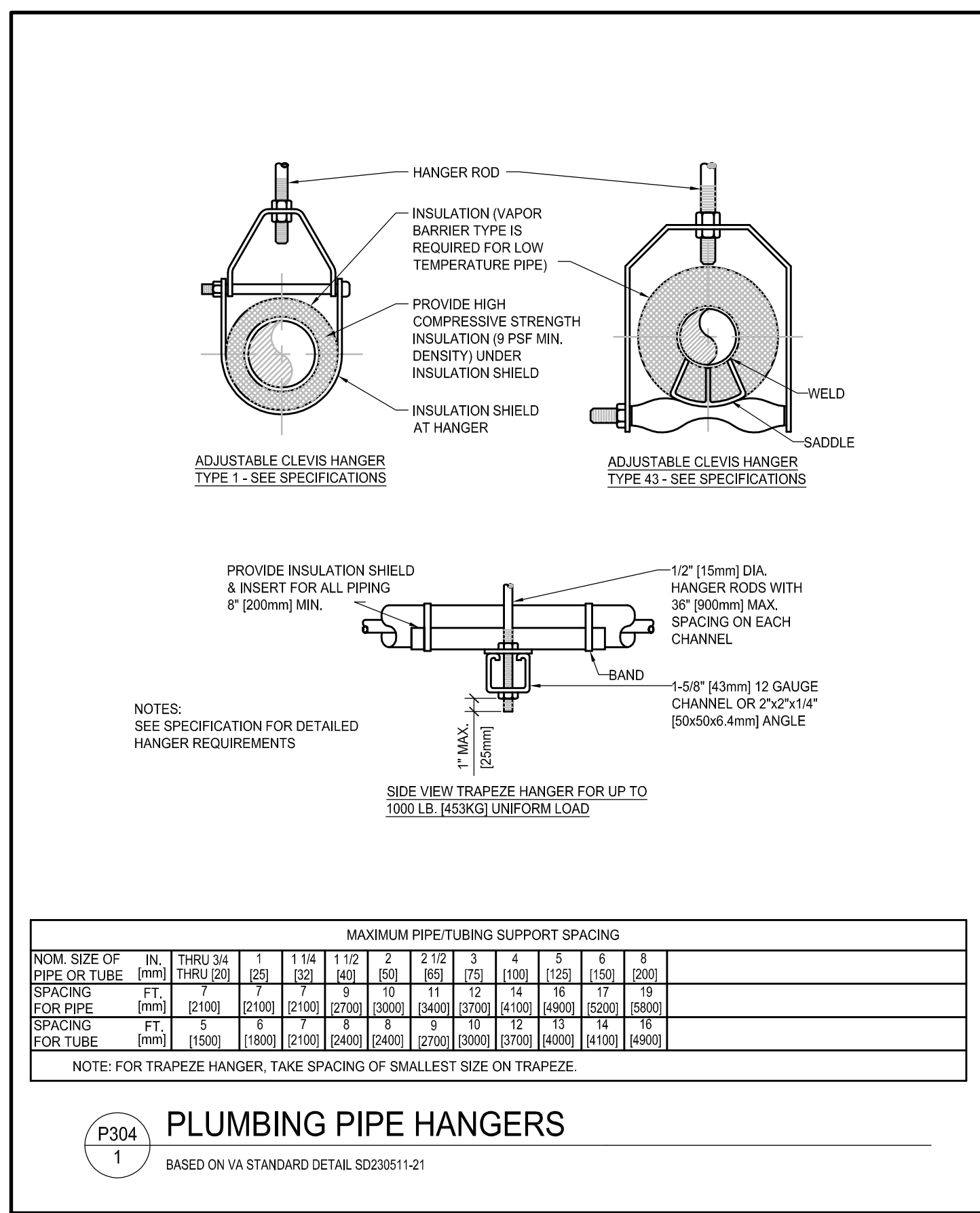
APPROVED: SERVICE LINE DIRECTOR	DATE	APPROVED: INFECTION CONTROL NURSE	DATE
APPROVED: GEMS COORDINATOR	DATE	APPROVED: PATIENT SAFETY	DATE
APPROVED: PROJECTS SECTION MANAGER	DATE	APPROVED: CHIEF OF POLICE	DATE
APPROVED: DIRECTOR FMS	DATE	APPROVED: SAFETY MANAGER	DATE

<b>DRAWING TITLE</b> <b>PLUMBING DETAILS</b>	
APPROVED: CHIEF OF STAFF	DATE
BUILDING NO.	CHECKED BY
XX	XXX
APPROVED: MEDICAL CENTER DIRECTOR	DATE

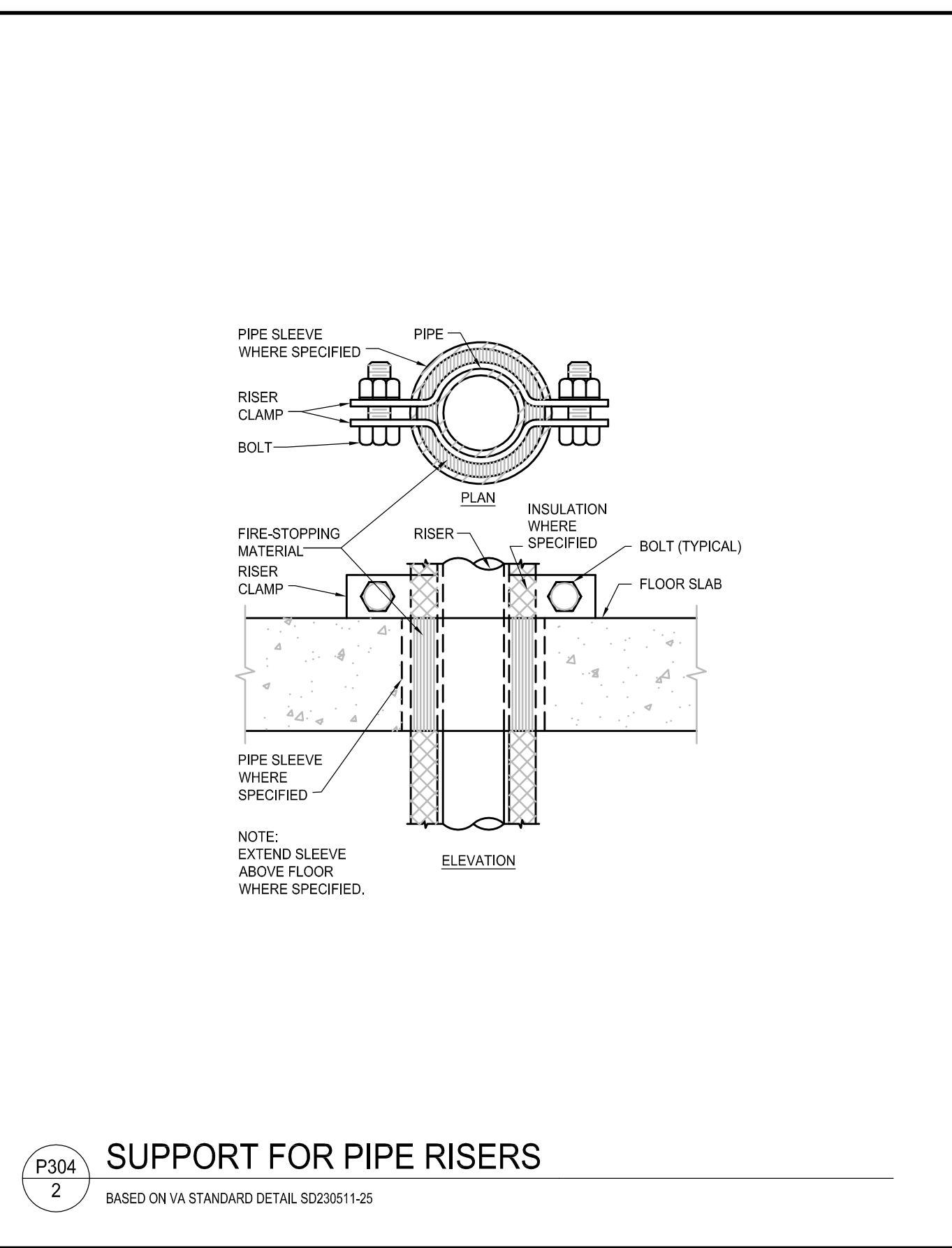
<b>PROJECT TITLE</b> RELOCATE REHAB SERVICES 656-16-277 St. Cloud VA Health Care System	
DATE	12/03/2018
PLANT SCALE	NO SCALE
PROJECT NO.	
LOCATION	VA MEDICAL CENTER ST. CLOUD, MN 56303

DRAWING NO.	P303
-------------	------

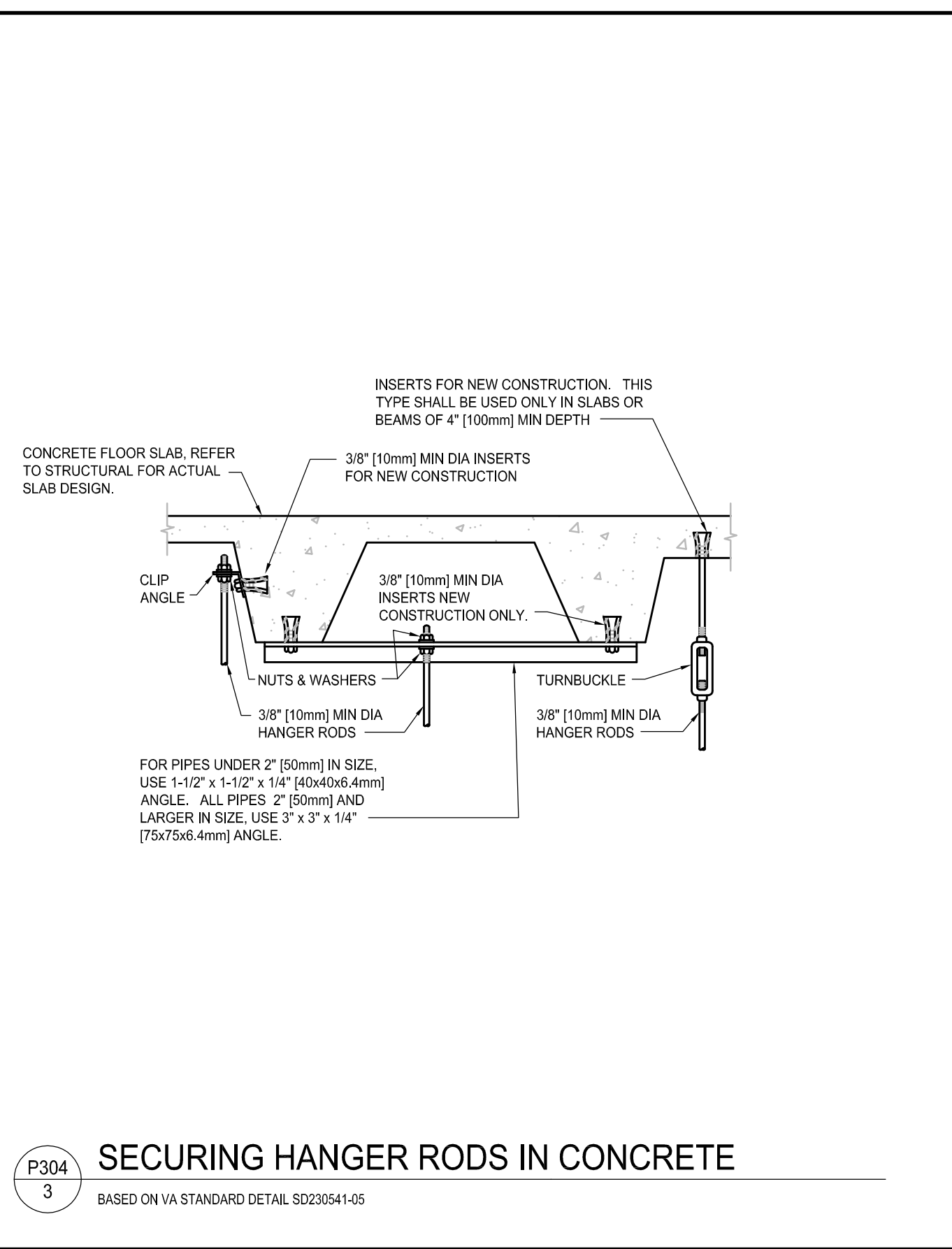




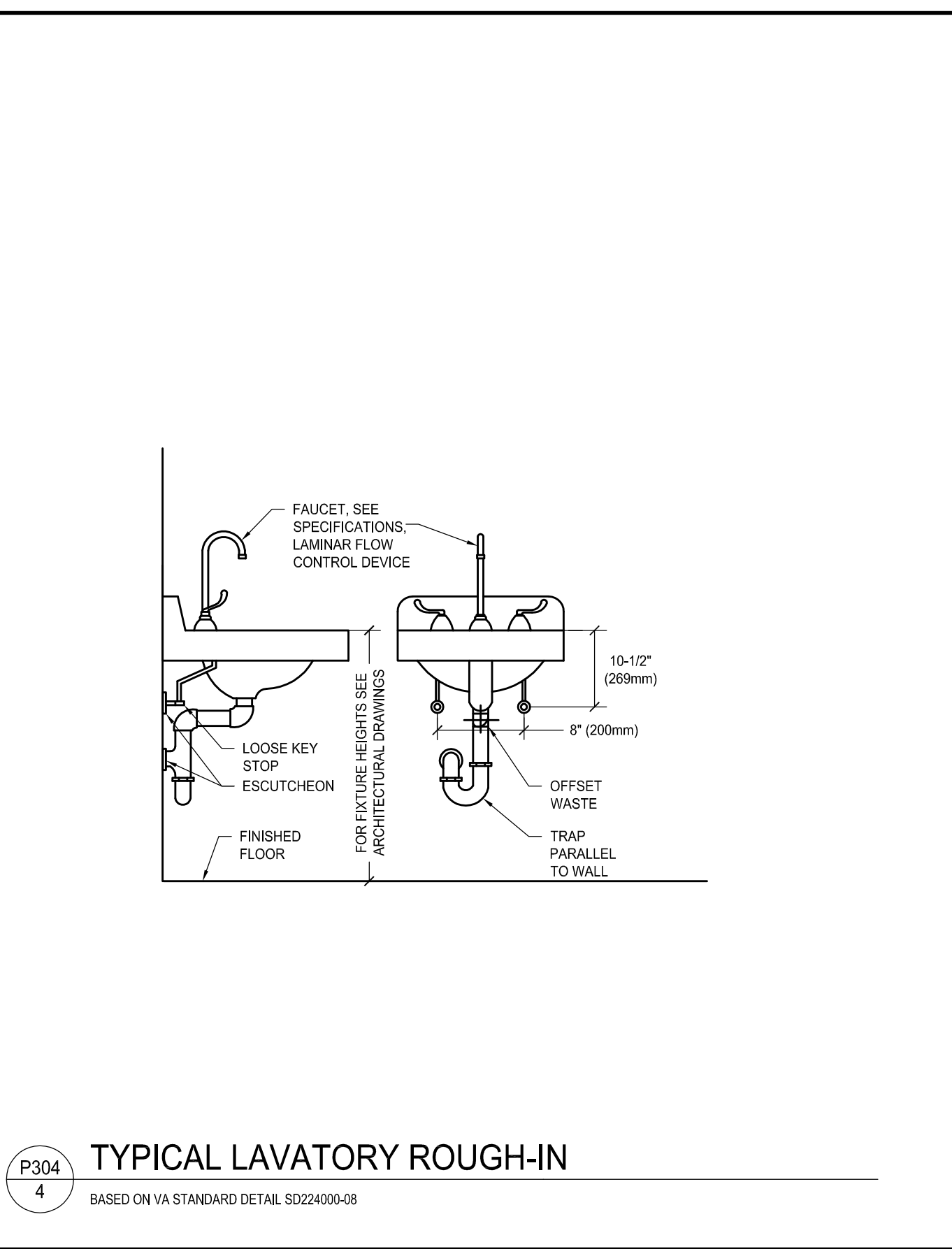
P304  
1 PLUMBING PIPE HANGERS  
BASED ON VA STANDARD DETAIL, SD220511-21



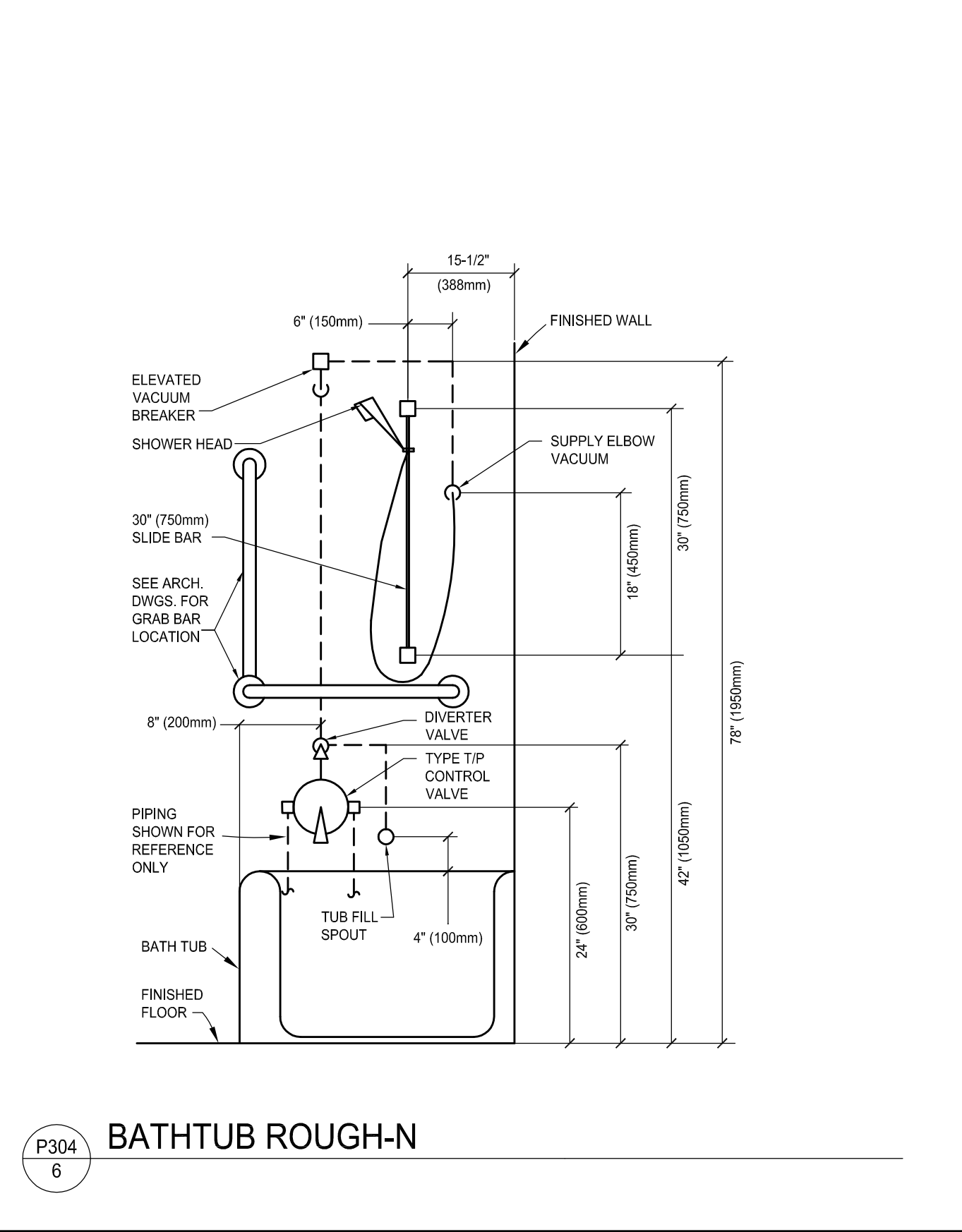
P304  
2 SUPPORT FOR PIPE RISERS  
BASED ON VA STANDARD DETAIL, SD220511-25



P304  
3 SECURING HANGER RODS IN CONCRETE  
BASED ON VA STANDARD DETAIL, SD220514-05



P304  
4 TYPICAL LAVATORY ROUGH-IN  
BASED ON VA STANDARD DETAIL, SD224000-08



P304  
6 BATHTUB ROUGH-IN

No.	REVISION	DATE

**Horty Elving™**  
505 East Grant Street, Minneapolis, MN 55404-1490  
T 612.332.4422 F 612.344.1282 hortyelving.com

Planning  
Architecture  
Engineering  
Interior Design  
Construction Management  
Design Build  
Horty Elving & Associates, Inc.

I hereby certify that this plan, specification or report was prepared by me or under my direct supervision and that I am a duly Licensed Professional Engineer under the laws of the State of Minnesota.  
James C. Elving  
License No. 12852

APPROVED SERVICE LINE DIRECTOR	DATE	APPROVED INFECTION CONTROL NURSE	DATE
APPROVED GEMS COORDINATOR	DATE	APPROVED PATIENT SAFETY	DATE
APPROVED PROJECTS SECTION MANAGER	DATE	APPROVED CHIEF OF POLICE	DATE
APPROVED DIRECTOR FMS	DATE	APPROVED SAFETY MANAGER	DATE

DRAWING TITLE  
**PLUMBING DETAILS**

PROJECT TITLE  
RELOCATE REHAB SERVICES 656-16-277  
St. Cloud VA Health Care System

DATE  
12/03/2018  
PLOT SCALE  
NO SCALE  
PROJECT NO.

APPROVED CHIEF OF STAFF  
DATE  
BUILDING NO. XX  
CHECKED BY  
DRAWN  
XXX

APPROVED MEDICAL CENTER DIRECTOR  
DATE  
LOCATION  
VA MEDICAL CENTER  
ST. CLOUD, MN 56303

DRAWING NO.  
P304

